

INSTALLATION AND OPERATING INSTRUCTIONS

**CONRAC**®

TELEVISION MONITOR

MODEL CQF

875 to 1035 LINES

**CONRAC**

*Covina, California*

COPY

C503	Ceramic Disc, 10,000 pF, 500 V, GMV		DI	R250	Compositi
C504	Paper, 47,000 pF, 20%, 400 V	160P47304	SP	R251	Compositi
C505	Ceramic Disc, 4700 pF, 20%, 500 V		DI	R301	Compositi
C506	Paper, 100,000 pF, 10%, 400 V	67P10494	SP	R302	Wirewoun
C507	Paper, 33,000 pF, 10%, 600 V	73P33396	SP	R303	Compositi
C508	Paper, 47,000 pF, 10%, 600 V	73P47396	SP	R304	Compositi
C509	Paper, 33,000 pF, 10%, 600 V	73P33396	SP	R305	Compositi
C510	Electrolytic, 100 µF, 50 V	30D107G050DH4	SP	R306	Compositi
C511	Electrolytic, 60-40-20 µF, 350 V	UPN10528	CD	R307	Compositi
C512	Paper, 22,000 pF, 10%, 600 V	73P22396	SP	R308	Wirewoun
C514	Ceramic Disc, 4700 pF, 20%, 500 V		DI	R309	Compositi
C517	Electrolytic, 2 µF, 15 V	40D205G015BB4	SP	R310	Compositi
C518	Paper, 220,000 pF, 10%, 400 V	160P22494	SP	R311	Wirewoun
C603	Mica, 1200 pF, 10%, 500 V	CM30C122K	ELM	R312	Wirewoun
C604	Mica, 270 pF, 5%, 500 V	CM20C271J	ELM	R313	Wirewoun
C605	Paper, 10,000 pF, 10%, 600 V	160P10396	SP	R315, R316	Wirewoun
C606	Mica Padder, 65 - 320 pF, 500 V	720017	CONRAC	R401	Compositi
C607	Paper, 100,000 pF, 10%, 600 V	160P10496	SP	R402	Compositi
C608	Paper, 22,000 pF, 10%, 1000 V	160P223910	SP	R403	Compositi
C610, C611	Mica, 500 pF, 30,000 V	DA202TV3	CRL	R404	Compositi
C613	Paper, 27,000 pF, 10%, 600 V (875/945 Operation)	73P27396	SP	R405	Compositi
C613	Paper, 22,000 pF, 10%, 600 V (1029+ Operation)	73P22396	SP	R406	Compositi
C615	Paper, 22,000 pF, 10%, 1000 V	160P223910	SP	R407	Compositi
C616	Ceramic Disc, 10,000 pF, 1600 V	DD16-103	CRL	R408, R409	Compositi
C617	Paper, 47,000 pF, 10%, 1000 V	160P473010	SP	R410	Compositi
				R411, R412	Compositi
				R413	Compositi
				R414	Compositi
				R415	Compositi
				R416	Compositi
				R417	Compositi
				R418, R419	Compositi
				R420	Compositi
				R421, R422	Compositi
				R424	Compositi
				R425	Compositi
				R426	Compositi
				R428	Compositi
				R429	Compositi
				R430	Compositi
				R431, R432	Compositi
				R433	Compositi
				R434	Compositi
				R501	Compositi
				R502	Compositi
				R503	Compositi
				R504	Compositi
				R505	Compositi
				R506	Compositi
				R507	Compositi
				R508	Compositi
				R509	Compositi
				R509A	Compositi
				R510	Compositi
				R511	Compositi
				R512	Compositi
				R513	Compositi
				R514	Compositi
				R515	Compositi
				R519	Compositi
				R520	Compositi
				R521	Compositi
				R522	Compositi
				R523	Compositi
				R605	Compositi
				R606	Compositi
				R607	Compositi
				R608	Compositi
				R609	Compositi
				R610	Compositi
				R610	Compositi
				R611	Compositi
				R612	Compositi
				R613	Compositi

SILICON DIODES

D301 to D304	Silicon Rectifier	1N3255	RCA
D305, D306	Zener, 6.2 V, 5%	1N753A	TI
D307	Silicon Rectifier	1N1613R	RCA
D401	Germanium	1N67A	SYL
D601	Silicon Rectifier	1N3254	RCA
D602	Silicon Rectifier (875 to 945 Lines - See R650)	844021	CONRAC
D603	Silicon Rectifier	SA2782	SEM

COILS

L201	Peaking	790001	CONRAC
L202	Peaking	770130	CONRAC
L203	Peaking	770128	CONRAC
L204 to L206	Peaking	770127	CONRAC
L207	Peaking	770130	CONRAC
L208	Peaking	770129	CONRAC
L209	Peaking	770127	CONRAC
L401	Harmonic Selector (Horizontal Frequency)	770033	CONRAC
L501	Coupling	770098	CONRAC
L601	Deflection Yoke Assembly (CQF14)	994032-1	CONRAC
L601	Deflection Yoke Assembly (CQF17)	994032-2	CONRAC
L601	Deflection Yoke Assembly (CQF21)	994032-3	CONRAC
L602	Harmonic Selector (Horizontal Frequency)	770033	CONRAC
L603	Width	770063	CONRAC
L604	Horizontal Linearity	764001	CONRAC
L605	Dynamic Focus	770121	CONRAC

POTENTIOMETERS

P201	Composition, 500 ohms (Contrast)	928110	CONRAC
P301	Composition, 50,000 ohms (275-Volt Adjustment)	928021	CONRAC
P401	Composition, 500,000 ohms (Brightness)	928211	CONRAC
P402	Wirewound, 1000 ohms (Horizontal Hold)	928209	CONRAC
P501	Composition, 250,000 ohms (Vertical Hold)	928210	CONRAC
P502	Composition, 25,000 ohms (Vertical Feedback)	928159	CONRAC
P503	Composition, 2 megohms (Height)	928158	CONRAC
P504	Wirewound, 1000 ohms (Vertical Linearity)	928209	CONRAC
P505	Composition, 10,000 ohms (Vertical Blanking Width)	928114	CONRAC
P506	Composition, 10,000 ohms (Horizontal Blanking Width)	928114	CONRAC
P601	Composition, 2 megohms (Focus)	928158	CONRAC
P602	Composition, 1 megohm (Ultor Voltage Adjustment)	928020	CONRAC



62103-1

DM10-101K ELM  
 NLH25-15 CD  
 DM19-202K ELM  
 DM10-470J ELM  
 1N916 TI  
 2N3638 TI  
 2N706 RCA

07-1

VCM20B560K ELM  
 160P102916 SP  
 CRK25B271JN SAN  
 73P22396 SP  
 160P223910 SP  
 1N3256 RCA  
 SC6 SEM  
 AB  
 AB  
 AB  
 AB

CD Cornell-Dubilier Electronics Newark, New Jersey 07101  
 CONRAC Conrac Division of Conrac Corporation Covina, California 91722  
 CRL Centralab Milwaukee, Wisconsin 53201  
 DI Dilectron Division, Bestran Corp. Monrovia, California 91016  
 ELM Electro-Motive Manufacturing Co., Inc. Willimantic, Connecticut 06226  
 IRC International Resistance Company Philadelphia, Pennsylvania 19108  
 LC Lectrohm, Incorporated Chicago, Illinois 60630  
 MAL P. R. Mallory & Co., Inc. Indianapolis, Indiana 46206  
 RCA Radio Corporation of America Camden, New Jersey 08102  
 SAN Sangamo Electric Company Pickens, South Carolina 29671  
 SEM Semtech Corporation Newbury Park, California 91320  
 SP Sprague Electric Company North Adams, Massachusetts 01248  
 SYL Sylvania Electric Products Seneca Falls, New York 13148  
 TI Texas Instruments, Inc. Dallas, Texas 75080  
 TO Tru-Ohm Products, Division of MEMCOR Chicago, Illinois 60618  
~~RT Resistors Products Company Harrisburg, Pennsylvania 17104~~  
 SAN Sangamo Electric Company Pickens, South Carolina 29671  
 SEM Semtech Corporation Newbury Park, California 91320  
 SP Sprague Electric Company North Adams, Massachusetts 01248  
 SYL Sylvania Electric Products Seneca Falls, New York 13148  
 TI Texas Instruments, Inc. Dallas, Texas 75080  
 TO Tru-Ohm Products, Division of MEMCOR Chicago, Illinois 60618

**VOLTAGE TABLE**

Voltage Measured To Chassis With 20,000 Ohms Per Volt Meter  
 Normal Picture Line Voltage 120 Volts, 60 Hz  
 DC Restorer in OUT Position

PIN	1	2	3	4	5	6	7	8	9
V201/12AT7	250	0.1	5.8	6.1	6.1	250	0.1	5.8	G
V202/6GM6	0.1	2.4	G	6.1	128	135	G		
V203/6GM6	0.1	2.5	G	6.1	124	130	G		
V204/6GM6	0.1	2.5	Fil	G	120	127	G		
V205/12BY7	3	0	0	Fil	Fil	G	250	160	G
V206/12BY7	9	1.4	0	Fil	Fil	G	230	160	G
V207/12BY7	9	1.4	0	Fil	Fil	G	230	160	G
V301/6080	250	400	275	250	400	275	275	275	
V302/6AU6	104	107	Fil	G	250	270	107		
V303/5651A	87	0	0	0	87	0	0		
V401/6AM8	0.9	0	80	Fil	G	220	125	80 to 150 <sup>a</sup>	G
V402/6BY6	-0.3	G	Fil	G	32	18	-20		
V403/12AU7	260	0	15	Fil	Fil	275	0	24	G
V404/6AL5	10	-6	G	Fil	0 to 2.7 <sup>b</sup>	G	0 to 2.7 <sup>b</sup>		
V405/12AT7	35 to 80 <sup>c</sup>	-3	0.2	Fil	Fil	160	0	34	G
V501/6CG7	80	0.9	3.5	Fil	G	70	-17	3.5	G
V502/6AQ5	0	16 to 26 <sup>d</sup>	Fil	G	260	275	0		
V503/6AW8	0	0	0	Fil	G	G	-4.5	155	127
V601/6CG7	150	-3.5	9.5	Fil	G	227	2	9.5	G
V602/6JB6	160	-40	G	G	Fil	-40	160	G	0
V603/1B3	DO NOT MEASURE								
V604/6BK4	275	275	275	275	260	275	275	275	
V606/1B3	DO NOT MEASURE								

Kinescope Socket: Pin 1 - G  
 Pin 2 - 0 to 95<sup>f</sup>  
 Pin 6 - 20 to 460<sup>g</sup>  
 Pin 10 - 350  
 Pin 11 - 80 to 150<sup>a</sup>  
 Pin 12 - Fil

a Varies with brightness and contrast setting  
 b Varies with horizontal hold setting  
 c Varies with vertical height setting  
 d Varies with vertical linearity setting  
 e Pulses present -- DO NOT MEASURE  
 f Varies with brightness setting  
 g Varies with focus setting

ORDER

ac #987020

## REPLACEABLE PARTS

SYMBOL	DESCRIPTION	MFR.*
<b>CAPACITORS</b>		
C201	Paper, 100,000 pF, 10%, 400 V	220P10494 SP
C202	Electrolytic, 40-40-40-40 μF, 350 V	TVL4635.3 CD
C203	Paper Mylar, 47,000 pF, 10%, 600 V	WMF6547 CD
C204	Mica, 82 pF, 5%, 500 V	DM10-820J ELM
C205	Paper, 100,000 pF, 10%, 400 V	220P10494 SP
C206	Mica, 82 pF, 5%, 500 V	DM10-820J ELM
C207	Electrolytic, 250 μF, 12 V	30D257G012DF4 SP
C208	Mica, 33 pF, 5%, 500 V	CM20C330J ELM
C209	Paper Mylar, 47,000 pF, 10%, 600 V	WMF6547 CD
C211	Trimmer, 16 - 150 pF	PC424 ELM
C212	Paper, 100,000 pF, 10%, 400 V	220P10494 SP
C214	Trimmer, 70 - 350 pF	428 ELM
C217	Paper Mylar, 47,000 pF, 10%, 600 V	WMF6547 CD
C218	Trimmer, 70 - 350 pF	428 ELM
C219	Mica, 120 pF, 5%, 500 V	CM20C121J ELM
C220	Paper Mylar, 220,000 pF, 10%, 400 V	4DP-5-224 ELM
C301	Ceramic Disc, 4700 pF, 1400 V, GMV	DI
C302	Electrolytic, 80 μF, 450 V	UPE-8045 CD
C303	Paper, 10,000 pF, 10%, 600 V	160P10396 SP
C304	Electrolytic, 100 - 100 μF, 350 V	FP227-7A MAL
C305	Electrolytic, 160-10 μF, 350 V	UPT-16135 CD
C306	Electrolytic, 250 μF, 25 V	BR250-25 CD
C307	Electrolytic, 5000 μF, 10 V	39D508G010HP4 SP
C401	Paper, 47,000 pF, 20%, 400 V	160P47304 SP
C402	Paper, 6800 pF, 10%, 600 V	160P68296 SP
C403	Ceramic Disc, 3300 pF, 20%, 500 V	DI
C404	Paper, 100,000 pF, 10%, 200 V	160P10492 SP
C405	Paper, 10,000 pF, 10%, 600 V	160P10396 SP
C406	Paper, 47,000 pF, 10%, 600 V	73P47396 SP
C408	Paper, 100,000 pF, 10%, 400 V	67P10494 SP
C410, C411	Mica, 1000 pF, 10%, 500 V	CM20C102K ELM
C412	Paper, 4700 pF, 10%, 600 V	160P47296 SP
C413	Paper, 470,000 pF, 10%, 200 V	160P47492 SP
C414	Paper, 47,000 pF, 10%, 600 V (Normal)	73P47396 SP
C414	Paper, 5000 pF, 10%, 600 V (Horiz. Fast Time-Constant)	160P50296 SP
C415	Paper, 22,000 pF, 20%, 400 V	160P22304 SP
C416	Mica, 100 pF, 5%, 2500 V	VSCM20C101J ELM
C417	Mica, 390 pF, 5%, 500 V	CM20C391J ELM
C418	Paper, 100,000 pF, 10%, 400 V	67P10494 SP
C501	Mica, 100 pF, 20%, 500 V	CM20B101M ELM
C502	Paper, 33,000 pF, 10%, 600 V	73P33396 SP
C503	Ceramic Disc, 10,000 pF, 500 V, GMV	DI
C504	Paper, 47,000 pF, 20%, 400 V	160P47304 SP
C505	Ceramic Disc, 4700 pF, 20%, 500 V	DI
C506	Paper, 100,000 pF, 10%, 400 V	67P10494 SP
C507	Paper, 33,000 pF, 10%, 600 V	73P33396 SP
C508	Paper, 47,000 pF, 10%, 600 V	73P47396 SP
C509	Paper, 33,000 pF, 10%, 600 V	73P33396 SP
C510	Electrolytic, 100 μF, 50 V	30D107G050DH4 SP
C511	Electrolytic, 60-40-20 μF, 350 V	UPN10528 CD
C512	Paper, 22,000 pF, 10%, 600 V	73P22396 SP
C514	Ceramic Disc, 4700 pF, 20%, 500 V	DI
C517	Electrolytic, 2 μF, 15 V	40D205G015BB4 SP
C518	Paper, 220,000 pF, 10%, 400 V	160P22494 SP
C603	Mica, 1200 pF, 10%, 500 V	CM30C122K ELM
C604	Mica, 270 pF, 5%, 500 V	CM20C271J ELM
C605	Paper, 10,000 pF, 10%, 600 V	160P10396 SP
C606	Mica Padder, 65 - 320 pF, 500 V	720017 CONRAC
C607	Paper, 100,000 pF, 10%, 600 V	160P10496 SP
C608	Paper, 22,000 pF, 10%, 1000 V	160P223910 SP
C610, C611	Mica, 500 pF, 30,000 V	DA202TV3 CRL
C613	Paper, 27,000 pF, 10%, 600 V (875/945 Operation)	73P27396 SP
C613	Paper, 22,000 pF, 10%, 600 V (1029+ Operation)	73P22396 SP
C615	Paper, 22,000 pF, 10%, 1000 V	160P223910 SP
C616	Ceramic Disc, 10,000 pF, 1600 V	DD16-103 CRL
C617	Paper, 47,000 pF, 10%, 1000 V	160P473010 SP

### SILICON DIODES

D301 to D304 Silicon Rectifier

1N3255

RCA

SYMBOL	DESCRIPTION
<b>RESISTORS</b>	
R201	Composition, 75 ohms,
R202	Composition, 1 megohm
R203	Composition, 240 ohms
R204	Composition, 470 ohms
R205	Composition, 4700 ohms
R206, R208	Composition, 47 ohms,
R209	Composition, 1800 ohms
R210	Composition, 470,000
R211	Composition, 68 ohms,
R212	Composition, 100 ohms
R213	Composition, 560 ohms
R214	Wirewound, 10,000 ohms
R215	Composition, 100 ohms
R216	Composition, 470,000
R217	Composition, 47 ohms,
R218	Composition, 1000 ohms
R219	Composition, 68 ohms,
R220	Composition, 100 ohms
R221	Composition, 680 ohms
R222	Wirewound, 10,000 ohms
R223	Composition, 100 ohms
R224	Composition, 47 ohms,
R225	Composition, 470,000
R227	Composition, 68 ohms,
R228	Composition, 100 ohms
R229	Composition, 680 ohms
R230	Wirewound, 10,000 ohms
R231	Composition, 100 ohms
R232	Composition, 47 ohms,
R233	Composition, 2200 ohms
R234	Composition, 100 ohms
R235	Composition, 470 ohms
R236	Composition, 1000 ohms
R237	Composition, 910 ohms
R239, R240	Composition, 47 ohms,
R241	Composition, 470,000
R242	Composition, 100 ohms
R243	Composition, 39 ohms
R244, R245	Composition, 47 ohms
R246	Composition, 1300 ohms
R247	Composition, 1000 ohms
R248	Wirewound, 1200 ohms
R249	Composition, 1300 ohms
R250	Composition, 1000 ohms
R251	Composition, 470,000
R301	Composition, 20,000
R302	Wirewound, 10 ohms,
R303	Composition, 100,000
R304	Composition, 100,000
R305	Composition, 120,000
R306	Composition, 150 ohms
R307	Composition, 170,000
R308	Wirewound, 1250 ohms
R309	Composition, 180,000
R310	Composition, 8,000 ohms
R311	Wirewound, 300 ohms
R312	Wirewound, 15,000 ohms
R313	Wirewound, 120 ohms
R315, R316	Wirewound, 300 ohms
R401	Composition, 470,000
R402	Composition, 11,000 ohms
R403	Composition, 1 megohm
R404	Composition, 50 ohms
R405	Composition, 180,000
R406	Composition, 10,000 ohms
R407	Composition, 9,000 ohms
R408, R409	Composition, 700 ohms
R410	Composition, .2 megohm
R411, R412	Composition, 80,000
R413	Composition, 600 ohms
R414	Composition, megohm
R415	Composition, 9,000 ohms
R416	Composition, .2 megohm
R417	Composition, 90 ohms
R418, R419	Composition, 470 ohms



PART NO.	MFR. *	SYMBOL	DESCRIPTION	PART NO.	MFR. *
<u>Miscellaneous</u>					
	AB		Cap: Socket (1B3)	269002	CONRAC
	AB		Cap: Yoke and Centering Magnet	609007	CONRAC
	AB		Connector: AC Fan	886040	CONRAC
	AB		Connector: AC Receptacle, 2 Contact	886009	CONRAC
	AB		Connector: Anode (Neoprene and Button)	886060/349021	CONRAC
	AB		Connector: Power Cord Adapter	886059	CONRAC
	AB	J201, J202	Connector: UHF Receptacle	886028	CONRAC
	AB	J301	Connector: Nylon Tip	886021	CONRAC
	AB	J401, J402	Connector: UHF Receptacle	886028	CONRAC
	AB	PL601	Connector: Yoke Plug	886012	CONRAC
	AB		Cord: Fan, 14"	987013-2	CONRAC
	AB		Cord: Line	987013-3	CONRAC
3 D602)	RP		Fan: Boxer	844026	CONRAC
			Feet: Cabinet (CQF14 and CQF17)	314003	CONRAC
			Feet: Cabinet (CQF21)	314002	CONRAC
965035	CONRAC	F301	Fuse: 3 Amperes, Slo-Blo (120-Volt Operation)	209035	CONRAC
965041	CONRAC	F301	Fuse: 1½ Amperes, Slo-Blo (240-Volt Operation)	209025	CONRAC
782016	CONRAC	F601	Fuse: 3/10 Ampere, Slo-Blo, Type MDL	209010	CONRAC
783001	CONRAC		Glass: Safety, Clear (CQF14)	335021-2	CONRAC
			Glass: Safety, Clear (CQF17)	335021-3	CONRAC
			Glass: Safety, Clear (CQF21)	335021-4	CONRAC
			Handle: Cabinet	361038	CONRAC
			Holder: Fuse	935030	CONRAC
			Knob: Control, Black	361026-1	CONRAC
			Knob: Control Panel Cover	344503	CONRAC
			Mask (CQF14)	390008	CONRAC
			Mask (CQF17)	390031	CONRAC
			Mask (CQF21)	390032	CONRAC
			Socket: High Voltage (1B3)	938001	CONRAC
			Socket: Novar, 9 Pin	935008	CONRAC
		J601	Socket: Yoke	935024	CONRAC
		S201	Switch: Slide D. P. D. T.	950036-1	CONRAC
		S301	Switch: Toggle D. P. S. T.	950033	CONRAC
		S401, S402	Switch: Slide D. P. D. T.	950036-1	CONRAC
NLH25-15	CD				
WMF1P22	CD				
DM10-470J	ELM				
1N916	TI				
2N3638	TI				
2N706	RCA				

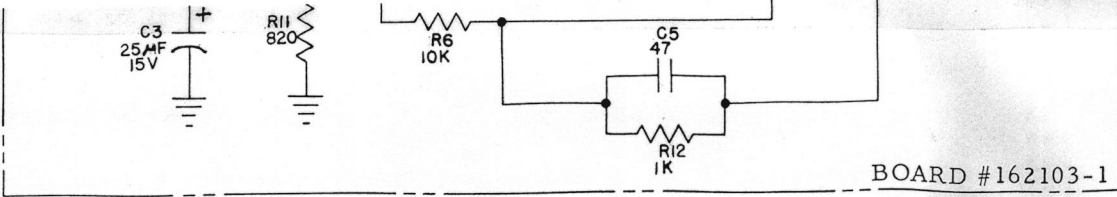
### MANUFACTURERS OF REPLACEABLE PARTS

	*CODE	MANUFACTURER	LOCATION
AB	AB	Allen-Bradley Company	Milwaukee, Wisconsin 53204
AB	CD	Cornell-Dubilier Electronics	Newark, New Jersey 07101
AB	CONRAC	Conrac Division of Conrac Corporation	Covina, California 91722
AB	CRL	Centralab	Milwaukee, Wisconsin 53201
AB	DI	Dilectron Division, Bestran Corp.	Monrovia, California 91016
AB	ELM	Electro-Motive Manufacturing Co., Inc.	Willimantic, Connecticut 06226
AB	IRC	International Resistance Company	Philadelphia, Pennsylvania 19108
	LC	Lectrohm, Incorporated	Chicago, Illinois 60630
	MAL	P. R. Mallory & Co., Inc.	Indianapolis, Indiana 46206
	RCA	Radio Corporation of America	Camden, New Jersey 08102
DM10-101K	ELM	Sangamo Electric Company	Pickens, South Carolina 29671
NLH25-15	CD	Semtech Corporation	Newbury Park, California 91320
DM19-202K	ELM	Sprague Electric Company	North Adams, Massachusetts 01248
DM10-470J	ELM	Sylvania Electric Products	Seneca Falls, New York 13148
	TI	Texas Instruments, Inc.	Dallas, Texas 75080
	TO	Tru-Ohm Products, Division of MEMCOR	Chicago, Illinois 60618
1N916	TI	Resistance Products Company	Harrisburg, Pennsylvania 17104
2N3638	TI	Sangamo Electric Company	Pickens, South Carolina 29671
2N706	RCA	Semtech Corporation	Newbury Park, California 91320
	SP	Sprague Electric Company	North Adams, Massachusetts 01248
	SYL	Sylvania Electric Products	Seneca Falls, New York 13148
	TI	Texas Instruments, Inc.	Dallas, Texas 75080
	TO	Tru-Ohm Products, Division of MEMCOR	Chicago, Illinois 60618

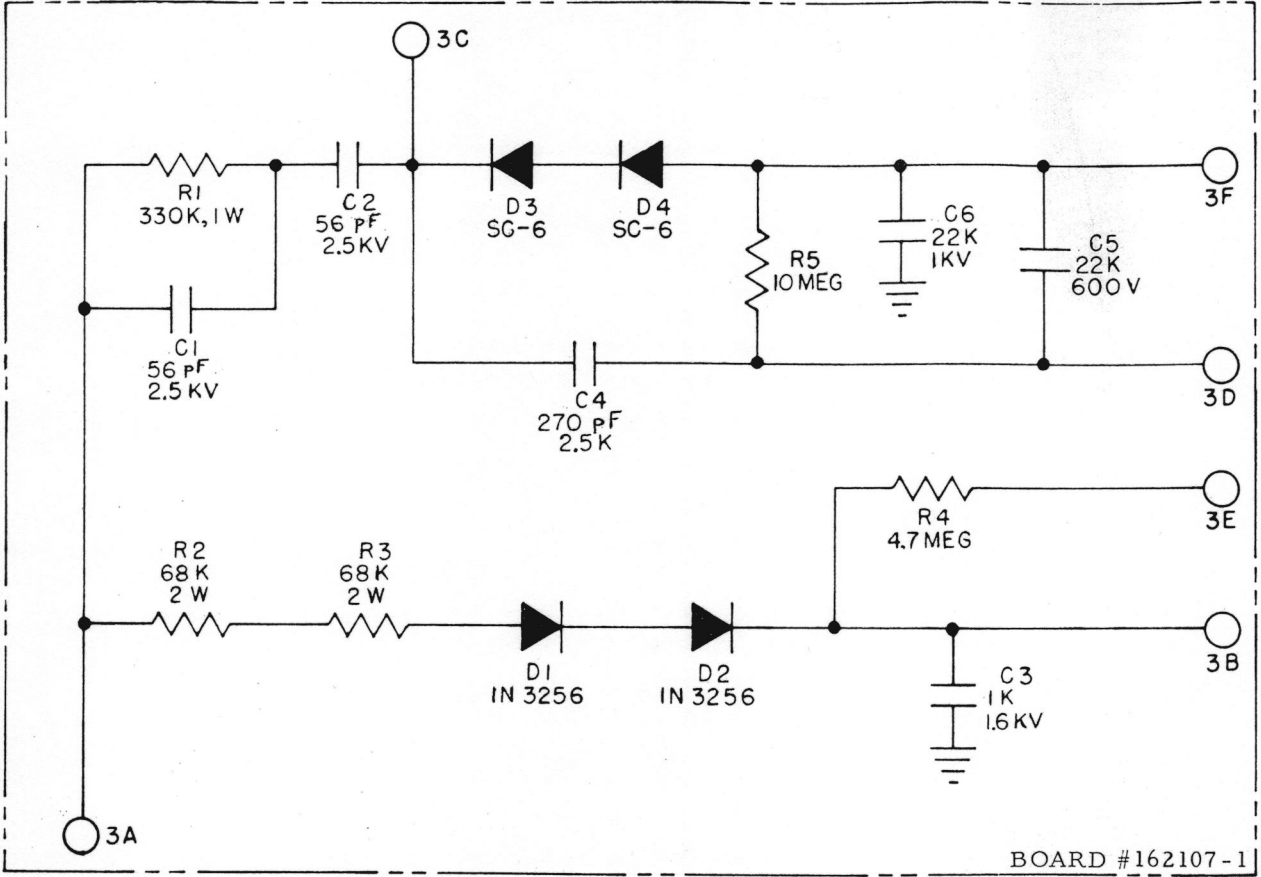
### VOLTAGE TABLE

Voltage Measured To Chassis With 20,000 Ohms Per Volt Meter  
Normal Picture Line Voltage 120 Volts, 60 Hz  
DC Restorer in OUT Position

PIN	1	2	3	4	5	6	7	8	9
V201/12AT7	250	0	50	0	0	0	0	0	0



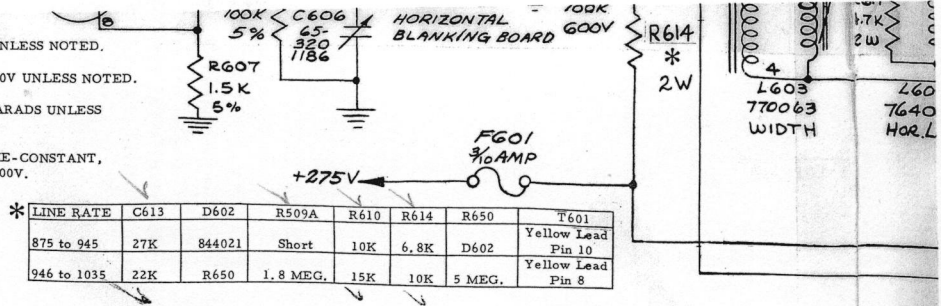
<b>CONRAC</b> DIVISION		
SCHEMATIC HORIZONTAL BLANKING		
DATE: 9-20-65	452173	B
APPROVED BY:		



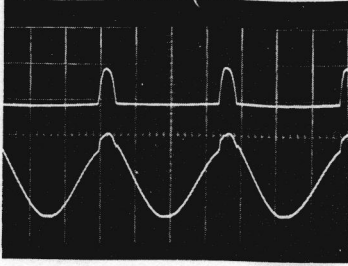
<b>CONRAC</b> DIVISION		
SCHEMATIC DYNAMIC FOCUS		
DATE: 9-20-65	452174	A
APPROVED BY:		



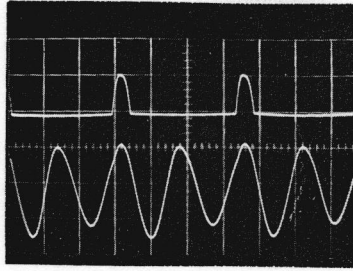
- NOTES:
1. ALL RESISTORS  $\frac{1}{2}$  W, 10%, UNLESS NOTED.
  2. ALL PAPER CAPACITORS 400V UNLESS NOTED.
  3. ALL CAPACITORS IN PICOFARADS UNLESS OTHERWISE NOTED.
  4. FOR FAST HORIZONTAL TIME-CONSTANT, CHANGE C414 TO 5K, 10%, 600V.



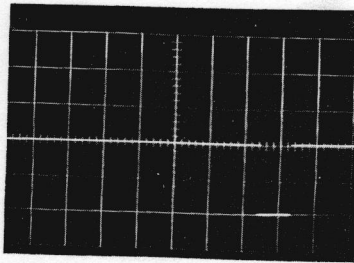
REPRESENTATIVE WAVEFORMS



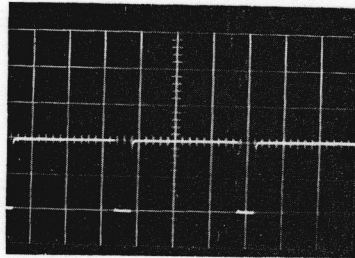
(1)  
Top View: Horizontal Reference Pulse  
Bottom View: Dynamic Focus Parabola  
100 Volts/div.  
Scope Connected at Pin 6 of Kinescope



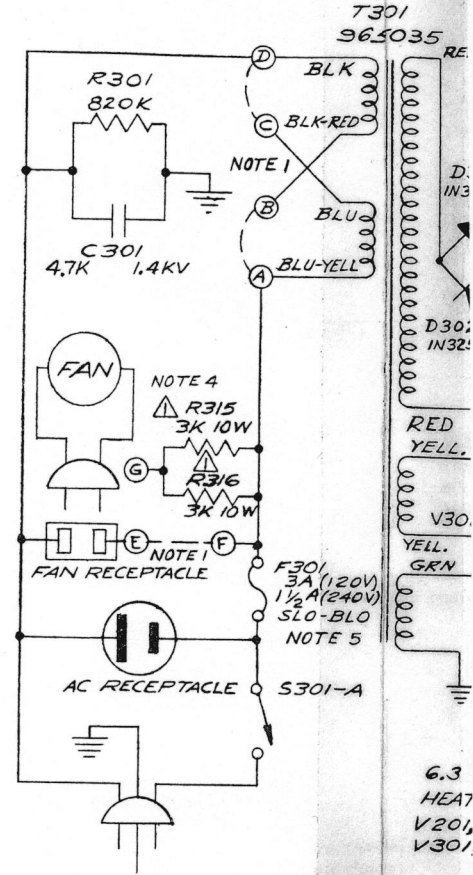
(2)  
Top View: Horizontal Reference Pulse  
Bottom View: Interlace Waveform  
50 Volts/div.  
Scope Connected at Pin 7, V405A



(3)  
Vertical Blanking 50 Volts/div.  
Scope Connected at Pin 2 of Kinescope

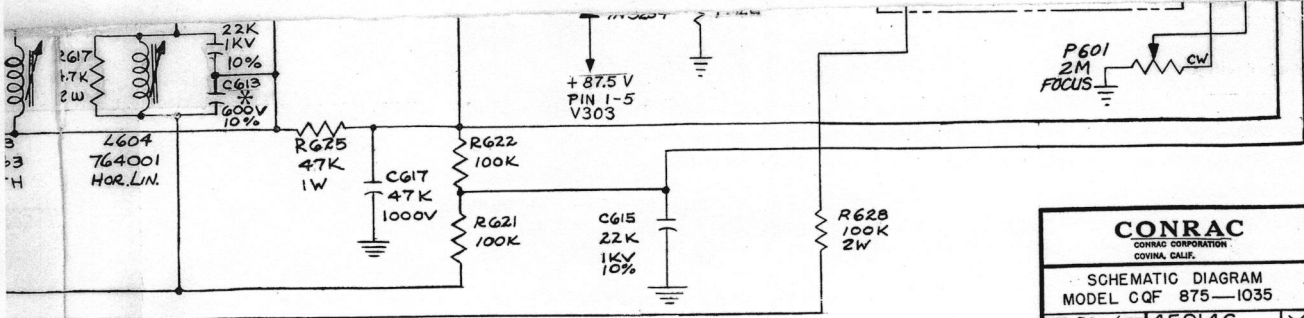


(4)  
Horizontal Blanking 50 Volts/div.  
Scope Connected at Pin 2 of Kinescope

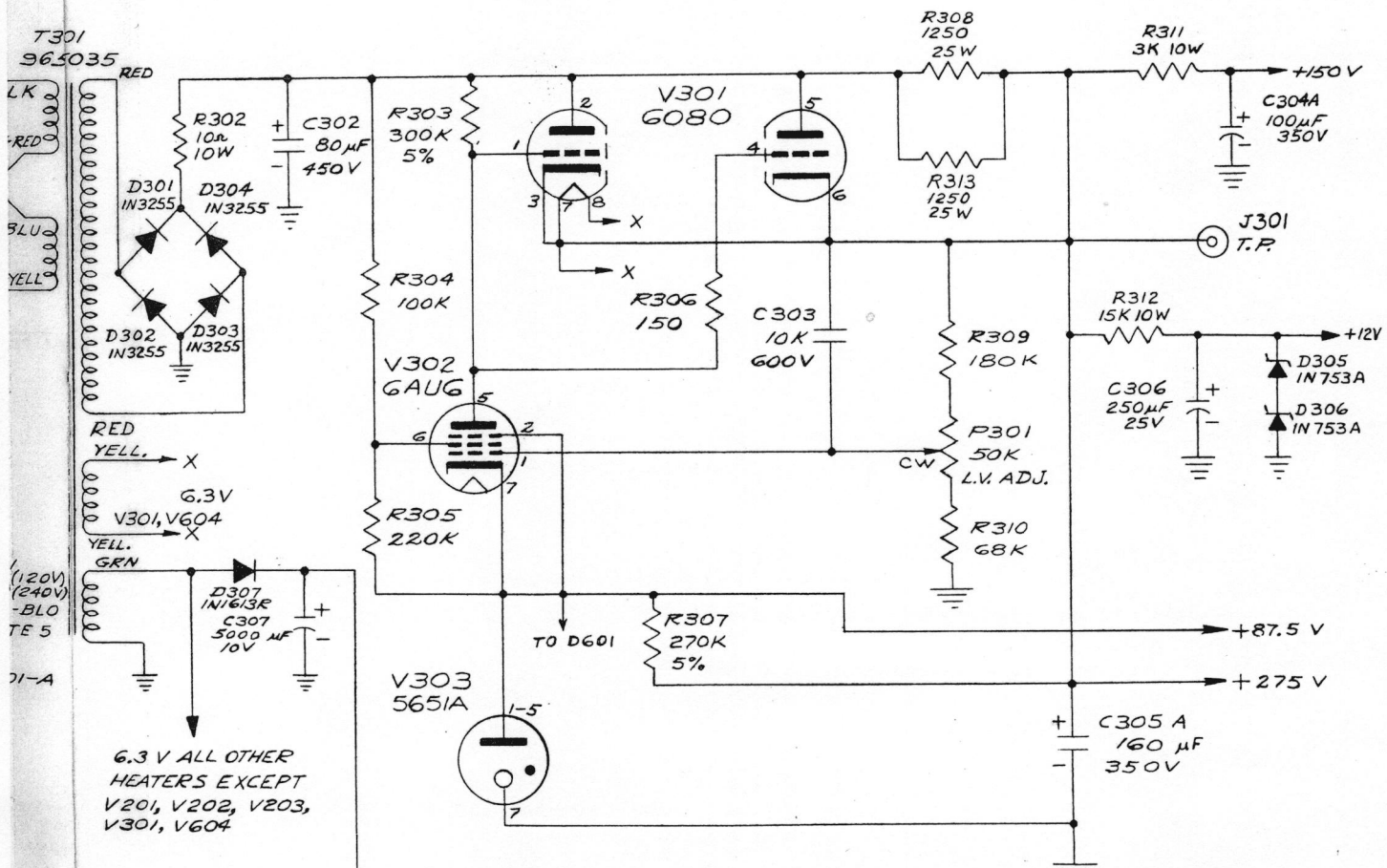


NOTES:

1. 120 VOLTS STRAP A TO B, 240 VOLTS STRAP B TO C &
2. ALL RESISTORS  $\frac{1}{2}$  W, 10%, L
3. ALL PAPER CAPACITORS 40V
4.  $\Delta$  RESISTORS R315 AND R316 SU 240 VOLT OPERATION IS FACTO
5. FOR 240V OPERATION, USE 1
6. ALL CAPACITORS IN PICO FARADS

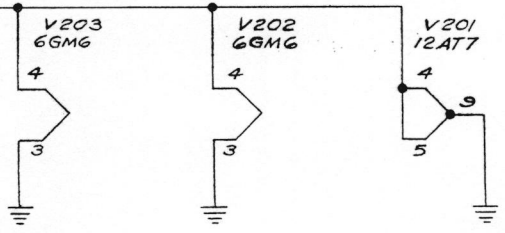


**CONRAC**  
 CONRAC CORPORATION  
 COVINA, CALIF.  
 SCHEMATIC DIAGRAM  
 MODEL GQF 875-1035  
 DATE: 5-27-65  
 APPROVED BY: [Signature]  
 452146 Y

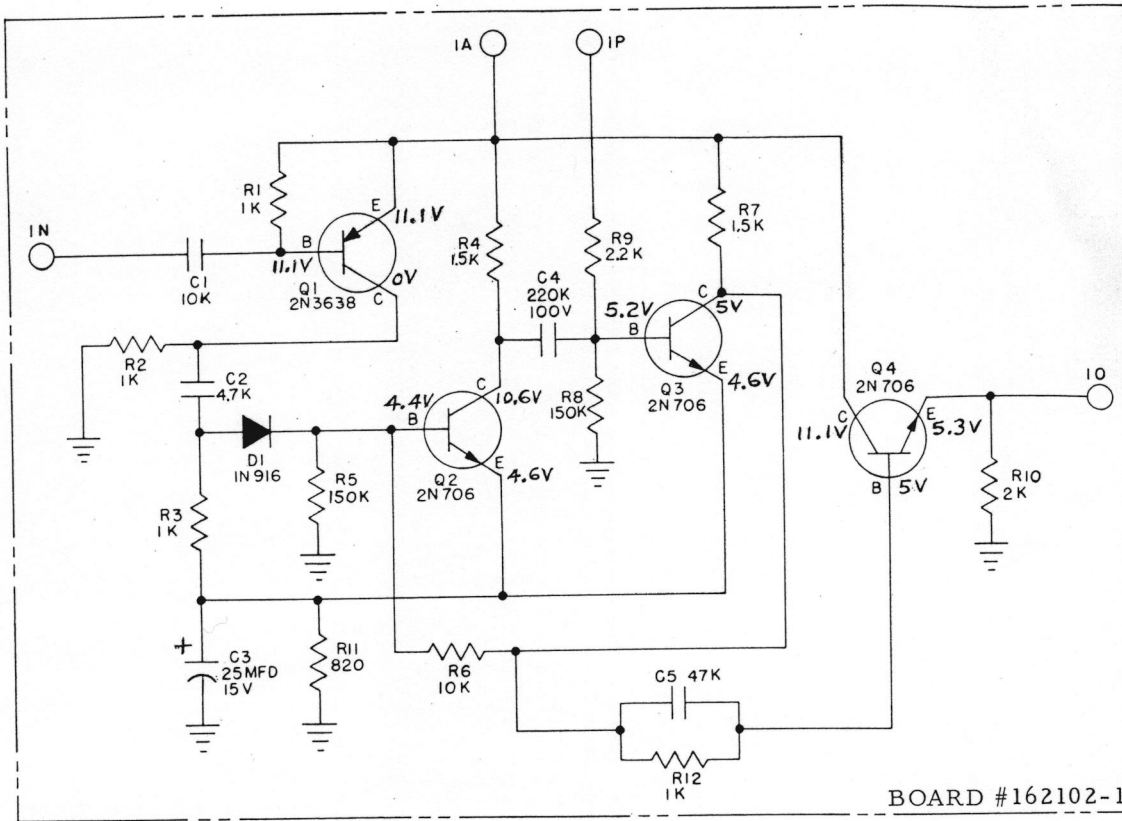


6.3 V ALL OTHER HEATERS EXCEPT V201, V202, V203, V301, V604

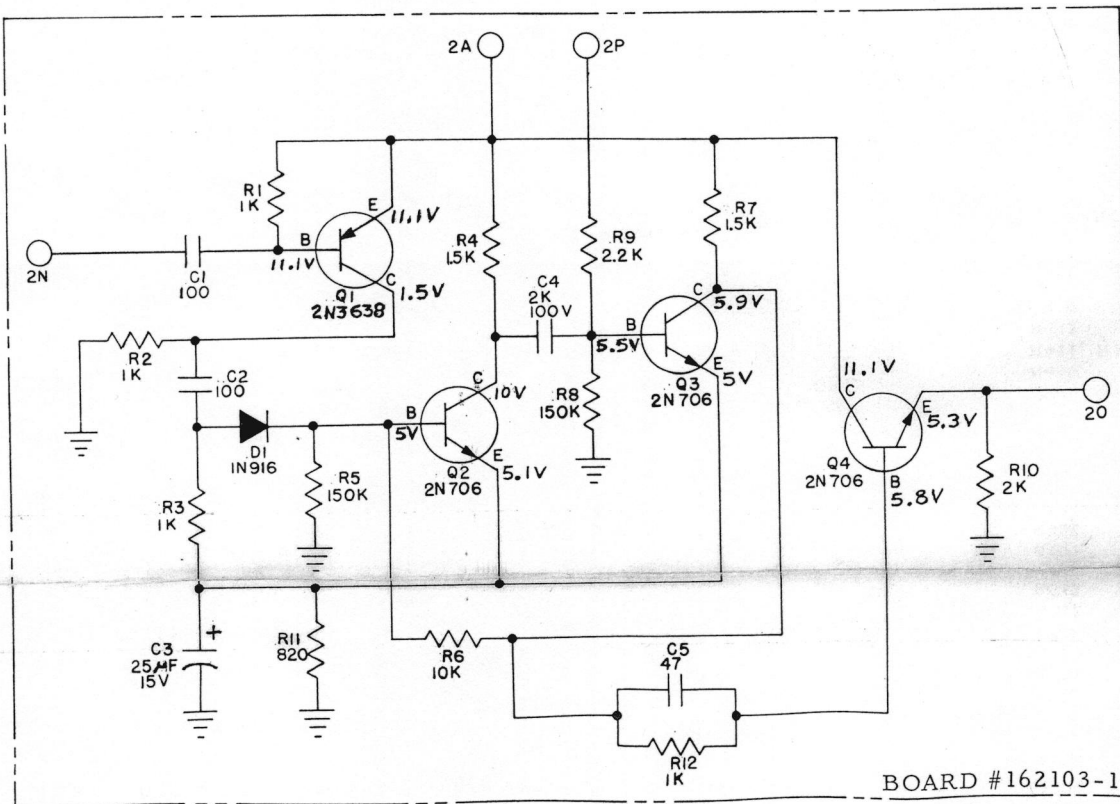
AP A TO B, C TO D & E TO F.  
 P B TO C & E TO G.  
 1/2 W, 10%, UNLESS NOTED.  
 CAPACITORS 400V UNLESS NOTED.  
 TUBES AND R316 SUPPLIED WHEN IN IS FACTORY WIRED.  
 CONNECTION, USE 1/2 A SLO-BLO FUSE.  
 PICOFARADS UNLESS NOTED.



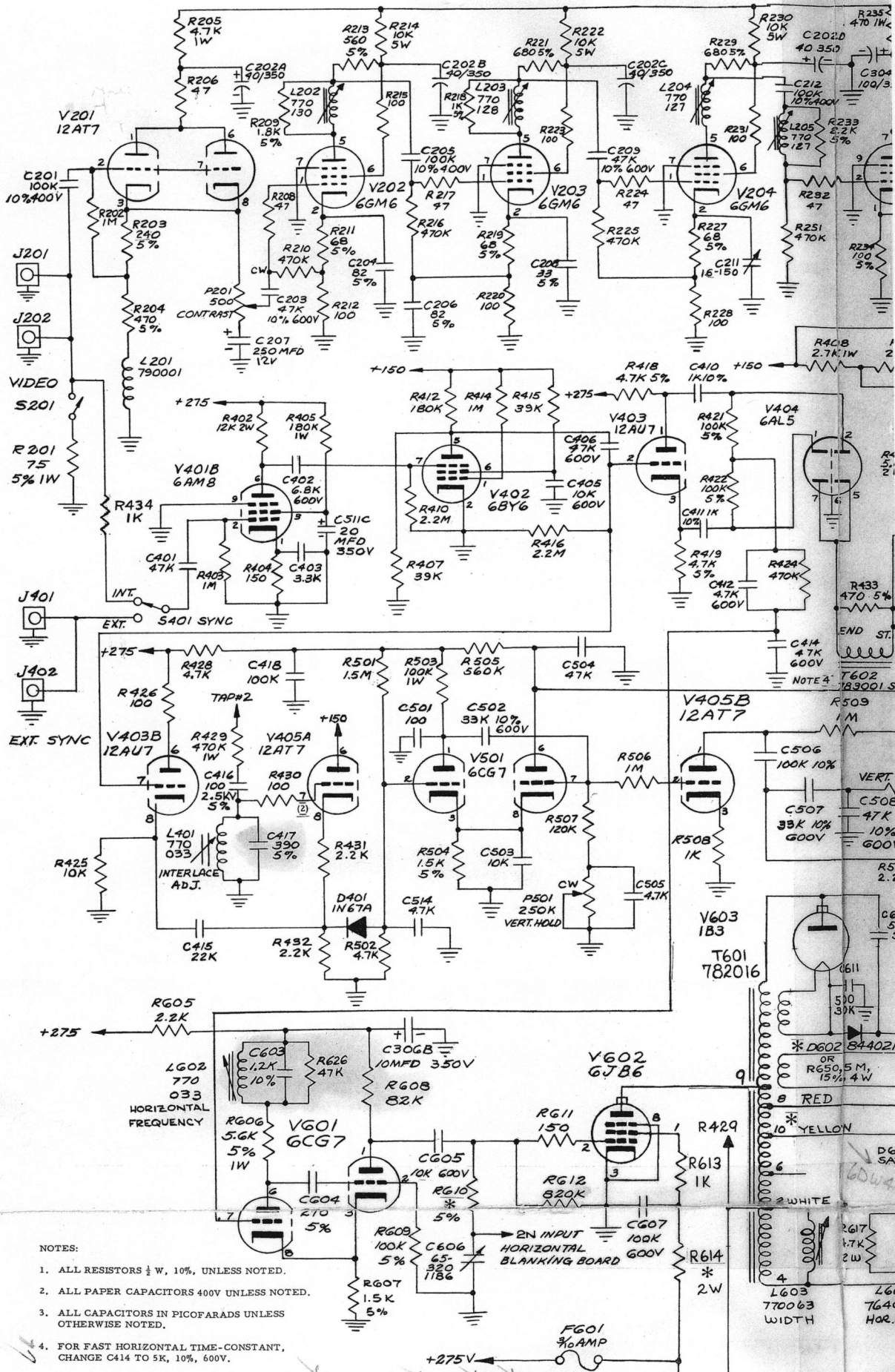
**CONRAC DIVISION**  
 CONRAC CORPORATION  
 COVINA, CALIF.  
 SCHEMATIC DIAGRAM  
 MODEL GQF  
 DATE 5/27/65  
 APPROVED BY: [Signature]  
 452146 SHEET 2 OF 2 P



<b>CONRAC</b> DIVISION	
SCHEMATIC VERTICAL BLANKING	
DATE 9-20-65	452172 B
APPROVED BY	



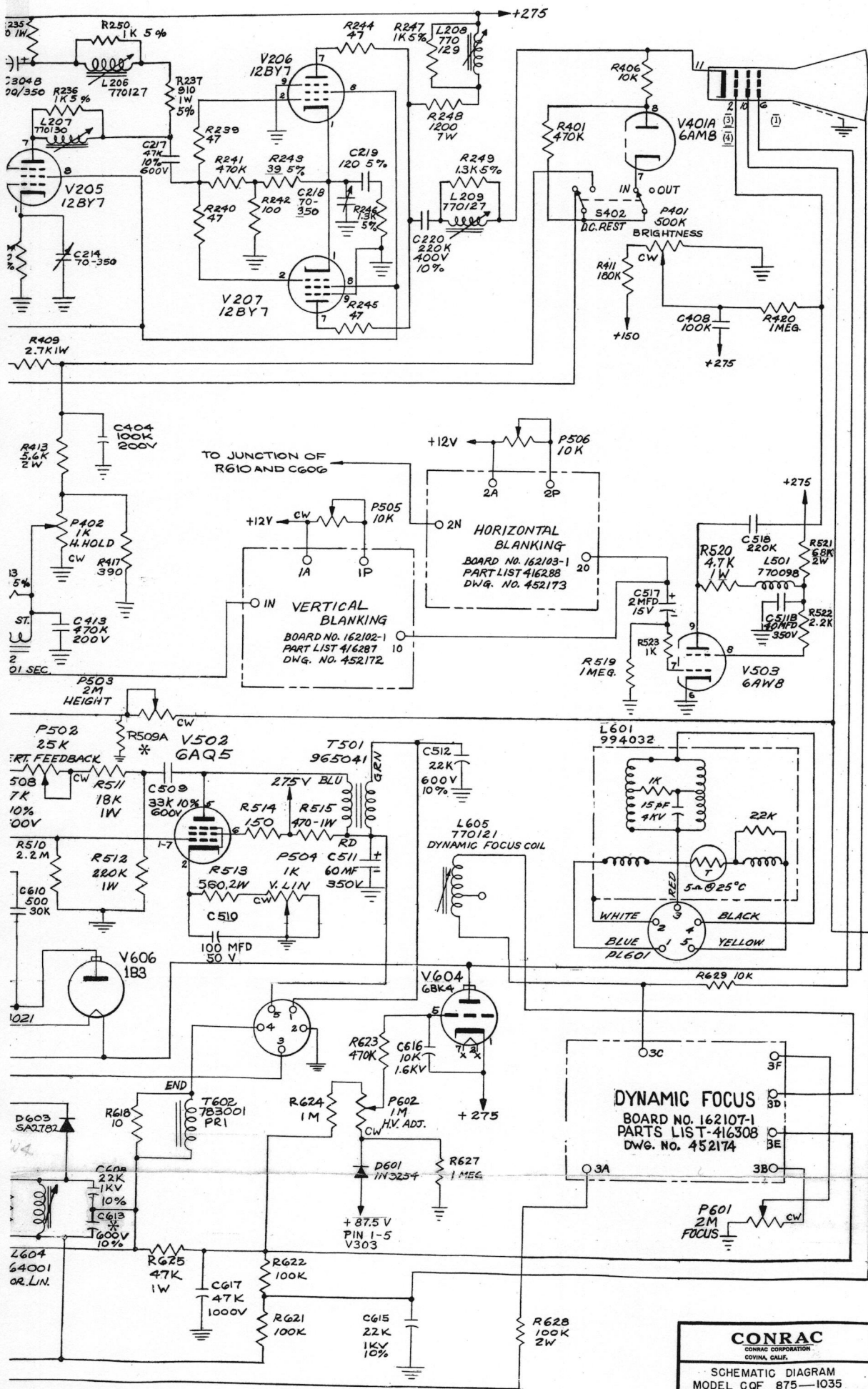
<b>CONRAC</b> DIVISION	
SCHEMATIC	



- NOTES:
1. ALL RESISTORS  $\frac{1}{2}$  W, 10%, UNLESS NOTED.
  2. ALL PAPER CAPACITORS 400V UNLESS NOTED.
  3. ALL CAPACITORS IN PICO FARADS UNLESS OTHERWISE NOTED.
  4. FOR FAST HORIZONTAL TIME-CONSTANT, CHANGE C414 TO 5K, 10%, 600V.

\* LINE RATE

C613	D602	R509A	R610	R614	R650	T601
875 to 945	27K	844021	Short	10K	6.8K	D602 Yellow Lead Pin 10
946 to 1035	22K	R650	1.8 MEG.	15K	10K	5 MEG. Yellow Lead Pin 8



**CONRAC**  
 CONRAC CORPORATION  
 CORONA, CALIF.

SCHEMATIC DIAGRAM  
 MODEL CQF 875-1035

DATE: 5-27-65  
 APPROVED BY: 452146 Y

Contact information for this effort, and any other efforts at documenting and making freely available the manuals for the old laboratory classics, can be found at <http://www.bunkerofdoom.com> Please visit us.

Finally, this scan is provided free of charge to download. The original material, even though it is quite old, still belongs to the manufacturer, and it should be assumed there may still be a copyright. While we hope they will not mind home usage and sharing of the old manuals by electronics hobbyists who may own or wish to study the equipment, we insist that this material not be sold or bundled with any materials for sale (such as ebay, online stores, etc).