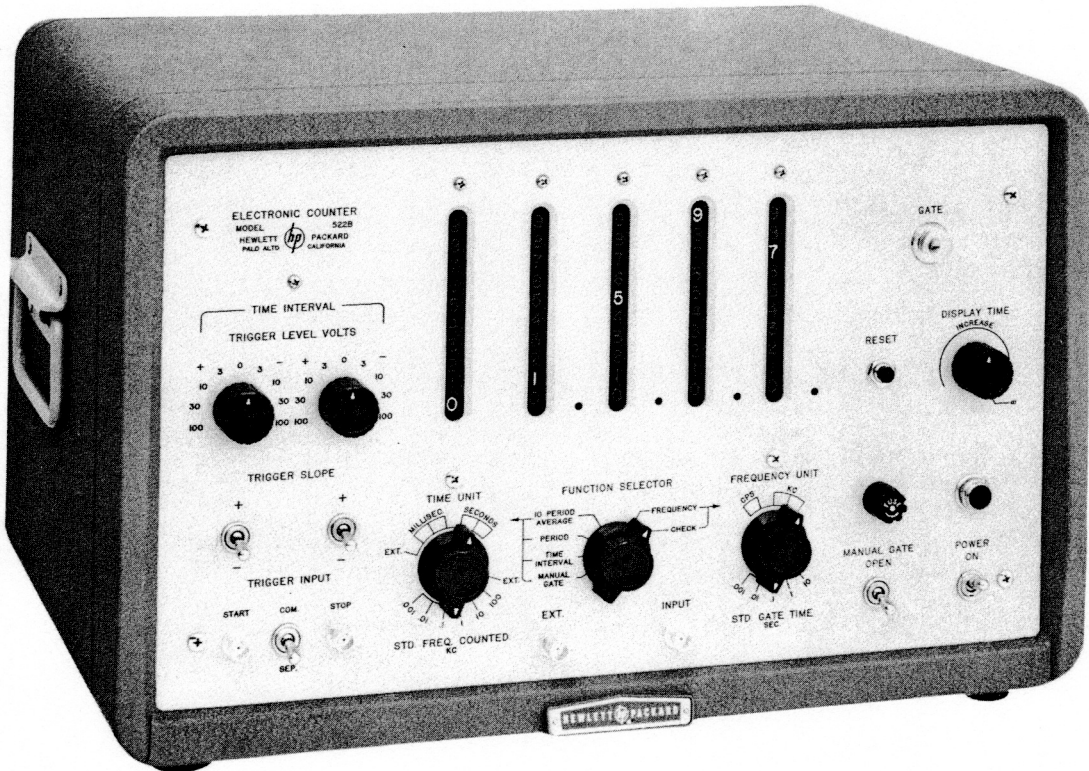


# OPERATING AND SERVICING MANUAL



## MODEL 522B ELECTRONIC COUNTER SERIALS PREFIXED: 024-

Property of GAC  
Engineering Electronic  
4 306



KD50EI



# MANUAL CHANGES

MODEL 522B

ELECTRONIC COUNTER

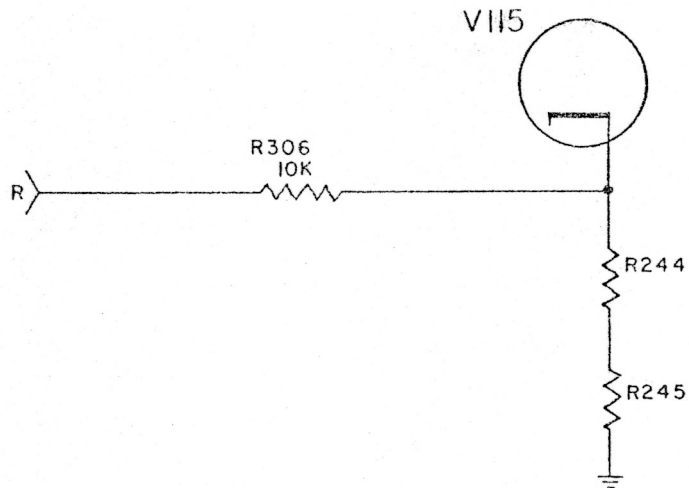
Manual printed: 8-60

For Serials Prefixed: 024-

## ERRATA:

In Figure 4-15A-1:

R306: Change to resistor, fixed, composition, 10,000 ohms  
+10%, 1/2 W; -hp- Stock No. 0687-1031, Mfr., B



C221, Delete  
222:

10/3/60  
9/15/60



ERRATA:

In figure 4-15A-1, the Pin connections of XZ101 thru XZ105 are as follows:

- Pin 2 connected to the common arm of K301
- Pin 4 of XZ101 connected to terminal A of J301
- Pin 4 of XZ102 connected to terminal B of J301
- Pin 4 of XZ103 connected to terminal C of J301
- Pin 4 of XZ104 connected to terminal D of J301
- Pin 4 of XZ105 connected to terminal E of J301

ERRATA:

In Section V, page 13, under MISCELLANEOUS -

- 1) Add the following to the description of the crystal oven assembly (-hp- Stock No. 0140-0020): includes 100 KC crystal.
- 2) Delete -hp- Stock No. G-69A-B2.
- 3) Delete escutcheon (-hp- Stock No. 522B-99).

ERRATA in the Table of Replaceable Parts, under MISCELLANEOUS:

Fuseholder: Change -hp- Stock No. to read 1400-0084.

For instruments with Serials Prefixed: 125-, include the following changes in addition to those previously listed:

C223: Add capacitor, fixed, mylar, 0.1 uf +20%, 100 vdcw;  
-hp- Stock No. 0170-0055; Mfr., CC

In figure 4-16, connect C223 between pin 5 of Decade Divider socket and ground.

C224: Add capacitor, fixed, ceramic, 12 pf +5%, 500 vdcw;  
-hp- Stock No. 0150-0053; Mfr., L

In figure 4-15, connect C224 across the 100 kc crystal (pins 4 and 5 of crystal oven assembly).

R268: Add resistor, fixed, composition, 270 ohms ± 10%, ½ W;  
-hp- Stock No. 0687-2711, Mfr., B

In figure 4-17, connect R268 from the junction of C134, R141, R154, R157, and contact of S6 to pin 5 of Decade Divider socket.

6/26/61

2/21/61

2/13/61

12/19/60

# hp MANUAL CHANGES

MODEL 522B

ELECTRONIC COUNTER

Manual Serial Prefixed: 024-  
Manual Printed: 8/60

To adapt this manual to instruments with other serial prefixes check for errata below, and make changes shown in tables.

Instrument Serial Prefix	Make Manual Changes	Instrument Serial No.	Make Manual Changes
024-	ERRATA	125-05584	1, 2, ERRATA
125-	1, ERRATA		
249-	1, 2, 3, ERRATA		

**ERRATA:**

Figure 4-15A-1,

The pin connections of XZ101 thru XZ105 are as follows:

Pin 2 connected to the common arm of K301.

Pin 4 of XZ101 connected to terminal A of J301.

Pin 4 of XZ102 connected to terminal B of J301.

Pin 4 of XZ103 connected to terminal C of J301.

Pin 4 of XZ104 connected to terminal D of J301.

Pin 4 of XZ105 connected to terminal E of J301.

R306: Change to resistor, fixed, composition, 10K ohms  $\pm 10\%$ , 1/2W;  $\text{\textcircled{P}}$  Stock No. 0687-1031; Mfr. B.

Figure 4-15 and Table of Replaceable Parts,  
Delete C221 and C222.

Section V, Page 13, under MISCELLANEOUS,

Add the following to the description of the crystal oven assembly ( $\text{\textcircled{P}}$  Stock No. 0140-0020): "Includes 100 Kc crystal."

Delete  $\text{\textcircled{P}}$  Stock No. G-69A-B2.

Delete escutcheon,  $\text{\textcircled{P}}$  Stock No. 522B-99.

Section V, Page 14, under MISCELLANEOUS,

Fuseholder: Change  $\text{\textcircled{P}}$  Stock No. to 1400-0084.

Figure 4-17,

Show pin 7 of XZ101 connected to 6.3 vdcw from T1 (1D).

Add R260: Resistor, fixed, composition, 1000 ohms  $\pm 10\%$ , 1/2W;  $\text{\textcircled{P}}$  Stock No. 0687-1021. Connect R260 in series with

Reset lead to decade divider, pin 5.

**CHANGE 1**

Add C223: Capacitor, fixed, mylar, 0.1  $\mu\text{f}$   $\pm 20\%$ , 100 vdcw;  $\text{\textcircled{P}}$  Stock No. 0170-0055; Mfr. CC. In Figure 4-16, connect C223 between pin 5 of Decade Divider socket and ground.

Add C224: Capacitor, fixed, ceramic, 12 pf  $\pm 5\%$ , 500 vdcw;  $\text{\textcircled{P}}$  Stock No. 0150-0053; Mfr. L. In Figure 4-15, connect C224 across the 100 Kc crystal (pins 4 and 5 of crystal oven assembly).

Add R268: Resistor, fixed, composition, 270 ohms  $\pm 10\%$ , 1/2W;  $\text{\textcircled{P}}$  Stock No. 0687-2711; Mfr. B. In Figure 4-17, connect R268 from the junction of C134, R141, R154, R157, and contact of S6 to pin 5 of Decade Divider socket.

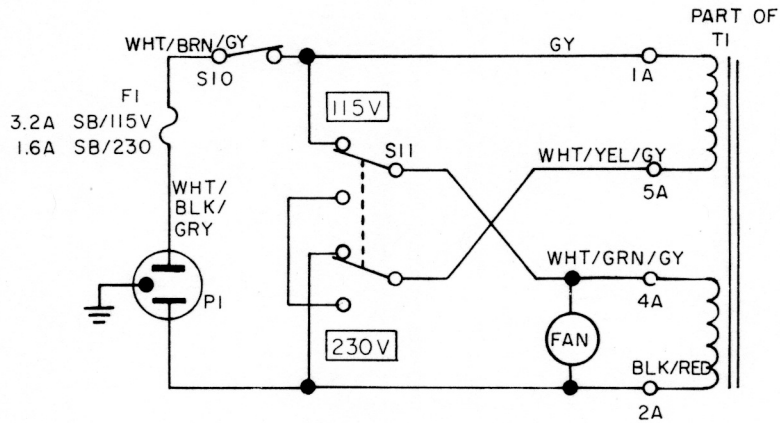
11/26/62-(21074)

Supplement A to  
522B-900

Instrument Serial Prefix	Make Manual Changes	Instrument Serial No.	Make Manual Changes
024-	ERRATA	125-05584	1, 2, ERRATA
125-	1, ERRATA		
249-	1, 2, 3, ERRATA		

CHANGE 2 In Table of Replaceable Parts,  
 J1, 2, 3, 6: Change to Ⓟ Stock No 1250-0118 for rack model only.

CHANGE 3 Figure 4-18, Power Supply Section,  
 Change the schematic in Figure 4-18 as shown in the following partial schematic



In Table of Replaceable Parts,  
 Add S11: Switch, slide, DPDT; Ⓟ Stock No. 3101-0033.

## SPECIFICATIONS

### FREQUENCY MEASUREMENT

Range:	10 cps to 120 kc, 10 cps to 220 kc for small increase in cost.
Accuracy:	$\pm 1$ count $\pm$ stability (see below).
Stability:	10 parts per million per week or better. May be standardized against WWV.
Registration:	5 places. Output pulse available to actuate trigger circuit for mechanical register to provide increased count capacity.
Input Requirements:	0.2 volt rms minimum, 1/2 volt rms required above 120 kc with 220 kc option.
Input Impedance:	Approximately 1 megohm, 50 pf shunt.
Gate Time:	.001, .01, .1, 1, 10 seconds. May be extended to any multiple of one or ten seconds by manual control. Panel neon lamp indicates that gate is open.
Display Time:	Variable from .1 to 10 seconds in steps of gate time selected. Display can be held indefinitely if desired.
Reads In:	Cps or kc with the decimal point indicated.

### PERIOD MEASUREMENT

Range:	.00001 cps to 10 kc. Output pulse available to actuate trigger circuit for mechanical register to extend range to lower frequency.
Accuracy:	$\pm 1$ count, $\pm .3\%$ $\pm$ stability (see Frequency Measurement) for measurement of one period. Accuracy for more than one period is $\pm .3\%$ divided by number of periods $\pm$ stability. For example, accuracy for a 10 period average is $\pm .03\%$ . (This applies to a 1 volt rms input signal. Accuracy increases with greater input signal levels and with greater signal/noise ratio).
Registration:	Same as for Frequency Measurement.
Input Requirements:	0.2 volt rms minimum. Direct-coupled input.
Input Impedance:	Approximately 1 megohm, 50 pf shunt.
Gate Time:	One or ten cycles of unknown frequency. May be extended to any number of cycles of unknown frequency by manual control. This is limited to frequencies lower than 50 or 60 cps.
Std. Freq. Counted:	1, 10, 100 cps; 1, 10, 100 kc; external.
Display Time:	Variable from 0.1 to 10 seconds in steps of the period being measured. Display can be held indefinitely if desired.
Reads In:	Seconds or milliseconds with the decimal point indicated.



## SPECIFICATIONS (CONT'D.)

### TIME INTERVAL MEASUREMENT

Range: 10 microseconds to 100,000 seconds (27.8 hrs.)

Accuracy:  $\pm 1/\text{std. freq. counted} \pm \text{stability}$  (see Frequency Measurement).

Registration: Same as for Frequency Measurement.

Input Requirements: 1 volt peak minimum. Direct-coupled input.

Input Impedance: Approximately 250,000 ohms, 50 pf shunt.

Start and Stop: Independent or common channels.

Trigger Slope: Positive or negative on start and/or stop channels.

Trigger Amplitude: Continuously adjustable on both channels from -100 to +100 volts.

Std. Freq. Counted: 1, 10, 100 cps; 1, 10, 100 kc; external.

Display Time: Same as for Period Measurement.

Reads In: Seconds or milliseconds with the decimal point indicated.

### GENERAL

Features: (a) Operates with  $\phi$  520A for high speed nuclear scaling.  
(b) Measures frequency ratios.  
(c) Makes time interval measurements with externally applied standard frequency.  
(d) Operates as electronic stop watch with manual start, stop and reset.  
(e) Operates as a secondary frequency standard providing precise rectangular output voltages at 1, 10, 100 cps; 1 and 10 kc and a 100 kc sine wave. Amplitude, approximately 1 volt peak.

Connectors: BNC

Power Supply: 115/230 volts  $\pm 10\%$ , 50-60 cps, 260 watts.

Size: Cabinet Mount: 20-3/4 in. wide, 12-3/4 in. high, 14-1/4 in. deep.  
Rack Mount: 19 in. wide, 10-1/2 in. high, 13-5/8 in. deep behind panel.

Weight: Cabinet Mount: Net 50 lbs., shipping 71 lbs.  
Rack Mount: Net 43 lbs., shipping 64 lbs.

Accessories Provided: 2-AC-16D cable assemblies, 44 in. RG-58/U terminated one end with UG-88/U Type BNC connector.

Accessories Available: AC-16K cable assembly, 48 in. RG-58/U terminated both ends with UG-88/U Type BNC connectors.

- $\phi$  Model 17 End Frames with handles to convert rack mount for bench use.
- $\phi$  508 Tachometer Generators
- $\phi$  506A Optical Tachometer Pickup
- $\phi$  56A-16B Adapter Cable (connects  $\phi$  506A to  $\phi$  522B/BR)
- $\phi$  Model AC-4C Decade Counter for 220 kc operation
- $\phi$  522B-95A, Model 560A Digital Recorder Kit for field installation.

# CONTENTS

		Page
SECTION I	GENERAL DESCRIPTION	
1 - 1	Introduction . . . . .	I - 1
1 - 2	Inspection . . . . .	I - 1
SECTION II	OPERATING INSTRUCTIONS	
2 - 1	Controls and Terminals . . . . .	II - 1
2 - 2	Operation . . . . .	II - 2
2 - 3	Accuracy . . . . .	II - 4
2 - 4	Applications . . . . .	II - 6
SECTION III	THEORY OF OPERATION	
3 - 1	Introduction . . . . .	III - 1
3 - 2	Overall Circuit Operation . . . . .	III - 1
3 - 3	Time Base Section . . . . .	III - 3
3 - 4	Phantastron Frequency Dividers . . . . .	III - 3
3 - 5	Decade Frequency Divider . . . . .	III - 5
3 - 6	Amplitude Discriminator . . . . .	III - 5
3 - 7	Signal Gate Section . . . . .	III - 6
3 - 8	Signal Gate . . . . .	III - 6
3 - 9	Gate Control Binary . . . . .	III - 6
3 - 10	Display Time Circuit . . . . .	III - 7
3 - 11	Reset Circuit . . . . .	III - 7
3 - 12	Time Interval Input Circuits . . . . .	III - 7
3 - 13	Power Supply . . . . .	III - 7
SECTION IV	MAINTENANCE	
4 - 1	Removing the Instrument Cabinet . . . . .	IV - 1
4 - 2	Cleaning the Air Filter . . . . .	IV - 1
4 - 3	Self Check . . . . .	IV - 1
4 - 4	Adjusting the Power Supply . . . . .	IV - 2
4 - 5	Adjusting the Amplitude Discriminator Units . . . . .	IV - 2
4 - 6	Adjusting the Phantastron Frequency Dividers . . . . .	IV - 2
4 - 7	Adjusting the Amplitude Discriminator . . . . .	IV - 3
4 - 8	Adjusting the Decade Counter Input . . . . .	IV - 3
4 - 9	Standardizing the 522B Against WWV . . . . .	IV - 5
4 - 10	Standardizing the 522B Against a local Frequency Standard . . . . .	IV - 5
4 - 11	Trouble Isolation . . . . .	IV - 5
4 - 12	Waveform . . . . .	IV - 8
SECTION V	TABLE OF REPLACEABLE PARTS	
5 - 1	Table of Replaceable Parts . . . . .	V - 1

## ADDENDUM

Instructions - Model AC-4A Decade Counter

# SECTION I

## GENERAL DESCRIPTION

### 1-1 INTRODUCTION

The Model 522B Electronic Counter is an accurate and easy to use instrument for frequency, period, and time interval measurements. Frequency measurements from 10 cycles/sec. to 120 kc\* and period measurements from .00001 cycles/sec. to 10 kc may be made with this instrument. The instrument and display of the counted value may be preselected for automatic operation or set to any desired interval by manual control.

This counter is suitable for standard audio-frequency oscillators to very high accuracy and facilitates response measurements of sharply resonant networks. The frequency stability of oscillators as a function of time may be measured directly with this instrument.

Transducers which provide an output frequency related to the magnitude of such physical constants as

---

\* The 522B can be quickly and easily converted to measure frequencies as high as 220 kc by simply replacing the "UNITS" AC-4G Decade Counter unit with an -hp- Model AC-4C Decade Counter unit. The decade units plug in and no special adjustments need be made.

weight, pressure, temperature, small distances and force may be used with the electronic counter for increased accuracy and quickness of reading. Exceptionally accurate tachometer measurements are obtained by connecting a transducer, which translates rotation into electrical impulses, to the input of the counter.

### 1-2 INSPECTION

This instrument has been thoroughly tested and inspected before being shipped and is ready for use when received.

After the instrument is unpacked, it should be inspected for damage received in transit. If any shipping damage is found, follow the procedure outlined in the "Claim for Damage in Shipment" page at the back of the instruction book.

### CAUTION

The sum of the direct current voltage and the alternating current peak voltage applied to the input terminals of this instrument must not exceed 100 volts.



# SECTION II

## OPERATING INSTRUCTIONS

### 2-1 CONTROLS AND TERMINALS

#### CONNECTORS

All cable receptacles on the instrument are BNC type UG-625A/U. Connector UG-88/U should be used with these receptacles.

#### TIME INTERVAL

The designations and functions of the various controls and terminals that comprise the time interval section of the instrument are listed below.

#### TRIGGER INPUT

**START** - This connector is the input terminal for the start channel during TIME INTERVAL measurement. The TRIGGER SLOPE switch and TRIGGER LEVEL VOLTS control above the connector are part of the START input circuit.

**STOP** - This connector is the input terminal for the stop channel during TIME INTERVAL measurement. The TRIGGER SLOPE switch and TRIGGER LEVEL VOLTS control above the connector are part of the STOP input circuit.

**COMM. -SEP.** - The START and STOP connectors are connected together when this toggle switch is in the COM. (common) position. Under this condition both the start and stop trigger voltage may be applied to the instrument through either the START or STOP connectors. In the SEP. (separate) switch position there is no connection between the START and STOP connectors and the start and stop trigger voltages must be applied to their respective connectors.

#### TRIGGER SLOPE

In the positive position of the switches, the rising portion of the wave controls the time interval. In the negative position the falling portion of the wave controls the time interval. The left hand switch is for the start channel. The right hand switch is for the stop channel.

#### TRIGGER LEVEL VOLTS

These controls establish the triggering level of the start and stop channels.

#### TIME UNIT

The TIME UNIT switch selects the units of time for the time measurements shown on the left side of the FUNCTION SELECTOR switch (10 PERIOD AVERAGE to MANUAL GATE). Indications are in seconds or milliseconds with decimal point indicated. The designations below the switch are the counted frequencies, in kilocycles, obtainable from the standard time base.

The switch position designated EXT. is for an externally counted frequency. In this position the EXT. connector is substituted in place of the internal standard time base. No time unit is specified when the EXT. position is used and no decimal point appears.

#### FUNCTION SELECTOR

This switch sets up the various circuits to perform the functions shown by the switch position designations. The designations on the left side of the FUNCTION SELECTOR switch pertain to time measurements while those on the right side are for frequency measurements. The switch position designations and their functions are as follows:

**10 PERIOD AVERAGE** - Measures the incoming waveform for a period of ten cycles and displays the period of one cycle. The units of measurement of time are dependent on the setting of the TIME UNIT switch.

**PERIOD** - Measures the incoming waveform for a period of one cycle and displays this period. The units of measurement of time are dependent on the setting of the TIME UNIT switch.

**TIME INTERVAL** - Measures and displays the time interval between the start and stop trigger voltages. The units of measurement of the time interval, are dependent on the setting of the TIME UNIT switch.

**MANUAL GATE** - This function is used for long-term counting where the gate is controlled by means of the MANUAL GATE switch. In this position the instrument may be used as an electronic stop watch.

**FREQUENCY** - Counts and displays frequency of incoming waveforms. Counting time depends on the setting of the FREQUENCY UNIT switch.



**CHECK** - The instrument is self-checking when the switch is in the CHECK position.

#### FREQUENCY UNIT

This switch determines the length of time in seconds that the gate is open during frequency measurements. The frequency units are indicated above the knob.

#### DISPLAY TIME

This control varies the time that the count is displayed. The minimum display time obtainable is .1 second or the gate time, whichever is larger. The maximum time is 10 seconds unless the control is switched to  $\infty$  in which case the count is displayed indefinitely. When the control is in the  $\infty$  position, the count is displayed until the counting cycle is started again by depressing the RESET button.

#### RESET

When this button is depressed, the counters are returned to zero and a new counting cycle is ready to start.

#### FUSE

The fuseholder, located on the control panel, contains a 3.2 ampere cartridge fuse. For 230 volt operation the fuse should have a rating of 1.6 amperes. Replacement fuses must be of the "Slo-Blo" type as specified in the Table of Replaceable Parts in this instruction manual.

#### POWER ON

This switch controls all the power supplied to the instrument.

#### MANUAL GATE

This switch opens and closes the gate when the FUNCTION SELECTOR switch is in the MANUAL GATE position. In other positions of the function switch, the MANUAL GATE switch in the OPEN position prevents the stop pulse from closing the gate.

#### INPUT

This connector is the input terminal for frequency and period measurements. During TIME INTERVAL, MANUAL GATE, and CHECK functions this connector is grounded through the input coupling network.

#### EXT.

This connector is the input terminal for any external time unit and is connected in place of the internal time unit when the TIME UNIT switch is in the EXT. position.

#### POWER CABLE

The three-conductor power cable on the 522B is terminated in a polarized three-prong male connector recommended by the National Electric Manufacturers' Association. The third contact is an offset round pin, added to a standard two-blade a-c plug, which grounds

the instrument chassis when used with the appropriate receptacle. To use this NEMA plug in a standard two-contact outlet, it is recommended that instead of breaking off the ground terminal, a 2-prong to 3-prong adapter be used. The ground connection emerges from the adapter as a short lead which should be connected to ground for the protection of operating personnel.

#### COUNTER OUTPUT

The output of the last counter is available at this terminal, located on the back of the chassis.

#### PHOTOTUBE VOLTAGE

A +90 volt polarizing voltage is available at the rear of the instrument. It has an internal impedance of approximately 100,000 ohms.

#### STD. OUTPUT

Internally-generated standard frequencies are available at this connector. These frequencies are the STD. FREQUENCY COUNTED and are selected by means of the TIME UNIT switch.

## 2-2 OPERATION

It should be kept in mind while using the Model 522B that this instrument measures, basically, frequency or time. There are two basic time measurements that can be performed, period and time interval. Period measures the time between two consecutive points on a single waveform. Time interval measures the time between two separate waveforms.

This instrument requires a warm-up period of at least 30 minutes before the specified accuracy is obtained from the crystal. Less accurate measurements may be made after a 30 second warm-up, and the sensitivity will be approximately 1/2 volt at this time.

Before making any measurements with this instrument, it is desirable to check the performance of the instrument by means of the built-in checking circuit. This is done as follows:

- a. Set the FUNCTION SELECTOR switch to the CHECK position and the FREQUENCY UNIT switch to 1 SEC.
- b. Set the DISPLAY TIME control fully counter-clockwise.
- c. If all the counters display zero at the end of the count, then the instrument is performing properly. If this count is not displayed, refer to the Maintenance section for probable causes and remedies.

The procedure for operating the Model 522B is as follows:

**NOTE:** The input circuit of the 522B is direct coupled to the amplitude discriminator. Any dc voltage present at the input will affect the sensitivity of the amplitude discriminator circuit when measuring FREQUENCY or PERIOD. If dc voltage is present, an external  $2\mu\text{f}$  blocking capacitor connected in series with the INPUT jack will allow measurements to be made down to 1 cps at rated sensitivity. A larger capacitor is required for lower frequencies.

#### Frequency Measurement

a. Set the FUNCTION SELECTOR switch to FREQUENCY and the FREQUENCY UNIT switch to the STD. GATE TIME position that provides the desired measuring unit. MANUAL GATE switch in the closed position.

b. Connect the unknown frequency to the INPUT connector of the instrument. The input voltage must not exceed 100 volts. As this instrument is triggered whenever the input voltage passes through zero, any direct current component in the input voltage will change the triggering point.

For example, an input voltage of 5 volts which has a direct current component of 10 volts will not trigger the instrument. However, an input voltage of 15 volts with a 10 volt direct current component will trigger the instrument at the 10 volt level.

c. The MANUAL GATE switch may be used to extend the time that the gate is open so that multiples of the selected gate time may be obtained. When the MANUAL GATE switch is in the OPEN position the gate cannot close. When the switch is returned to the closed position, the gate will close at the next timing pulse.

To extend the gate time, the MANUAL GATE switch is placed in the OPEN position. Just prior to the desired count time the MANUAL GATE switch should be returned to normal, and the next timing pulse will accurately close the gate.

#### Example:

It is desired to measure a 5000 cycle/sec. wave for a time of 4 seconds. The time unit selected on the FREQUENCY UNIT switch would be 1 second. The MANUAL GATE switch may be open either before or after the count has begun but must be open before 1 second of counting time has elapsed. It must be closed between the 3rd and 4th second of counting time.

d. Adjust the DISPLAY TIME control so that the count is displayed long enough to be read conveniently. The count display will be cycles or kilocycles per second as indicated by the position of the FREQUENCY UNIT switch.

#### 10 Period Average Measurement

a. Set the FUNCTION SELECTOR switch to the 10 PERIOD AVERAGE position and the TIME UNIT switch for the desired unit time. Connect the waveform to be measured to the INPUT terminal. The direct current component of the input waveform must be considered as it will produce the effects described in the Frequency Measurement procedure. The MANUAL GATE switch should be in the closed position.

b. Adjust the DISPLAY TIME control for convenient reading of the count. The displayed count will be the average period of one cycle although 10 cycles were measured.

The MANUAL GATE switch will function on period measurements similar to frequency measurement. However, on period measurements the time is a multiple of the input wave, for example:

It is desired to measure the period of a 20 cycles/sec. wave for 100 periods. On 10 period average the count displayed will be 50.0 milliseconds. Then for 100 periods which is 10 times 10 period average, the count should be 500.0 milliseconds. Thus the MANUAL GATE switch should be closed between the 9th and 10th ten periods which would be between 450.0 and 500.0 count. The period of the 20 cycles/sec. wave will now be 500.0 divided by 10 or 50.00 milliseconds. The accuracy has been increased by ten times over the accuracy of the ten period average.

#### Period Measurement

The procedure for measuring the period of one cycle is the same as for the 10 Period Average except that the FUNCTION SELECTOR switch is set at PERIOD.

#### Time Interval Measurement

a. Set the FUNCTION SELECTOR switch at TIME INTERVAL and the TIME UNIT switch at the desired time unit. The MANUAL GATE control must be in the closed position.

b. If the interval of time to be measured is a pulse-width, repetition rate, rise time of a sloping wave, or some other function in which both start and stop information is on a single wire, set the SEP. -COM. switch to COM. and connect the input voltage to either the START or STOP terminal. In the COM. position the two inputs are tied together.

If the interval to be measured is from two separate sources - such as two phototubes or two sine waves of different phase - place the SEP. -COM. switch in SEP. Connect the starting signal to the START terminal and the stop signal to the STOP terminal.

c. The TRIGGER SLOPE switches and TRIGGER LEVEL VOLTS controls are the same for both the start and stop channels. The following considerations therefore apply to both channels.



If the desired trigger point of the input waveform is rising (going in a positive direction), set the TRIGGER SLOPE switch to +. If the desired trigger point of the input waveform is falling (negative going), the TRIGGER SLOPE should be set to -.

To set the TRIGGER LEVEL VOLTS controls it is necessary to know the voltage levels of the input wave. The TRIGGER LEVEL VOLTS control is then set to the voltage value desired. Any direct current component of the signal must also be considered when setting these controls.

#### EXAMPLE:

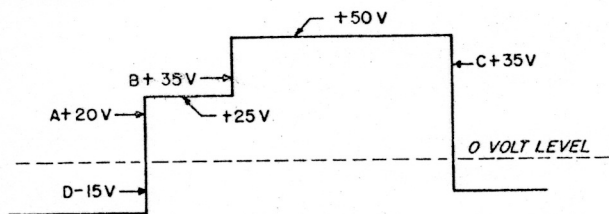


Figure 2-2

It is desired to measure the time between points A and C of Figure 2-2. Since this is a single signal, the SEP. -COM. switch should be in the COM. position. Since the voltage at point A is rising, set the start TRIGGER SLOPE switch to + and the start TRIGGER LEVEL VOLTS control to +20. Point C is negative going and the stop TRIGGER SLOPE switch should be set to -. The stop TRIGGER LEVEL VOLTS should be set to +35V. Set the TIME UNIT switch to the desired unit.

It will be noted that if the start TRIGGER LEVEL VOLTS control were set to +35 instead of +20, the time from points B to C would be measured. Also if the stop TRIGGER SLOPE switch were changed to + instead of -, the time between points A and B would be measured. In measuring the time between A and C the start TRIGGER LEVEL VOLTS control could be set at point D (-15V) which will give the same time.

#### External Input

In both period and time interval measurements, it may be desirable to have a count in some unit other than or in terms of some other frequency. For instance, the period of a 2 cycle wave could be in terms of some other wave, say 3600 cycles. This gives the ratio of the two frequencies which would be 1800 to 1. The procedure for using the external input is as follows:

- Set the FUNCTION SELECTOR switch to the 10 PERIOD AVERAGE, PERIOD, or TIME INTERVAL position.
- Set the TIME UNIT switch to EXT. and connect the external frequency to the EXT. terminal.

- Connect the source to be measured to the INPUT terminal or the START and STOP terminals (Time Interval) whichever function is being used.
- The displayed count is obtained in units of the external signal applied to the instrument. When the TIME UNIT switch is in the EXT. position, the decimal points are not illuminated.

#### Manual Gate

- Set the FUNCTION SELECTOR switch to MANUAL GATE and the TIME UNIT switch to the EXT. position.
- Set the MANUAL GATE switch to the closed position. Connect the source to be measured to the EXT. terminal.
- To start the count, throw the switch to the OPEN position. At the end of the desired elapsed time change the switch back to the closed position. Read the displayed count, push the RESET button and the instrument is ready to count again. The time, during which the gate is open, must be measured by some device outside of the instrument.

In this operation the MANUAL GATE switch actually opens and closes the gate at the instant the switch is operated and not at the next timing pulse as in all of the previous operations. The MANUAL GATE switch may be opened and closed as often as desired and no resetting will occur. Resetting must be done manually by the RESET button, and may be done at any time.

## 2-3 ACCURACY

### Frequency Measurements

The basic counter accuracy is determined by two factors. One factor is the stability of the 100kc crystal standard in the time base, which is 10 parts per million or .001 percent per week. A second factor is the inherent error of +1 count present in all counters of this type. This error is due to phasing between the timing pulse that operates the electronic gate and the pulses that pass through the gate to the counters.

The chart in Figure 2-3 shows the errors to be expected for frequency or period measurements. For example, if a frequency of 10 kc is being measured with a 10 second gate time, there will be a total of 100,000 counts. An error of +1 count is .001 percent accuracy. If 20 kc is measured for 10 seconds, a total of 200,000 counts, +1 count is .0005 percent. However, the accuracy (.001 percent) of the crystal standard also must be taken into consideration.

The overall accuracy for frequency measurements then is as follows:

Maximum Possible error (percent) =  
 $\pm 1 \text{ count} + \text{accuracy of standard.}$

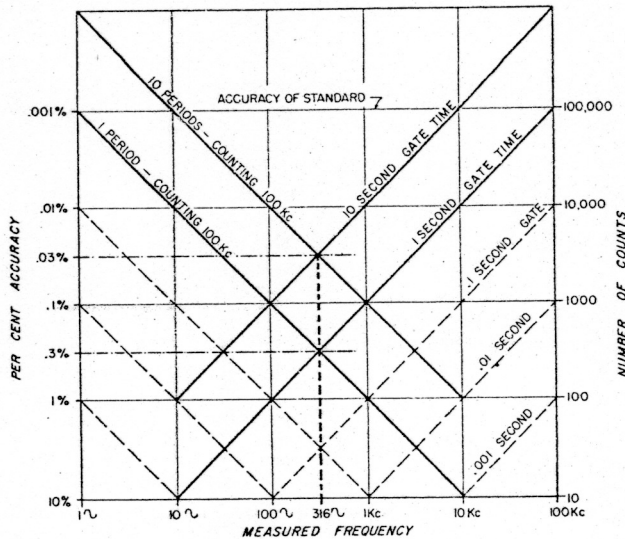


Figure 2-3. Accuracy Chart

The maximum possible error for the 20 kc example is  $\pm .0005$  percent  $\pm .001$  percent, the two being additive in the worst case. Therefore, the greatest possible error would be .0015 percent.

Due to the possible error of  $\pm 1$  count, as the measured frequency becomes lower, the percentage error becomes higher. For a 10-cycle wave on a 1-second gate the accuracy is  $\pm 10$  percent. For low frequencies the period of the waveform should be measured.

Period Measurements

On both PERIOD and 10 PERIOD AVERAGE the TIME UNIT switch will select the counted frequencies which range from 100 kc to 1 cps.

Referring again to the chart of Figure 2-3, it will be noted that the greatest accuracy of period measurement is obtained on 10 period average when counting 100 kc. This of course gives the greatest total number of counts.

It should be stressed at this point that the greatest accuracy for period measurement is obtained from waveforms having a sharp rise time or high slope as they pass through the zero axis. Square waves or pulses usually meet this requirement.

On a sine wave or other low slope waveform the accuracy of period measurement is limited by the ability of the input circuits to trigger at the same point on consecutive cycles.

The period accuracy for a sine wave is as follows:

$$\text{Max. Error in percent} = \frac{23 \times \text{Peak noise voltage}}{\text{No. of Periods} \times \text{RMS signal voltage.}}$$

Both internal and external noise voltages contribute to the errors. The internal noise voltage is approximately 5 mv peak. Therefore, during PERIOD measurements an accuracy of .3 percent can be expected for a 1 volt rms sine wave with 10 mv noise. This accuracy can be improved by greater amplitude of input signal or by measuring a greater number of periods. Thus for a 1 volt rms sine wave on 10 PERIOD AVERAGE the accuracy expected would be .03 percent. On 10 PERIOD AVERAGE with a 10 volt rms signal containing 1 percent noise the maximum possible error would then be .003 percent.

The line marked 1 Period - Counting 100 kc on Figure 2-3 is also for 10 Period - Counting 10 kc. Similarly the next lower line (dotted line running from 1 kc to .01 percent) is 1 Period - Counting 10 kc and also 10 Period - Counting 1 kc. The next line is 1 Period - Counting 1 kc and 10 Period - Counting 100 cps. This chart could be extended down and to the left to a measured frequency of .0001 cps.

It will be noted that the period curves and the frequency curves cross at 316 cycles measured frequency. Thus, for frequencies above 316 cycles direct measurement of frequency gives the greatest accuracy. Below 316 cycles period measurements should be used.

Time Interval Measurements

There are three factors contributing to the accuracy of time interval measurements.

- a. The stability of the 100 kc standard which is  $\pm .001$  percent.
- b. The ambiguity of  $\pm 1$  count.
- c. A time error due to input slope.

Where the START and STOP inputs are sloping waves, the largest error is usually due to the inability of the input circuits to trigger consistently at the same point.

With a setting of zero volts trigger level, the overall accuracy should be:

$$\text{Maximum error} \pm .001 \text{ percent} + \text{period of counted freq.} + \text{sum of times required for start and stop voltages to change 1 volt.}$$



As the trigger level is increased either positive or negative, attenuation of input signal is introduced. The slope error increases as attenuation is introduced. At a trigger level of 100 volts the attenuation is approximately 5 to 1, at 30 volts about 2.7 to 1, and at 10 volts about 1.6 to 1.

**Example:**

A measurement of time interval is being made where the start voltage has a rise of 1 volt in 120 usec. and the stop voltage has a rise of 1 volt in 5 usec. at the trigger point.

If the time measured is about 500 milliseconds when counting 100 kc, the largest error would be

$$\begin{aligned} \pm .001 \text{ percent of } 500 \text{ rms} &= \pm 5.0 \text{ usec.} \\ \pm \text{ period of } 100 \text{ kc} &= \pm 10 \text{ usec.} \\ \pm (120 \text{ usec.} + 5 \text{ usec.}) &= \pm 125 \text{ usec.} \end{aligned}$$

$$\text{Maximum possible error} = 140 \text{ usec.}$$

There is a maximum error of 140 usec. out of the 500.00 milliseconds measured, this is a maximum error of .028 percent.

**2-4 APPLICATIONS**

Frequency Measurements

Measurement of frequency is a basic function in counters. Such measurements as oscillator calibration, oscillator drift with time, or drift with line voltage may be made. Frequency response characteristics of tuned circuits, band pass filters, etc., can be plotted. Some specific frequency measurement applications are described below.

Repetition Rate of Pulses

The repetition rate of pulses is merely counting the pulses for a standard time. The input of the counter is direct coupled and adjusted to trigger at zero volts. Since a pulse is essentially all positive or all negative from a reference voltage, it may be necessary to introduce some dc bias to enable the pulse to cross the zero axis. With this in mind repetition rates can be measured in the same manner as any other frequency.

Tachometry

There are a number of transducers available for

tachometry measurements. The Model 506B is a photoelectric tachometer head and the Model 508A is a 60 tooth magnetic tachometer.

The Model 508A is mechanically connected to the shaft being measured and produces 60 output pulses per revolution. An indication of rpm is given directly when the output frequency of the tachometer is measured. With a 1 second gate time, an accuracy of  $\pm 1$  rpm is obtained. Using a 10 second gate time  $\pm 1/10$  rpm accuracy may be obtained.

The Model 506B photoelectric tachometer head is designed for use where mechanical linkage is impractical.

The light source and phototube assembly should be adjusted so that the light reflected from the rotating member will enter the phototube. The number of pulses or counts per revolution will depend upon the design of the rotating member. Alternate black and reflecting strips may be placed on the rotating shaft or disc and the speed will be:

$$\text{Speed (RPM)} = \frac{\text{Counter indication} \times 60}{\text{Number of reflecting strips} \times \text{Gate time in sec.}}$$

Pressure Measurements

The vibrating wire type transducer is a pressure-sensitive element with an associated feedback amplifier. Its output is a frequency which is determined by the pressure exerted on the vibrating wire cell and has a resolution of about .02 percent.

The output of the feedback amplifier is connected to the counter to read frequency.

Such transducers can be used in remote locations. Since the indication is a single frequency, no alteration of information can be caused by transmission.

Similar units can also be obtained for indicating temperature.

Extended Gate Time

It is sometimes desirable to measure a signal for a longer time than provided by the counter in order to obtain an average of fluctuating signal or to obtain greater accuracy. This may be done on either frequency or period measurement.

The MANUAL GATE switch, when OPEN, prevents the timing pulses from closing the gate. If on frequency measurement a five-second gate time is desired, the MANUAL GATE switch should be closed some time between the 4th and 5th second after counting has begun. Then at exactly 5 seconds time the next timing pulse will close the gate.

Then:

$$\text{Freq. in cps} = \frac{\text{total number of counts}}{\text{gate time (sec.)}}$$

Since with a longer gate time the total count increases, the +1 count error decreases. Thus for a 5-sec. gate, for example, the +1 count error is 1/5 that of a 1-sec. gate.

The number of periods being measured can also be extended by using the MANUAL GATE switch in a similar manner.

### Frequency Ratio

The period of a wave generally is measured in terms of time. If the TIME UNIT switch is turned to EXT. the period may be measured in terms of another frequency, and the displayed count will be the ratio between the two frequencies.

If the lower of the two frequencies is connected to INPUT, the higher of the two connected to EXT., and the FUNCTION SELECTOR set at PERIOD, frequency ratios from 1:1 to 100,000:1 may be read.

With FUNCTION SELECTOR set at 10 PERIOD AVERAGE, ratios may be read from .1:1 up to 10,000:1. If it is desired to measure larger ratios, a mechanical register may be connected to the COUNTER OUTPUT to extend the range.

### Time Interval Measurements

Many time interval measurements are possible with the Model 522B, the basic requirement being an electrical impulse at the beginning and end of the desired time interval. This impulse may be generated by any one of a number of specialized transducers, switches, phototubes, etc.

The Hewlett-Packard Journal, Vol. 5, No. 1-2, is devoted to time interval measurements with the Model 522B. It discusses a marker generator that may be of value when making time interval measurements. When making time interval measurements on a complicated waveform, the marker will be helpful in setting the trigger level controls correctly. Contact the Hewlett-Packard Company if you desire any further details on time interval measurements or the marker generator.

### CAUTION

When mechanical contacts of any kind (relay, switches, etc.) are used to generate impulses for time interval measurements, precautions must be taken. Mechanical contacts are subject to contact bounce which produces a very irregular impulse as indicated in Figure 2-4. This type of pulse will not trigger the counter at the desired time and under these conditions it is impossible to make accurate or consistent measurements. When mechanical contacts are used to trigger the counter, the impulse from these contacts should be viewed on a wide band oscilloscope. Any irregularities that are present may then be taken into account.



Figure 2-4. Effect of Contact Bounce

### Phototubes

Photoelectric transducers are used where it is impossible or impractical to use mechanical connections for the desired measurement. A 90-volt phototube polarizing voltage is available at the rear of the instrument. The output of the phototube may be connected to either the START or STOP input of the counter through a coupling capacitor. Since these are direct-coupled inputs, it is desirable to include a blocking capacitor between the phototube and the instrument input.

### Phase Shift Measurements

The phase difference between two waveforms having the same frequency may be measured in terms of time or electrical degrees. Direct measurements in degrees require using an external source, having a frequency that is 360 times that of the waveform being measured, as the TIME UNIT. (This voltage is applied at the EXT. input connector.)

To make phase measurements the instrument is set up as follows:

1. FUNCTION SELECTOR on TIME INTERVAL.
2. TRIGGER INPUT on SEP.
3. MANUAL GATE closed.

Connect the two waveforms to the STOP and START TRIGGER INPUTS, set both TRIGGER LEVEL VOLTS controls at approximately zero, both TRIGGER SLOPE

switches positive. Note the count. Switch both TRIGGER SLOPE switches to negative and note the count. If these two counts are not equal, adjust the START TRIGGER LEVEL VOLTS control until equal counts are obtained with both TRIGGER SLOPE switches positive and both negative.

$$\text{Phase Shift (degrees)} = 360 \times F \times \frac{\text{Count (milliseconds)}}{1000}$$

Where F is the frequency of the waveform being measured. This is the number of degrees the START waveform leads the STOP waveform. If an external TIME UNIT is used that is 360 times the frequency of the measured waveform, the count will be the number of degrees the START waveform leads the STOP waveform and no calculations will be required.

Maximum accuracy is obtained when the instrument is triggered at or near the zero axis crossing of the sine wave. The two counts will be equal when the START and STOP channels are triggered the same number of electrical degrees from the zero axis crossing of each waveform. This measurement is explained as follows:

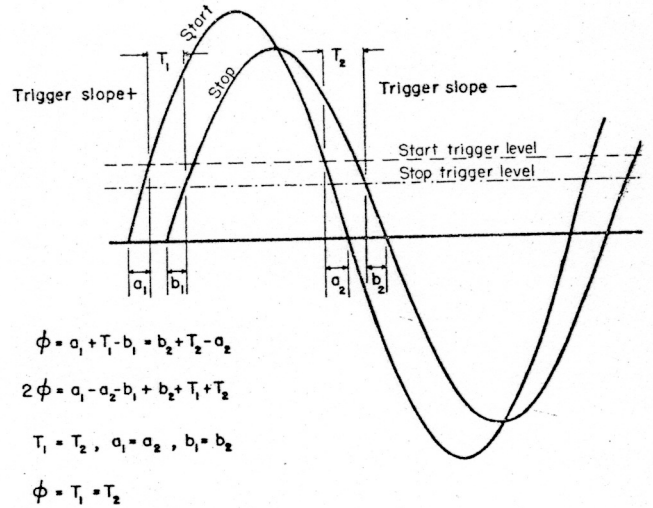


Figure 2-5. Phase Measurements

In the illustration  $T_1 = T_2$  since we have specified equal counts with both TRIGGER SLOPE switches + and both -. Because of the symmetry of the waveforms  $a_1 = a_2$  and  $b_1 = b_2$ .



# SECTION III

## THEORY OF OPERATION

### 3-1 INTRODUCTION

This section describes the electrical operation of the circuits of the 522B Electronic Counter. First the overall operation of the instrument is explained with reference to the block diagrams in Figure 3-1 and 3-3, then the operation of important circuits is described in detail. The material in this section is as follows:

- 3-2 Overall Circuit Operation
- 3-3 Time Base Section
- 3-4 Phantastron Frequency Dividers
- 3-5 Decade Frequency Divider
- 3-6 Amplitude Discriminator
- 3-7 Signal Gate Section
- 3-8 Signal Gate
- 3-9 Gate Control Binary
- 3-10 Display Time Circuit
- 3-11 Reset Circuit
- 3-12 Time Interval Input Circuit
- 3-13 Power Supply

### 3-2 OVERALL CIRCUIT OPERATION

The 522B Electronic Counter consists of the basic circuit sections shown in the block diagram in Figure 3-3. A signal applied to the 522B INPUT connector is fed through an amplifier and shaper to the Counted Signal Gate. The essential part of the signal, the frequency, goes through the shaper unchanged, but since this waveform is used to operate decade counting units, it must be changed to a fast-rise, constant-amplitude pulse to assure positive counting.

The Counted Signal Gate V101A conducts the input signal to the indicating counters while a measurement is being made, and blocks the input signal while the answer is being displayed. While the Signal Gate is open, V406 acts as a normal amplifier; when closed it acts as an open circuit to the input signal.

The Signal Gate is opened and closed by precision signals initiated in the Time Base Section which actuate Gate Control Binary V103 and produce a large

fast, on-off pulse to operate the Signal Gate. The first signal from the Time Base Section causes the Gate Binary to open the Signal Gate; the second signal from the Time Base causes the Gate Binary to close the Signal Gate. So long as signals come from the Time Base, the Signal Gate will continue to be opened and closed.

Timing Signal Gate V102 conducts the start, and stop timing signals from the Time Base to the Gate Binary while a measurement is being made. V102B blocks start timing signals and prevents a new count from starting while the answer to the previous count is being displayed.

Timing Signal Gate V102B is opened and closed by signals from the Display Time Circuit. The Display Time Discriminator either opens and closes the Timing Signal Gate automatically at regular intervals, or manually by the front-panel RESET button. When set for automatic operation, the Display Time Circuit is operated by signals from the Gate Binary; when the Gate Binary closes the Signal Gate, the Display Time Circuit closes the Timing Signal Gate for the time selected by the DISPLAY TIME control. The next timing signal will not reopen the Timing Signal Gate and start another count before the desired display time has been completed. When the display time is over, the Display Time Circuit reopens the Timing Signal Gate and the next timing signal opens the counted Signal Gate to start another measurement.

Whenever the Gate Binary opens the Signal Gate to start a new measurement, it first operates the Reset Circuit to return the counters to zero, so the new count will begin at zero instead of being added to the previous count. The Reset Thyratrol, upon receiving a negative pulse from the Gate Binary, generates a large, fast positive pulse which is applied to the reset circuit of each of the counters.

The signal to be counted is fed to six indicating plug-in counting units connected in cascade. The output of the first unit connects to the input of the second, and so on. Each cycle of the input signal advances the count of the first (units) counter by one numeral. Each time the number on the first counter is advanced



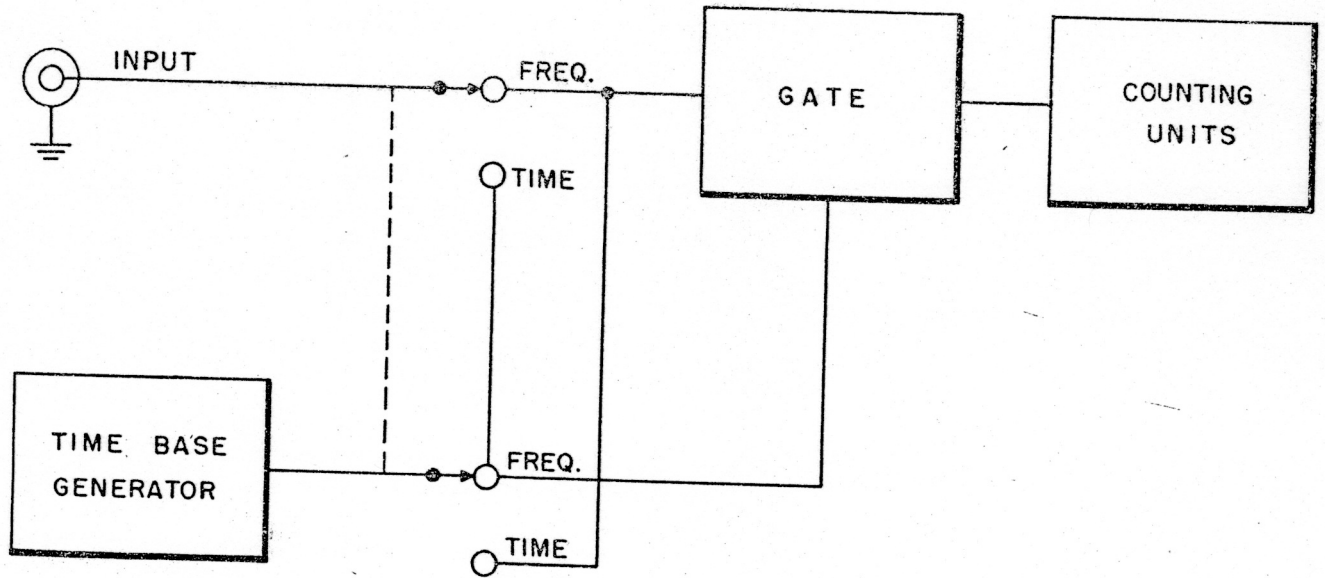


Figure 3-1. Simplified Block Diagram

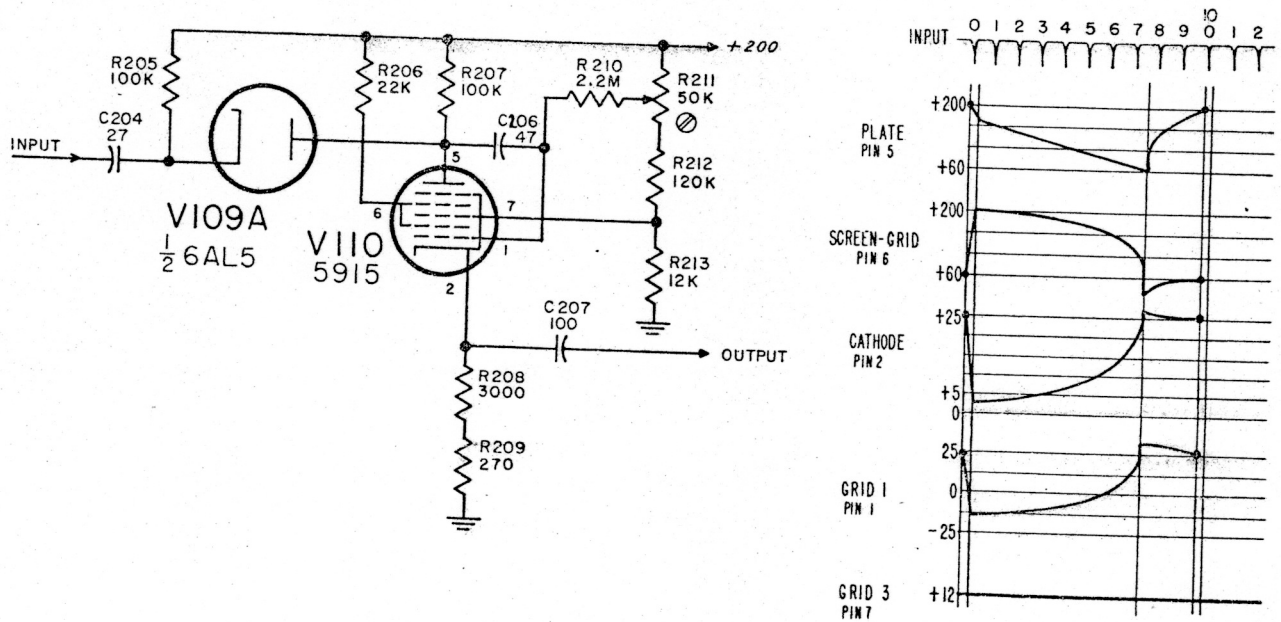


Figure 3-2. Typical Phantastron Frequency Divider and Waveforms

from 9 to 0 it puts out a pulse which advances the count on the second (tens) counter by one number, and so on through all six units. When the Counted Signal Gate is closed, the indicating counter units display the number of the last cycle received. Thus, the number of cycles displayed after opening the Signal Gate for exactly 1 second indicates the frequency directly in cps.

### 3-3 TIME BASE SECTION

The Time Base Section, supplies six standard frequencies: 100, 10 and 1 kilocycles, 100, 10 and 1 cycles per second. The Time Base consists of a crystal-controlled, 100-kc oscillator, a series of five 10 to 1 phantastron frequency dividers, and a plug-in decade divider. The plug-in decade divider divides the phantastron frequencies from the Time Base by 10 during frequency measurements and the input signal frequency by 10 during 10 PERIOD average measurement. The same high accuracy obtained from the crystal oscillator is also obtained with all divided frequencies when the circuits are in correct adjustment.

The internal frequency standard for the 522B is a crystal-controlled, 100-kc, modified Pierce or Colpitts oscillator. The crystal has a low temperature coefficient and is enclosed in a temperature controlled oven to obtain a frequency stability of better than ten parts/million/week.

The phantastron frequency dividers and the Decade Divider plug-in unit are described below.

### 3-4 PHANASTRON FREQUENCY DIVIDERS

The five standard gate times, .001, .01, 0.1, 1.0 and 10 sec, and two frequency units, milliseconds and seconds are obtained by dividing the 100-kc crystal-controlled frequency in steps of 10. Five 10:1 phantastron frequency dividers connected in cascade so that each divides the output of the previous one to produce standard frequencies of 10 kc, 1 kc, 100 cps and 10 cps. The operation of each divider is the same; only the value of one capacitor in each subsequent divider circuit is changed to obtain a ten-times longer time constant. The shapes of the output waveform from the dividers are similar, large unsymmetrical positive pulses.

Division in a phantastron circuit is accomplished by adjusting the time constant of the circuit so that one period of phantastron operation lasts nine cycles of the input frequency actually a division of time. During the period of operation the phantastron is not affected

by subsequent input cycles. After the period of operation, the phantastron is returned to its original state, ready to be triggered by the next input cycle. Consequently, the phantastron puts out one pulse for each ten cycles of input frequency; but note that it divides by 10 only at the one frequency - at other frequencies, if not readjusted, it divides by another factor, always producing pulses having practically the same period, regardless of the input frequency.

To prevent any of the nine intermediate input cycles from prematurely operating the phantastron, the input signal is fed through a diode gate (V109A in Fig. 3-2) which blocks input cycles during the phantastron cycle. The blocking is accomplished by connecting the diode plate to the plate of the phantastron V110, and biasing the diode cathode a few volts below the plate. When the phantastron plate voltage, and thus the diode plate voltage, is high, the diode gate is open and the input signal is passed to the phantastron. When the phantastron is triggered by an input signal, its plate voltage drops and cuts off the diode, thus closing the gate. The phantastron plate voltage remains down (and the gate closed) during nine periods of the input frequency. At the end of its cycle the phantastron plate voltage rises, the diode gate is opened and the next (10th) cycle triggers the phantastron.

The switching action in the phantastron circuit is as follows:

Refer to Fig. 3-2. Phantastron tube V110 is a special pentode in which the suppressor grid is tightly wound and can be used as a second control grid for the plate current, but not for the screen current. This feature makes it possible to switch the cathode current from plate to screen and vice versa. In this circuit the initial stable state has current going to the screen, 0 volts between control grid and cathode, and the cathode is 25 volts positive. The suppressor grid, being returned to ground, is thus negative, and blocks current to the plate such that cathode current goes to the screen grid.

When a negative input pulse is applied to the phantastron control grid, the cathode voltage drops, the negative bias on the suppressor is instantaneously removed and the cathode current switches to the plate. Current continues to the plate until the charge on C206 discharges through the series resistor R210, the control grid voltage returns in a positive direction, cathode voltage following until the suppressor-to-cathode bias is again negative and the plate current cut off. Actually the voltage on the suppressor is maintained constant by voltage divider R211, 212, and 213, while the control-grid and cathode voltage move together as in a cathode follower to affect the shift in suppressor-grid bias. This shift in bias is held by the time constant of timing capacitor C206

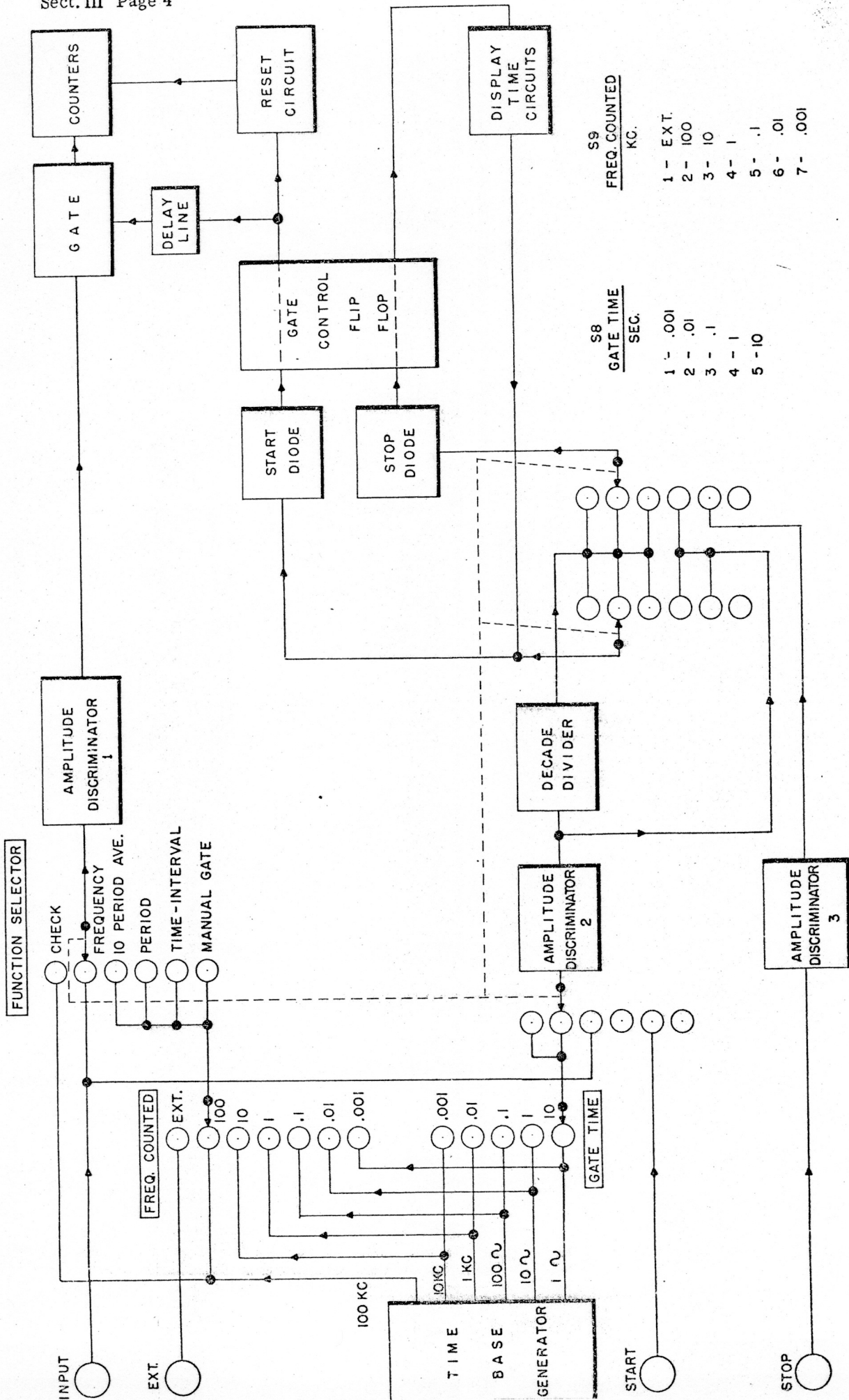


Figure 3-3. Block Diagram of Model 522B



and its series resistor R210, the positive charge curve being applied to the control grid of the tube.

### 3-5 DECADE FREQUENCY DIVIDER

This unit is required primarily for dividing input frequencies by ten during 10 PERIOD AVERAGE measurement. It is also used during frequency measurement to divide the STD. GATE TIME timing signals from the Time Base so that STD. GATE TIMES from 0.001 to 10 seconds can be obtained from the standard frequencies of 10 kilocycles to 1 cycle per second obtained from the phantastron dividers. This unit, unlike the phantastron divider, is not sensitive to its operating frequency and will divide by ten at any frequency up to approximately 10 kilocycles. The operation of the decade divider is described below.

The Decade Divider consists of four cascaded binaries (bistable multivibrator), each triggered by the previous binary. Consequently, the cycles fed to the input are divided by two in the first binary (since the first pulse switches the binary to the opposite state and a second input cycle is required to return it to the original state) and again by two in the second binary (to make a total division by four) and so on, with an expected total division of sixteen at the output of fourth binary. The desired division of ten is obtained by two feedback loops to the second and third binaries so that the eighth input pulse will be reset to the states they would be in had they received 14 impulses at the input. Consequently, after the ninth and tenth input cycles are received, the desired final output pulse is produced. This action is identical to the action of the AC-4 Decade Counter without its indicating lights, and in general the voltages and waveforms are the same.

The basic unit in a decade divider is a bistable multivibrator. The bistable multivibrator has two stable states, A-side conducting, B-side cut off, and vice versa. The circuit remains in either state until a negative pulse is applied to the common plate-load resistor to switch conduction to the opposite side. The grids are biased so that positive pulses will not switch the circuit. A negative input pulse does not affect the tube that is cut off but decreases conduction in the tube that is conducting. This will increase its plate voltage and in turn the grid voltage of the tube that is cut off. This regenerative action continues until conduction has switched from one tube to the other.

The input is applied to the common plate circuit for simplicity, and since the plates and grids are interconnected the input signal is also applied to the grids.

### 3-6 AMPLITUDE DISCRIMINATOR

Amplitude Discriminators are used to develop the fast-rise pulses required to operate subsequent binaries at a certain voltage level on the driving waveforms. For example: a sine wave applied to the input connector for frequency measurement must be converted into constant-amplitude, fast-rise pulses to operate the indicating counter units reliably. Input signals for period measurements must be converted into constant-amplitude, fast-rise pulses for precise opening and closing of the Counted Signal Gate.

The essential part of the Amplitude Discriminator, a Schmitt Trigger, produces a large, sharp output pulse regardless of the shape of the signal that triggers it. In addition, the discriminator can be adjusted by its sensitivity adjustment so that it will produce the output pulse when the input signal reaches a certain voltage level. Each discriminator is preceded by a differential amplifier so that a substantial trigger operating voltage is assured. The operation of the Schmitt Triggers is described below.

A Schmitt Trigger consists of two amplifiers (twin-triode tube), each having both d-c plate-to-grid and cathode-to-cathode coupling from A triode to B triode. The circuit has two stable states; A side fully conducting, B side cut off; B side fully conducting, A side cut off. The circuits remain in either stable state until driven to the switching point by the differential amplifier.

The d-c voltage level applied to the A-side grid determines which state the circuit will be in. If the grid voltage is more positive than a certain established level, A side will conduct and B side will not; if more negative than that same level, A side will cutoff and B side will conduct. Each time the A-side grid voltage crosses this threshold in the opposite direction, the circuit changes state. In practice, the threshold voltage is slightly more positive when moving the grid in a positive direction, and slightly more negative when moving the grid in a negative direction. The range between the two different voltage levels is the hysteresis of the circuit. Hysteresis is the limiting factor on sensitivity since the input voltage must swing through both hysteresis limits to produce an output pulse. The hysteresis of this circuit should be adjusted to give a sensitivity between 0.1 and 0.2 volt.

The manner in which the Schmitt Trigger changes state is as follows:

If A side is cutoff and B side is conducting, and the A side grid voltage is gradually made more positive, a grid voltage will be reached that will cause A side to conduct. When A side begins to conduct its plate



voltage drops, which in turn drops the grid voltage of B side, and cuts B side off. As B side cuts off its cathode voltage goes more negative. Since the cathodes are direct coupled, this constitutes positive feedback and further drives A side into conduction until plate saturation is reached. This action is very rapid and when completed, the Schmitt Trigger is in the opposite stable state. It will remain in this state until the voltage level of the A-side grid is moved negatively until the lower hysteresis limit is crossed and A side is cutoff. The above process is then repeated in the opposite direction.

### 3-7 SIGNAL GATE SECTION

The circuits of the Signal Gate Section are shown in the Gating Section and Switching Section Schematic Diagrams at the rear of the manual. In order of signal progress through the section, it consists of the FUNCTION SELECTOR switch circuits which select the desired type of measurement; an Amplitude Discriminator plug-in unit which shapes the counted signal waveform into sharp pulses without affecting the important information - the frequency; the Counted Signal Gate which permits the signal-to-be-counted to pass to the indicating counters, or blocks it; the Gate Control Binary which opens and closes the Counted Signal Gate; the Decade Counter plug-in units described in the supplementary manual at the rear of this manual; and the Counter Reset and Display Time circuits. Each of these circuits is described separately in other paragraphs in this section.

### 3-8 SIGNAL GATE

The Signal Gate is a single triode section of a dual-triode tube. The signal to be counted and the opening-closing control signals are both applied to the control grid of this tube. When the control signal holds the control grid below cutoff, the signal to be counted does not appear in the plate circuit. When the control signal returns the grid to its normal operating voltage, the Signal Gate is a normal amplifier and the signal to be counted is passed to the indicating counter units.

For frequency measurements, the input signal is fed through the gate to the counters, while the gate is opened and closed by precision timing signals from the Time Base Section. For time interval and period measurements the gate is opened and closed by the input signal, while a standard frequency from the Time Base Section is fed through the gate to the counters.

### 3-9 GATE CONTROL BINARY

The Gate Control Binary, V103A and B opens and closes the Signal Gate by raising and lowering the grid voltage on the Gate tube. In addition, the Gate Binary starts the Reset Circuit just before it opens the Signal Gate, and also starts the Display Time Circuit when it closes the Signal Gate. The Gate Binary is actuated either by precision timing signals from the Time Base Section during FREQUENCY measurement, or by a signal from the INPUT connector for PERIOD and 10 PERIOD AVERAGE measurements, or by the front panel RESET button.

The duty of Gate Control Binary is to trigger the Reset Circuit, open and close the Counted Signal Gate and start the Display Time Circuit.

The Gate Control Binary is a bistable multivibrator which is triggered by negative pulses. For frequency measurement, the negative trigger pulses to start and stop the measurement are obtained from the Time Base Section and are applied to both sides of the binary. For time-interval measurements the negative trigger pulses to start and stop the measurements are obtained from the input connectors and can either be applied to both sides of the binary or they can be kept separate, with the start signal going to B side and the stop signal going to the A side of the binary.

During automatically repetitive measurements, the negative trigger pulses alternately switch conduction from one side of the binary to the other side. Before a measurement is begun V103A is cut off, V103B is conducting and its low plate voltage cuts off the Counted Signal Gate tube. To begin a measurement a negative pulse applied to the binary cuts B side off, which immediately triggers the Reset Circuit and returns all indicating counter units to 0. Twenty microseconds later, the same signal having passed through a delay line, opens the Counted Signal Gate. The twenty-microsecond delay allows time for the circuits of the indicating counters to stabilize before they begin counting. The subsequent negative trigger pulse applied to the Gate Binary cuts V103A off (returning the binary to its original state), closes the Counted Signal Gate and starts the Display Time Circuit.

The negative trigger pulses are coupled into the Gate Binary through two diodes serving as gates to the pulses. The gate to each grid is biased by the voltage at the opposite plate. When A side is conducting, its plate voltage is low and biases the B-side gate so that incoming negative trigger pulses to B side are blocked. Consequently only a conducting side can be triggered. The operation of the gate binary circuit is similar to the binary in the decade divider and decade counters.

### 3-10 DISPLAY TIME CIRCUIT

The Display Time Circuit determines how long an answer will be displayed before the next count is begun. Display time is started by the Gate Binary when it closes the Counted Signal Gate, and the Display Time Circuit prevents a new trigger pulse from reaching the Gate Binary to and start a new count. This is done by biasing the Gate Binary's B-side (start channel) diode gate beyond cutoff. The counter will then continue to display the last count until the start-channel diode gate is reopened.

The Display Time Circuit's action begins when the Gate Binary B side fires the Display Time Thyatron as the A side closes the Counted Signal Gate. Display Time Thyatron V107 starts the display time by charging C123 positively and switching Display Time Discriminator V104 so it produces a positive output voltage. The positive output voltage applied to the cathode of Diode Gate V102B, closes the gate and prevents trigger pulses from reaching the Gate Binary. The display holding action continues until C123 discharges through R165 and decreases the grid (pin 6) voltage on Display Time Discriminator V104 and retriggers V104 to produce a negative output voltage. The negative output voltage from the Display Time Discriminator reopens Diode Gate V102B and permits the next negative pulse to operate the Gate Binary and start a new measurement.

### 3-11 RESET CIRCUIT

The Reset Circuit generates a strong positive pulse which resets all indicating counter units to "0" before each new count is begun. During automatic, repetitive measurements, Reset Thyatron V105 generates this positive pulse when it is triggered by the same positive pulse from the A side of Gate Binary V103 that opens the Counted Signal Gate to start a new count. The pulse to the Signal Gate is delayed twenty microseconds by Delay Line DL101 to give the counter circuits time to reset and stabilize before they receive the new signals.

The manual RESET button generates a positive pulse for resetting the counters by ungrounding the reset wire so that its potential automatically rises approximately 40 volts positive.

The positive reset pulse for the counters also resets the decade divider to the beginning of its division cycle so that it will divide the next input signal by ten.

### 3-12 TIME INTERVAL INPUT CIRCUITS

During time interval measurements, the measurement start and stop input signals are fed to separate, identical Amplitude Discriminators which generate strong trigger pulses as the input voltage levels pass the levels indicated by the TRIGGER LEVEL VOLTS controls. The sharp pulses produced by the Amplitude Discriminators are fed directly to the Gate Control Binary which in turn operates the Counted Signal Gate to make the measurement.

The TRIGGER LEVEL VOLTS controls in the START and STOP input circuits determine the input voltage level that will start and stop a time interval measurement by simultaneously attenuating the input signal and applying a negative bias voltage to the Amplitude Discriminators. When the TRIGGER LEVEL controls are set to zero, there is a fixed attenuation of 4 to 1 and no d-c bias on the Amplitude Discriminator, which triggers as its input signal voltage passes through zero volts. When the TRIGGER LEVEL control is set to +100, there is an attenuation of 20 to 1 and a d-c bias of -5 volts so that the input signal is reduced to +5 volts, just sufficient to override the -5-volt bias and trigger the Amplitude Discriminator. Any d-c voltage accompanying the signal applied to the input connectors will alter the d-c bias and render the control calibrations inaccurate.

### 3-13 POWER SUPPLY

The power supply section supplies +330 vdc unregulated at 75 ma, +200 vdc regulated at 80 ma, -105 vdc regulated at 25 ma and -175 vdc unregulated for the circuits of the counter. The positive regulated voltage is obtained from an electronic regulator circuit, V117, V118 and V119 while the negative regulated voltage is obtained from gaseous voltage regulator tube V119. The unregulated voltages are obtained from the power sources for the voltage regulators.

The +200 volt regulator is a two stage, direct coupled, feedback amplifier. V117 is the series regulator tube and carries the total load current. V118 controls the resistance of V117 to keep the output voltage constant over a wide range of load currents and line voltage fluctuations. Any increase in output voltage will make the grid of V118 more positive; this will increase its plate current and in turn decrease the bias on V117. Increasing the bias on V117 increases its resistance and return the output voltage to the original value. A decrease in output voltage will have the reverse effect on the circuit. V119, a voltage regulator tube, supplies a constant fixed bias for V118.

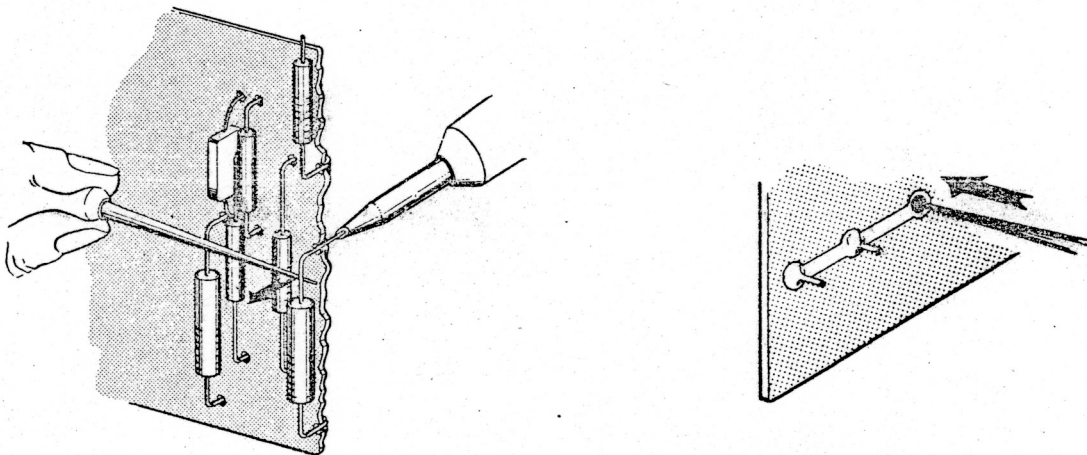
### SERVICING ETCHED CIRCUIT BOARDS

#### CAUTION

When servicing printed circuits **DO NOT** push or pull wires in such a way as to raise the printed wiring from the board.

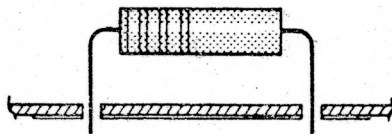
When soldering leads, use 50 watt iron or smaller. Apply heat sparingly to the leads on the part to be replaced, not to the printed wiring on the board.

Before installing new parts, clean holes to receive new part without forcing. Have new leads tinned and if necessary fluxed to receive solder quickly with a minimum of heat and without residue.

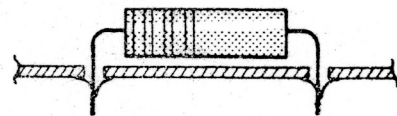


1. Apply heat sparingly to lead of part to be replaced. Remove part from card as iron heats the lead.

2. Using a small awl, carefully clean inside of hole left by old part.



3. Bend clean leads on new part and carefully insert through holes on board.



4. Hold part against board and solder leads.

Figure 4-1. Diagram Showing how to Replace Parts Mounted on Etched Circuit Boards



# SECTION IV MAINTENANCE

## 4-1 REMOVING THE INSTRUMENT CABINET

(Cabinet Model)

- a. Remove the four screws that fasten the rear cover to the instrument and take off the rear cover.
- b. Rotate the instrument so the panel is straight up and the bottom is toward you.
- c. Remove the two 3/16-inch Allen set screws on the bottom near the panel.
- d. Lift the cabinet off the instrument.

(Rack Model)

- a. Remove the four screws on the back of the instrument, to allow the dust cover to slide back.
- b. The bottom plate is removed by means of four screws, one in each corner.

## 4-2 CLEANING THE AIR FILTER

Rack mounted units are equipped with an air filter which should be cleaned frequently. The air filter is located at the rear of the instrument and is a washable type.

To clean the air filter proceed as follows:

- a. Remove the filter from the instrument and take off any large accumulation of dirt by vacuuming or gently tapping with the dirty side down.
- b. Direct a stream of hot water at the intake side of the filter to flush out the dirt and old adhesive.
- c. Shake out excess water and allow the filter to dry.

d. Spray R-P Filter Coat No. 2 (or light machine oil) on the intake side of the filter until the visible baffles are liberally coated. Warning: Do not apply so much adhesive that it runs or drips off the surface of the filter. Air Filter oil is available at most heating supply stores.

e. The filter is now ready for service and should be replaced in the instrument with the coated (intake) side toward the outside of the cabinet.

## 4-3 SELF CHECK

The self-check feature that has been incorporated into the Model 522B should be used to check the operation of the instrument if any trouble is suspected. In the CHECK position of the FUNCTION SELECTOR switch the instrument counts the internal 100-kc oscillator for periods of time determined by the position of the FREQUENCY UNIT switch. This checks the major portion of the instrument and should be the first step when trouble is suspected. The self check procedure is described below.

Set the panel controls as follows:

FUNCTION SELECTOR to CHECK  
STD. GATE TIME selector as indicated below  
MANUAL GATE closed  
DISPLAY TIME - min.

STD. GATE TIME	Correct Indication
.001	00100. kc
.01	0100.0 kc
.1	100.0 kc
1.	00000. cps
10.	0000.0 cps

Always check the instrument in the sequence indicated, starting with the shortest Gate Time. With a 1 SEC gate time one digit will be off the register. Faulty operation will be indicated by something other than all zeros on the register. With a 10 SEC gate time two digits will be off the register and it will be necessary to count the number of complete cycles

(0 to 9) the left hand counter goes through during the counting cycle. Ten complete cycles on the left hand counter indicates correct operation with a 10 SEC gate time.

If the above indications are obtained from the instrument it indicates that the majority of the circuits are operating properly. If the indication for a particular gate time is always K times the correct indication, where K is a factor such as .8, .9, 1.1, 1.2 etc., or a product of two or more of these factors, it indicates that a phantastron frequency divider circuit is out of adjustment. Refer to paragraph 4-6 of this manual for phantastron adjustment procedure. Refer to paragraph 4-11 of this manual for complete trouble shooting procedure.

#### 4-4 ADJUSTING THE POWER SUPPLY

Measure the +200 volt regulated supply on pins 3 and 6 of V117. Adjust R174 (marked 200V), located on the top of the chassis, until the regulated voltage is exactly 200 volts as indicated on the most accurate meter available.

#### 4-5 ADJUSTING THE AMPLITUDE DISCRIMINATOR UNITS

a. Set the panel controls as follows:

FUNCTION SELECTOR to 10 PERIOD AVERAGE  
TIME UNIT selector to MILLISECONDS  
DISPLAY TIME control to minimum  
MANUAL GATE switch closed.

b. Set R118 and R119 (SENS UNIT's 1 and 2) to their maximum clockwise positions.

c. Connect a 1000 cycle voltage having an amplitude of .5 volts rms to the input terminal.

d. Adjust R2 (located on top of discriminator 2), using a small screwdriver that will not short the shaft to ground, to the center of the range that produces an indication of approximately 1 millisecond. Watch the neon indicator on the panel to be sure it is flashing on and off when making these adjustments.

e. Reduce the input voltage to approximately .15 volts rms and rotate R119 (SENS UNIT 2) counterclockwise until the instrument just begins to produce an indication of approximately 1 millisecond.

f. Repeat step d. with the reduced input voltage and then repeat step e. starting with R119 again at

its maximum clockwise position and rotating it counterclockwise. Watch the flashing neon indicator to make sure the instrument is operating properly.

g. Reset the panel controls as follows:

FUNCTION SELECTOR to FREQUENCY  
FREQUENCY UNIT selector set for a gate time of .1 seconds.

h. Increase the amplitude of the 1000 cycle input voltage to 0.5 volt rms.

i. Adjust R2 (located on top of discriminator 1), using a small screwdriver, to the center of the range that produces an indication of approximately 1000 cycles.

j. Reduce the amplitude of the input voltage to 0.15 volts rms and rotate R118 (counterclockwise) until the instrument just begins to indicate approximately 1000 cycles.

k. Repeat step i. with the reduced input voltage and then repeat step j. starting with R118 maximum clockwise and rotating it counterclockwise until 1000 cycles.

#### 4-6 ADJUSTING THE PHANTASTRON FREQUENCY DIVIDERS

Each phantastron frequency divider must be adjusted to divide by ten. These dividers must be adjusted in the order indicated since the low frequency dividers obtain their input from the higher frequency units.

Set the controls as follows:

FUNCTION SELECTOR to CHECK  
FREQUENCY UNIT selector as indicated below  
MANUAL GATE switch closed  
DISPLAY TIME control minimum

Set the FREQUENCY UNIT switch for a STD. GATE TIME of .001 SEC. and adjust the 10 kc control (R211), located on top of the chassis, until an indication of 00100 is obtained. Indications of 00090, 00100, and 00110, indicating division by 9, 10, or 11, may be obtained with this control. The correct setting for the control is the center of the range that produces an indication of 00100.

All adjustments are available on top of the chassis and are clearly marked. Make all adjustments in the order listed below following the same procedure outlined for the 10-kc phantastron.

	STD. GATE TIME SEC.	Adjust	Desired Count
1.	.001	R211 10 kc	00100. (kc)
2.	.01	R220 1 kc	0100.0 (kc)
3.	.1	R229 100 $\nu$	100.00 (kc)
4.	1.	R238 10 $\nu$	00000 (cps)
5.	10.	R247 1 $\nu$	0000.0 (cps)

In step 5 above the desired count is off register and it is necessary to watch the left hand counter and count the number of complete counting cycles (0 to 9 and back to 0) it goes through. When the 1 $\nu$  phantastron is properly adjusted, the left hand counter will go through 10 complete counting cycles and stop at zero. In step 4 the desired count is also off register but incorrect adjustment will be indicated as a number other than zero on the left hand counter.

#### 4-7 ADJUSTING THE AMPLITUDE DISCRIMINATOR

##### NOTE

Adjustment of Amplitude Discriminator Unit 2 should be made before proceeding with Unit 3.

Set the controls as follows:

FUNCTION SELECTOR to TIME INTERVAL  
Start and Stop TRIGGER LEVEL controls to zero  
DISPLAY TIME control to minimum  
SEP. -COM. switch to COM.  
TIME UNIT to MILLISECOND  
TRIGGER SLOPE switches to opposite polarities  
(one to + and the other to -)  
MANUAL GATE switch closed.

- Set R122 (SENS UNIT 3) to its maximum clockwise position.
- Connect a 100-cycle voltage having an amplitude of 3 volts rms to either the START or STOP input terminal.
- Adjust R2 located on top of Amplitude Discriminator 3 (using a small screwdriver that will not

short the shaft to ground) to the center of the range that produces a stable indication. Watch the panel neon indicator to make certain the instrument is operating properly.

- Decrease the input voltage amplitude to .6 volt rms and rotate R122 (counterclockwise) until the instrument just produces a stable indication. Watch the neon indicator to make certain the instrument is operating properly.
- Repeat step c. with the reduced input voltage and then repeat step d. starting with R122 maximum clockwise and rotating it counterclockwise until the instrument just produces a stable indication.

#### 4-8 ADJUSTING THE DECADE COUNTER INPUT

The amplitude of the driving pulses for the decade counter units is adjusted by means of R184. This control is located under the chassis, just below the PHOTOTUBE VOLTAGE connector on the back of the instrument. This control sets the bias on the gate tube (V101A) when the gate is open (neon indicator on).

Set the controls as follows:

FUNCTION SELECTOR to CHECK  
FREQUENCY UNIT switch to any GATE TIME  
MANUAL GATE switch to OPEN

Connect a vtvm to pin 2 of V101. Adjust R184 to get -16 to -18 volts of bias on pin 2 of V101 with MANUAL GATE switch open.

If the bias is set correctly, the instrument should indicate exactly 100 kc when on SELF CHECK over line voltage range at 103 - 127 volts. If the indication is off by  $\pm 1$  count, it is due to a phase difference between the gate control pulses and the counter input waveform, an error that is always present in this type of counter. This phase difference may be corrected by adjusting the bias on V101 slightly.

If this does not compensate, trouble may exist in the Signal Gate or Gate Control Circuits. If the  $\pm 1$  count error can not be corrected by increasing the Gate tube bias there will be no adverse effect on the accuracy of the instrument. (Refer to Section 2-3). The important item is to insure adequate driving-pulse amplitude for the decade counter units.



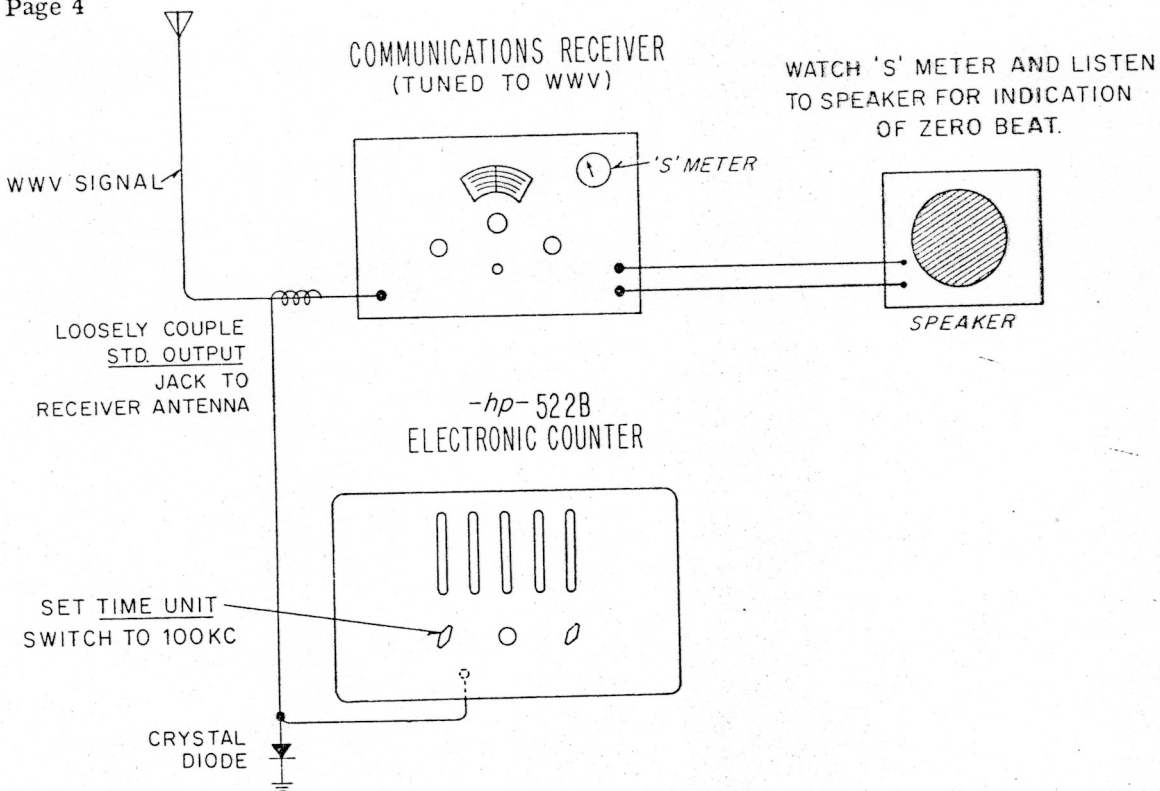


Figure 4-2. Diagram showing instrument set-up for standardizing the 522B's internal 100-kc oscillator against WWV

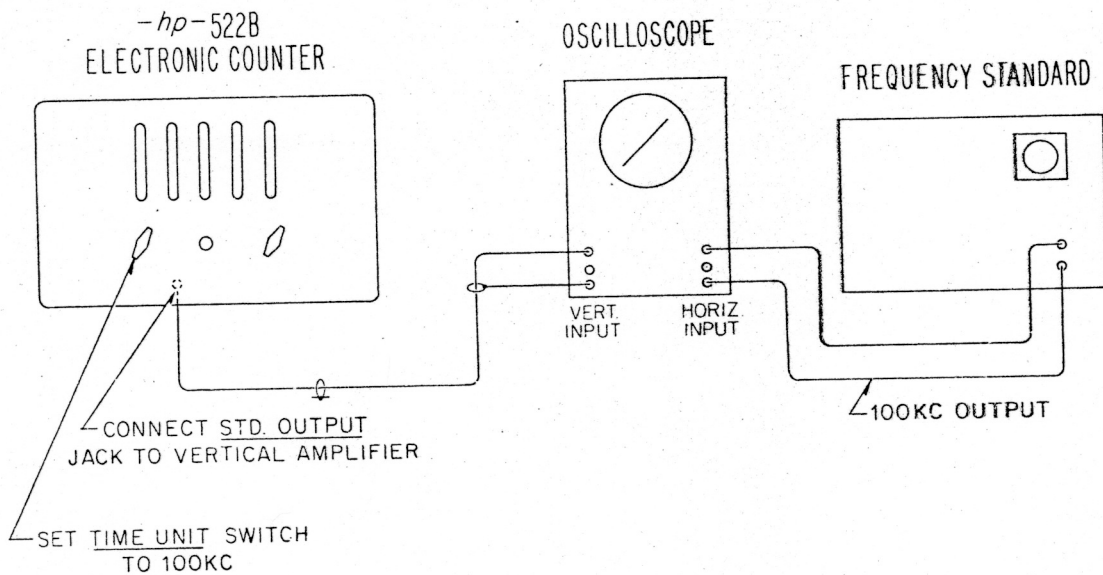


Figure 4-3. Diagram showing instrument set-up for standardizing the 522B's internal 100-kc oscillator against a local frequency standard

**4-9 STANDARDIZING THE 522B AGAINST WWV**

The accuracy of the 100-kc crystal is 10 parts per million or .001 percent, and in general no adjustment will be necessary. To maintain the best possible accuracy, the 100-kc standard frequency should be checked weekly against WWV or a primary frequency standard, and if necessary, adjust to bring exactly on frequency. The typical degree of adjustment that may be required to bring exactly on frequency is between 0.01 and 0.1 cycle. Consequently, unless the external standard frequency and the method of comparison have great enough accuracy and resolution, do not attempt adjustment of the 100-kc oscillator.

The following paragraphs give two procedures for comparing and adjusting the 100-kc internal standard frequency. The first and most accurate method beats a harmonic of the 100-kc standard output from the 522B with one of the standard frequencies broadcast by WWV and requires a communications receiver. The second method is for use when the broadcast from WWV is not obtainable and requires a local primary or secondary frequency standard and an oscilloscope as the comparison device.

Refer to Figure 4-2 and proceed as follows:

- a. Turn on the 522B and allow to warm up for 30 minutes.
- b. Set the TIME UNIT selector to 100 KC.
- c. Connect the STD. OUTPUT connector on the rear of the instrument to harmonic generator such as a crystal diode.
- d. Loosely couple the output of the crystal diode to the antenna of a communication receiver that is tuned to one of the frequencies of radio station WWV.
- e. Adjust C202 located on the chassis near the 100-kc crystal until a zero-beat is obtained. In most cases only a slight adjustment will be necessary; both capacitors should be adjusted an equal amount for best stability. As a zero-beat is approached, WWV's 400 cycle audio tone will begin to wobble, until at exact zero-beat the tone will be constant. If an audible zero-beat is not readily obtained, an 'S' Meter on the receiver can be used to obtain a visual indication.
- f. If necessary, adjust coupling wire to the antenna for loudest beat; disconnect coupling wire to verify beat.

**4-10 STANDARDIZING THE 522B AGAINST A LOCAL FREQUENCY STANDARD**

Refer to Figure 4-3 and proceed as follows:

- a. Turn on the 522B and allow to warm up for 30 minutes.
- b. Set the TIME UNIT selector to 100 KC.
- c. Connect the STD. OUTPUT connector on the rear of the instrument to the vertical amplifier on an oscilloscope; connect the 100-kc output from a frequency standard to the horizontal amplifier.
- d. Adjust the gain of the oscilloscope amplifiers to obtain a large clear picture similar to that illustrated.
- e. Note the rate of movement of the oscilloscope pattern. If it moves at the rate of 1 revolution per second the two frequencies differ by one cycle. If it moves at the rate of 1 revolution per ten seconds the difference is 0.1 cycle, etc.
- f. Adjust C202 located on the chassis near the 100-kc crystal until the pattern is stationary. In most cases only a slight adjustment will be necessary; both capacitors should be adjusted an equal amount for best stability.

**4-11 TROUBLE ISOLATION**

Before removing a faulty instrument from its cabinet, the following series of checks should be performed. This procedure will save time and in most cases isolate the trouble to a particular portion of the circuit. The only external test equipment required for this series of checks is an oscillator that will provide a 100 cps, 10-volt rms output.

All tests should be performed in the sequence given. This is important since each check is based on all previous checks giving normal indications.

When a tube is listed as a possible cause of trouble, the associated circuits should also be checked. In many cases tube replacement will eliminate the trouble, but if this does not work, it will be necessary to check the associated components.

Refer to the appropriate Adjustment Sections of this manual for all adjustment procedures listed in the table.

## Trouble Isolating Procedure

TEST PROCEDURE	NORMAL INDICATION	NOT NORMAL, POSSIBLE TROUBLE
<p>1. Turn POWER switch ON</p> <p>2. Set FUNCTION SELECTOR on MANUAL GATE, TIME UNIT switch on 100 KC, MANUAL GATE OPEN.</p> <p>3. Switch TIME UNIT to 10 KC.</p> <p>4. Set TIME UNIT switch to 1, .1, .01 and .001 KC in order.</p> <p>5. Set FUNCTION SELECTOR to PERIOD, TIME UNIT switch to 100 KC, DISPLAY TIME-MIN, MANUAL GATE closed, INPUT - 100%, approx. 10V RMS.</p> <p>6. Set FUNCTION SELECTOR to 10 PERIOD AVERAGE, other controls as indicated above.</p> <p>7. Set FUNCTION SELECTOR to TIME INTERVAL, SEP. COM. switch to COM., TRIGGER SLOPE switches both +, TRIGGER LEVEL VOLTS controls on 0, TIME UNIT switch to 100 KC, MANUAL GATE closed. START or STOP TRIGGER INPUT - 100% approx. 10 V. RMS.</p>	<p>Pilot light on, Tube filaments lit.</p> <p>Some number displayed on each counter unit.</p> <p>Neon indicator on (gate open).</p> <p>Counters should be counting continuously.</p> <p>Left hand counter should complete a cycle from 0 thru 9 and back to 0 in 10 seconds. Correct cycle is 01234567890123, ect.</p> <p>One counter should complete a cycle from 0 thru 9 and back to 0 in 10 seconds for each position of TIME UNIT switch.</p> <p>Cycles between counting and display, indicates 010.00 MILLISECS. (approx.)</p> <p>Cycles between counting and display, indicates 10,000 MILLISECS. (approx.)</p> <p>Cycles between count and display, indicates 010.00 MILLISECS. (approx.)</p>	<p>FUSE blown, pilot light burned out.</p> <p>No high voltage, check all power supply voltages.</p> <p>Check +200 volt supply, Replace V103 and check associated circuits. Check neon indicator.</p> <p>Check 100 KC oscillator. Replace V101. Check and adjust Amp. Disc. Unit 1. Check right hand decade counter (AC-4A) by replacing it with one of the other counter units.</p> <p>If no count, check 10 Kc frequency divider (V110 and V109). If counting cycle is wrong check counter unit.</p> <p>If no count, check corresponding frequency divider. If counting cycle is wrong check counter unit.</p> <p>Rapid cycle between count and display, DISPLAY TIME control has no effect, but count is correct, check V107 and V101B.</p> <p>Will not cycle between count and display: Count is continuous, neon lamp is on, check V102(A), V103, check and adjust Amp. Disc. Unit 2. No counting, neon lamp off, check V107, V104, V102(B), V103, check and adjust Amp, Disc. Unit 2. Count is cumulative, no reset after display, check V105.</p> <p>If no count, faulty Decade Divider. If count is wrong by a ratio of 1.2, 1.4, or 1.6 Decade Divider internal feedback is open.</p> <p>If count is continuous with no display, check and adjust AMP, DISC. unit 3.</p>



TEST PROCEDURE	NORMAL INDICATION	NOT NORMAL, POSSIBLE TROUBLE
<p>8. Set FUNCTION SELECTOR to CHECK, DISPLAY TIME-MIN, MANUAL GATE closed.</p>		
<p>STD GATE TIME .001 SEC.</p>	<p>Counts for .001 sec. then displays 00100. KC for .1 sec. and then repeats cycle.</p>	<p>If wrong count, 10 KC frequency divider out of adjustment. See Adjustment Section.</p>
<p>STD GATE TIME .01 SEC.</p>	<p>Counts for .01 sec. then displays 0100.0 KC for .1 sec. and then repeats cycle.</p>	<p>If wrong count, 1 KC frequency divider out of adjustment.</p>
<p>STD GATE TIME .1 SEC.</p>	<p>Counts for .1 sec. then displays 100.00 KC for .1 sec. and repeats cycle.</p>	<p>If wrong count, adjust 100<math>\sqrt{v}</math> frequency divider.</p>
<p>STD GATE TIME 1 SEC.</p>	<p>Counts for 1 sec. and displays 00000. CPS for 1 sec. then repeats cycle.</p>	<p>Count is correct if left hand counter goes through a complete cycle from 0 thru 9 and back to 0. If count is incorrect something other than all zeros will be displayed and 10<math>\sqrt{v}</math> frequency divider will need adjustment.</p>
<p>STD. GATE TIME 10 SEC.</p>	<p>Counts for 10 sec. then displays 0000.0 CPS for 10 sec., then repeats cycle.</p>	<p>Correct count will be ten complete cycles from 0 thru 9 and back to 0 on the left hand counter. If count is wrong, adjust 1<math>\sqrt{v}</math> frequency divider.</p>

#### 4-12 WAVEFORM

The waveforms in this section are reproductions of waveforms obtained with a -hp- Model 150A oscilloscope. An input probe with a voltage division ratio of 10:1 and an impedance of 10 megohms shunted by 10 uuf was used. Voltages given indicate the signal amplitude at the input to the probe.

Most waveforms were obtained with the oscilloscope synchronized from an external source in order to maintain the correct time relationships for a particular group of waveforms. In most maintenance work the actual waveshape will usually be more important than the time relationship to other waveforms of the

same group. For this reason, either + or - internal sync. will usually be more convenient than the type of sync. indicated.

Any reasonably good oscilloscope may be used to observe these waveforms. Check the response of the scope using a 1 kc square wave. If the scope will reproduce a good 1 kc square wave it will be adequate to observe the waveforms in this instrument. Some of the small irregularities in the waveforms may not be reproduced if the oscilloscope used does not have a wide bandwidth but the results should be adequate.

All waveforms were obtained with the FUNCTION SELECTOR in the CHECK position. The oscilloscope is the only external equipment required to observe these waveforms.

TIME BASE

Conditions of Observation:

Model 522B

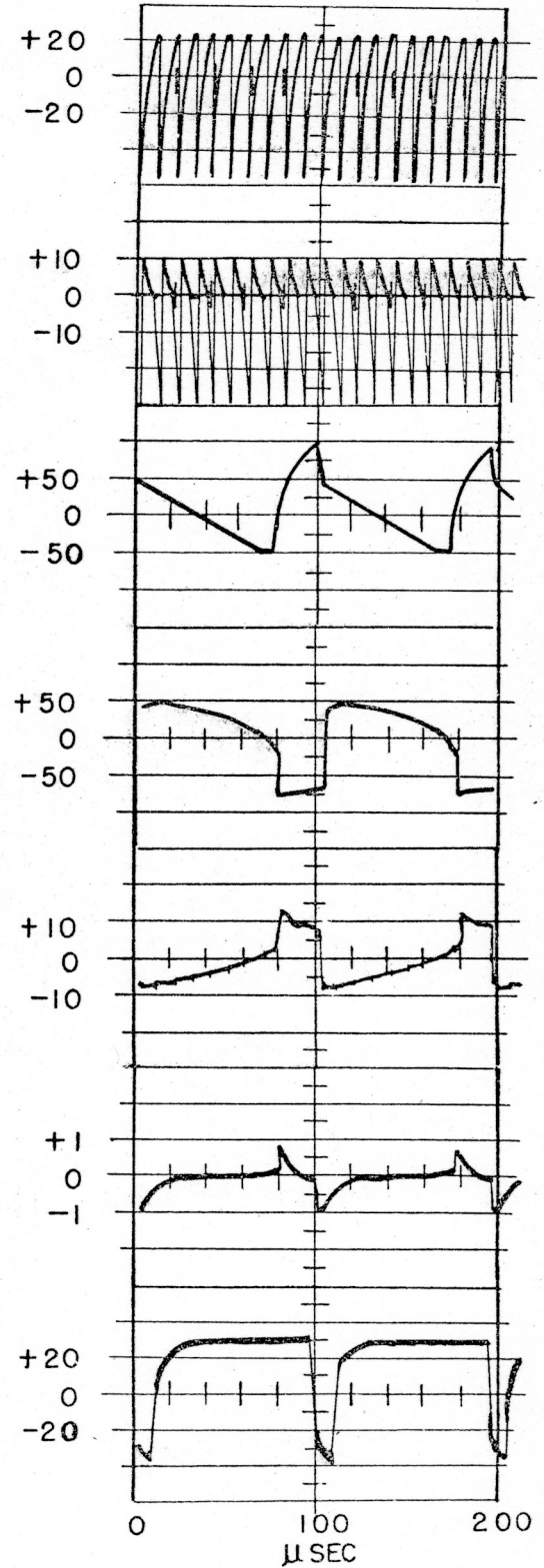
FUNCTION SELECTOR - CHECK

STD. GATE TIME - .001 SEC.

Line Voltage - 115

Oscilloscope  
Sweep - 20  $\mu$  sec/cm  
Sync. - EXT from pin 2 of  
V110

<u>No.</u>	<u>LOCATION</u>	<u>NOTES</u>
1	Pin 5 of V108	Output of 100 Kc crystal oscillator
2	Pin 5 of V109	Input to 10 Kc phantastron (100 Kc)
3	Pin 5 of V110	Plate of 10 Kc phantastron
4	Pin 6 of V110	Screen Grid of 10 Kc phantastron
5	Pin 2 of V110	Output (cathode) of 10 Kc phantastron
6	Pin 5 of Unit 2	Input to Amplitude Disc. Discriminator Unit 2 (10 Kc)
7	Pin 1 of Decade Divider	Input to Decade Divider and Output of Amplitude Discriminator Unit 2





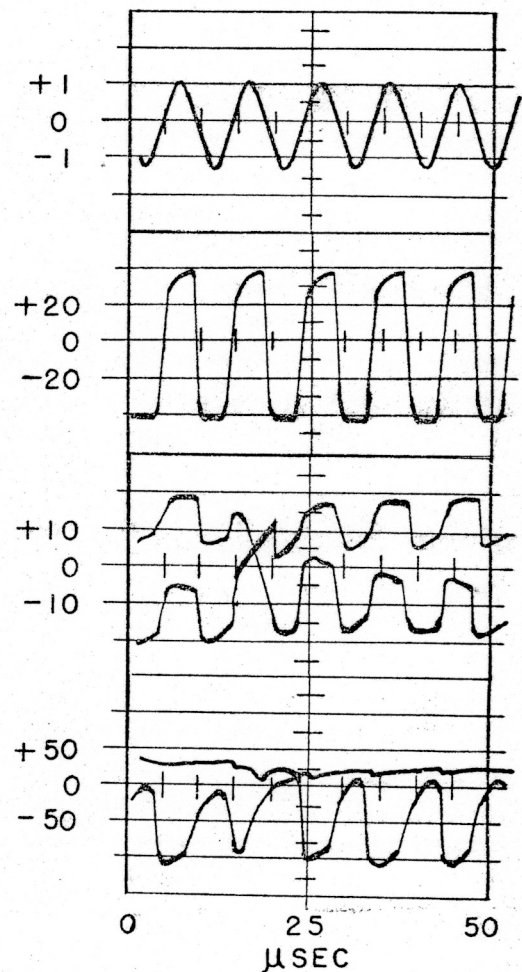
INPUT AND WAVESHAPING CIRCUITS

Conditions of Observation:

Model 522B  
 FUNCTION SELECTOR - CHECK  
 STD. GATE TIME - .001 SEC.  
 Line Voltage - 115

Oscilloscope  
 Sweep - 5  $\mu$ sec/cm  
 Sync - EXT. from the junction  
 of 2 - 5 $\mu$ f capacitors  
 that are series connected  
 between the plates of  
 V103 (pins 1 and 6).

<u>No.</u>	<u>LOCATION</u>	<u>NOTES</u>
8	Pin 5 of Amp. Disc. Unit 1	Input to Amplitude Discriminator Unit 1 (100 Kc)
9	Pin 3 of Amp. Disc. Unit 1	Output of Am- plitude Discrim- inator Unit 1 (Amp. Disc. Unit 1 is used as an input waveshaper)
10	Pin 2 of V101	Input to gate tube (V101) showing change in bias as gate opens and closes
11	Pin 1 of V101	Output of the gate tube and input to first Decade Counter showing effect of changing bias (See No.10)



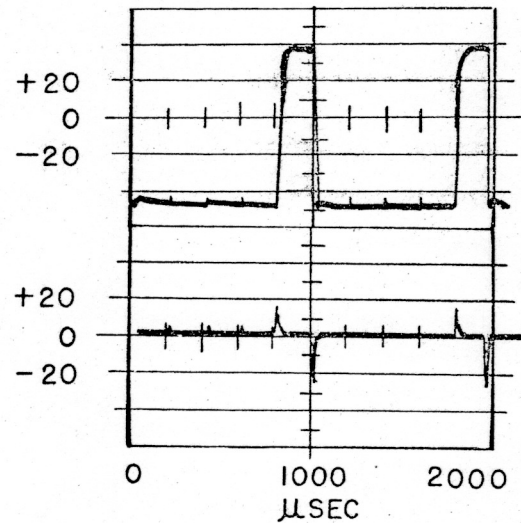
GATE CONTROL PULSES

Conditions of Observation:

Model 522B  
 FUNCTION SELECTOR - CHECK  
 STD. GATE TIME - .001 SEC.  
 Line Voltage - 115

Oscilloscope  
 Sweep - 200  $\mu$ sec/cm  
 Sync - EXT. from pin 2  
 of V111

<u>No.</u>	<u>LOCATION</u>	<u>NOTES</u>
12	Pin 2 of Decade Divider	Input to Gate Control Flip-Flop and Output of Decade Divider
13	Pin 5 of V102	Stop input to Gate Control Flip-Flop



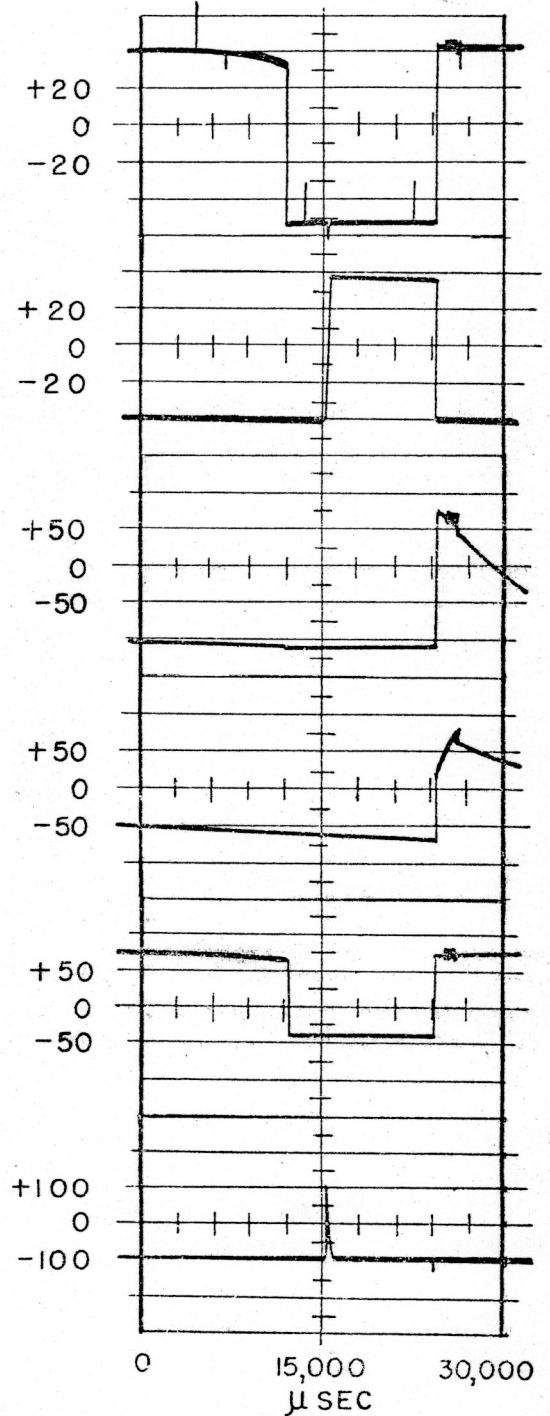
GATING SECTION

Conditions of Observations:

Model 522B  
 FUNCTION SELECTOR - CHECK  
 STD. GATE TIME - .01 SEC.  
 DISPLAY TIME - Min.  
 Line Voltage - 115

Oscilloscope  
 Sweep - 3000  $\mu$ sec/cm  
 Sync - EXT. from pin 2 of any  
 Decade Counter

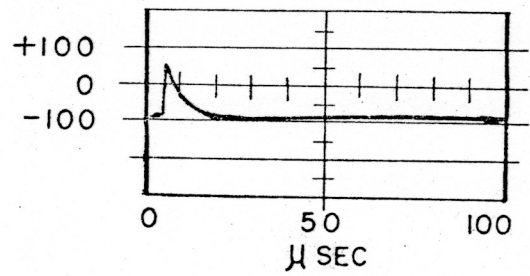
<u>No.</u>	<u>LOCATION</u>	<u>NOTES</u>
14	Pin 1 of V102	Start input to Gate Control Flip-Flop showing shift in bias due to Display Time Discriminator
15	Pin 1 of V103	Gate control pulse at input to Delay Network
16	Pin 2 of V107	Display Time Thyatron cathode pulse
17	Pin 8 of V101	Display Time Discriminator control voltage showing charge of C123
18	Pin 2 of V104	Output of Display Time Discriminator and bias for start diode
19	Junction of R149 and R150	Input to Reset Thyatron





GATING SECTION (cont.)

<u>No.</u>	<u>LOCATION</u>	<u>NOTES</u>
20	Pin 2 of any Decade Counter	Reset pulse



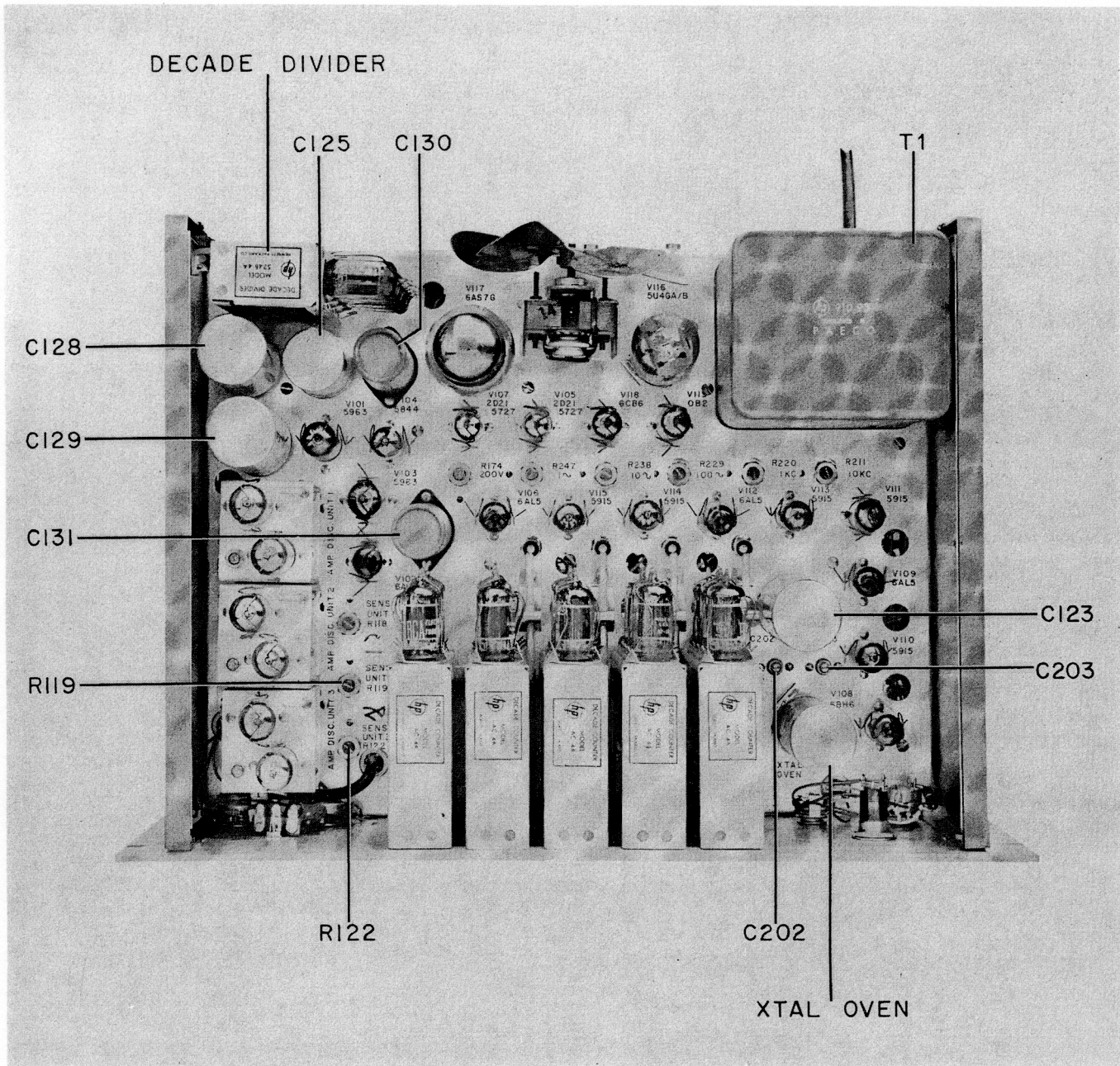


Figure 4-4. Model 522B Top View







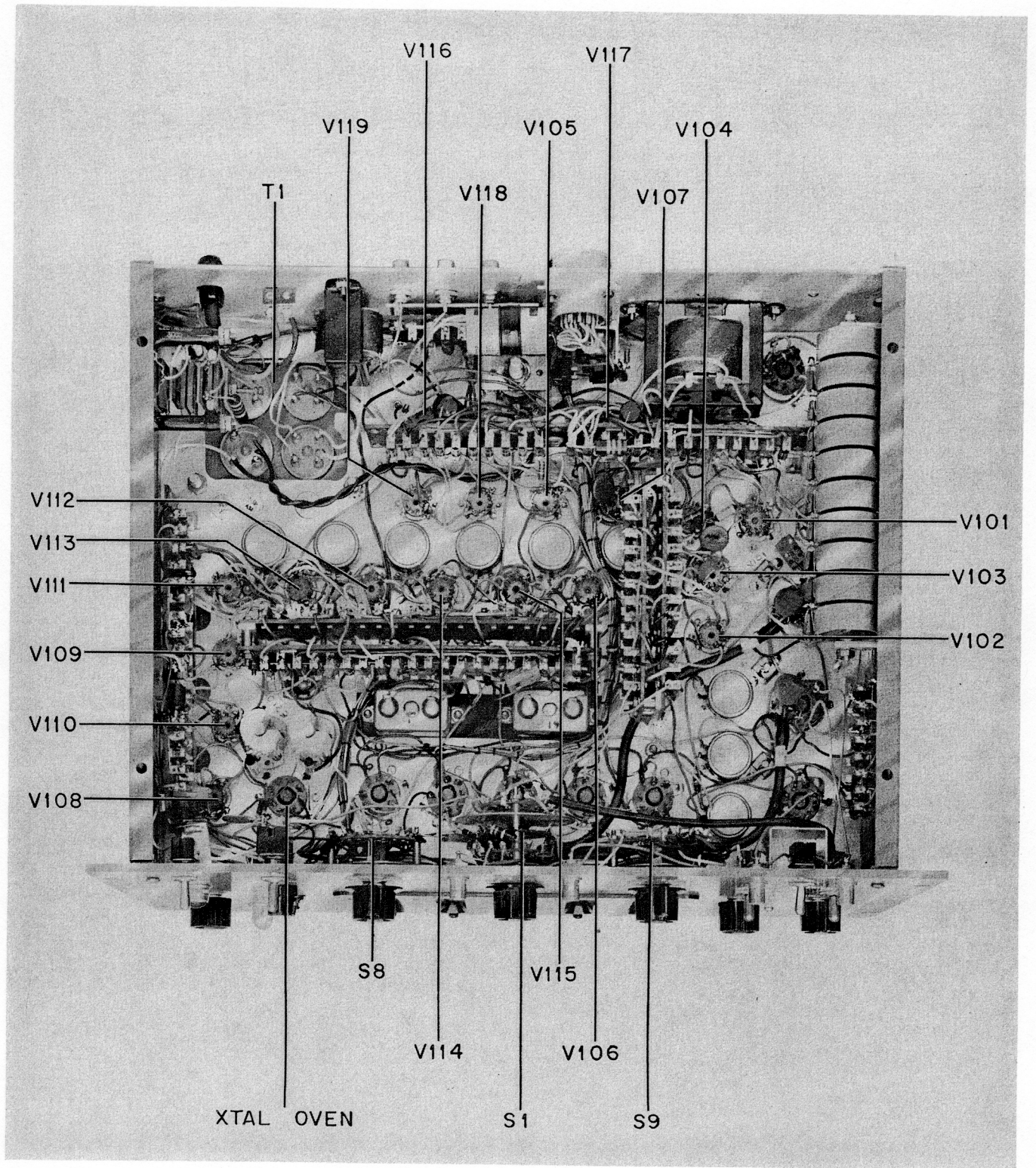
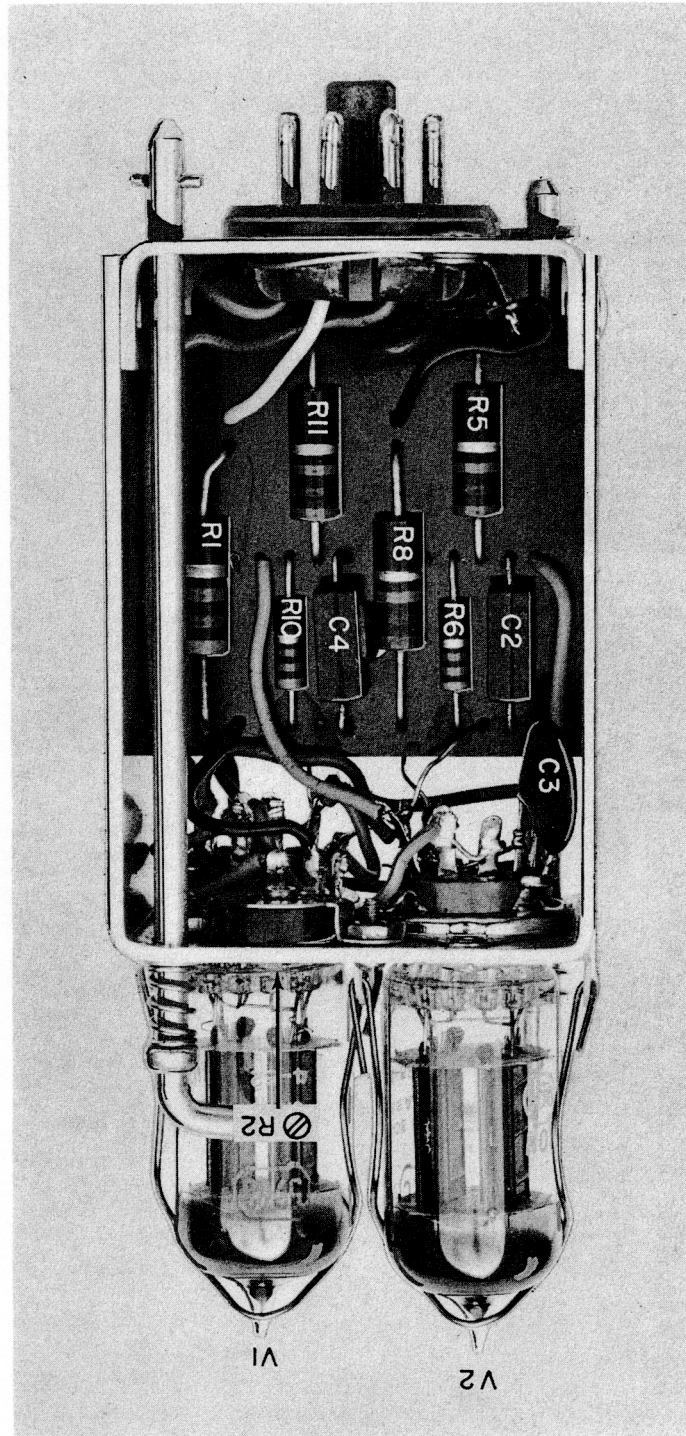
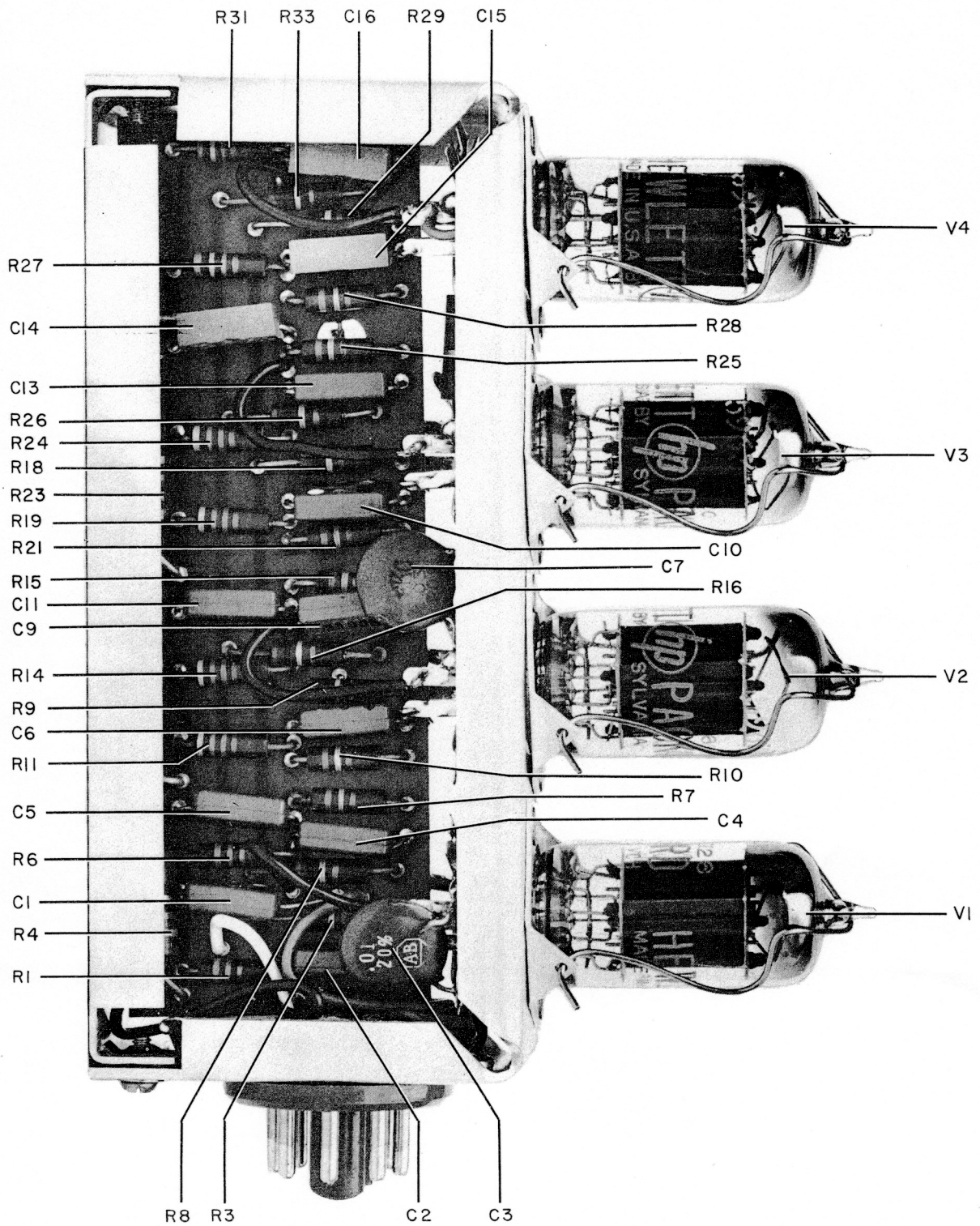


Figure 4-5B Bottom View

Figure 4-6. Model 522B Amplitude Discriminator Unit



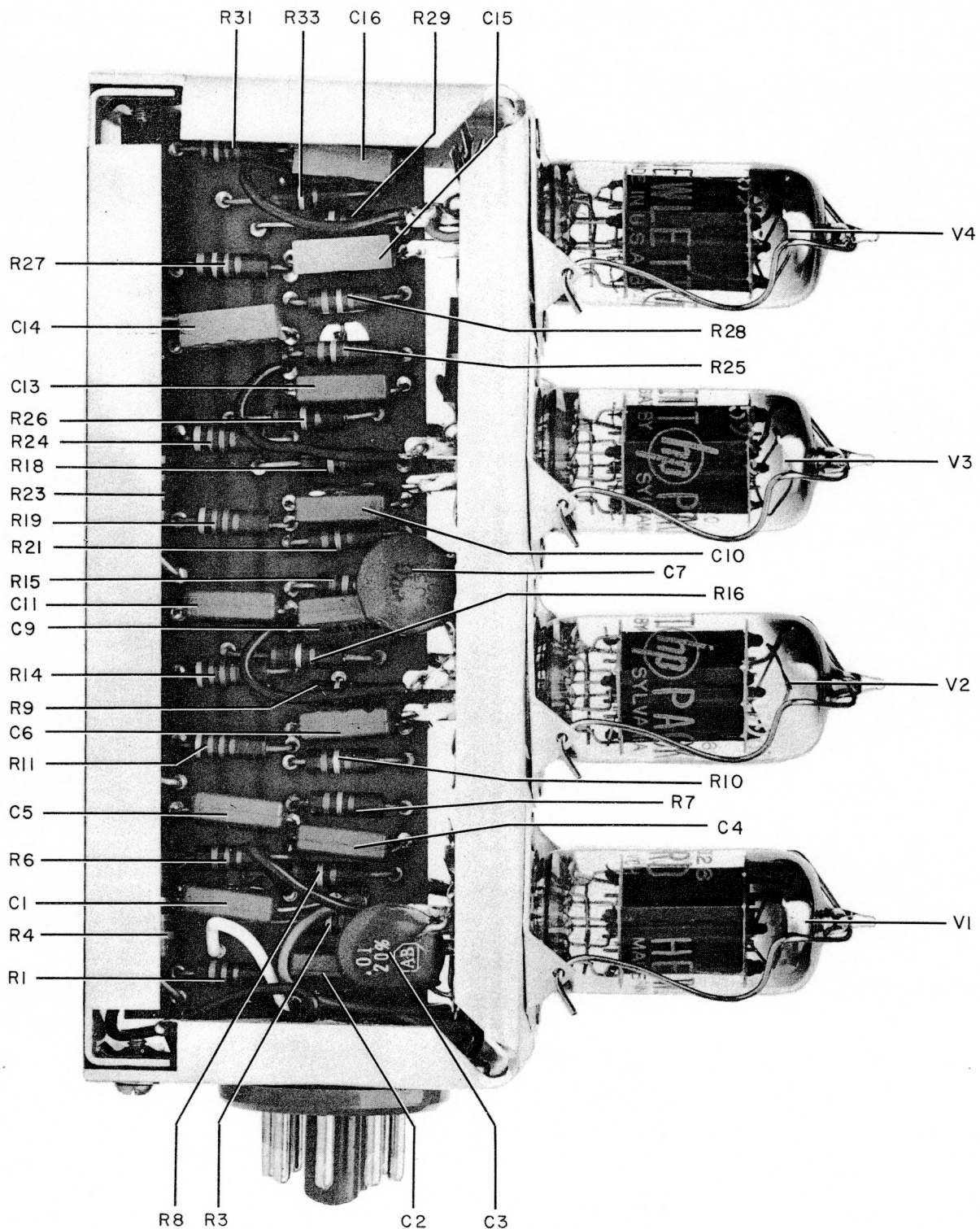




MP-S-667

Figure 4-7. Model 522B Decade Divider





MP-S-667

Figure 4-7. Model 522B Decade Divider

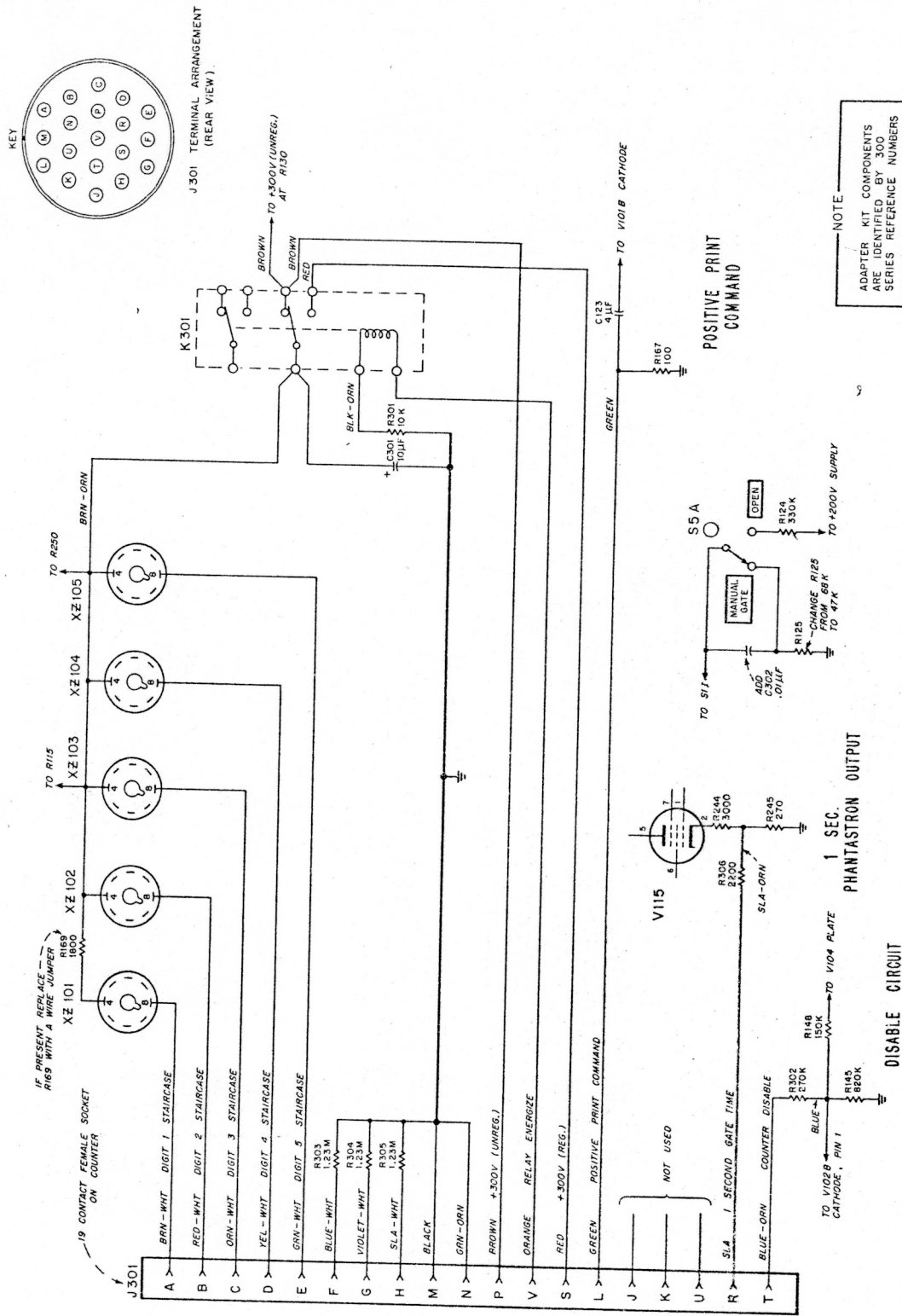
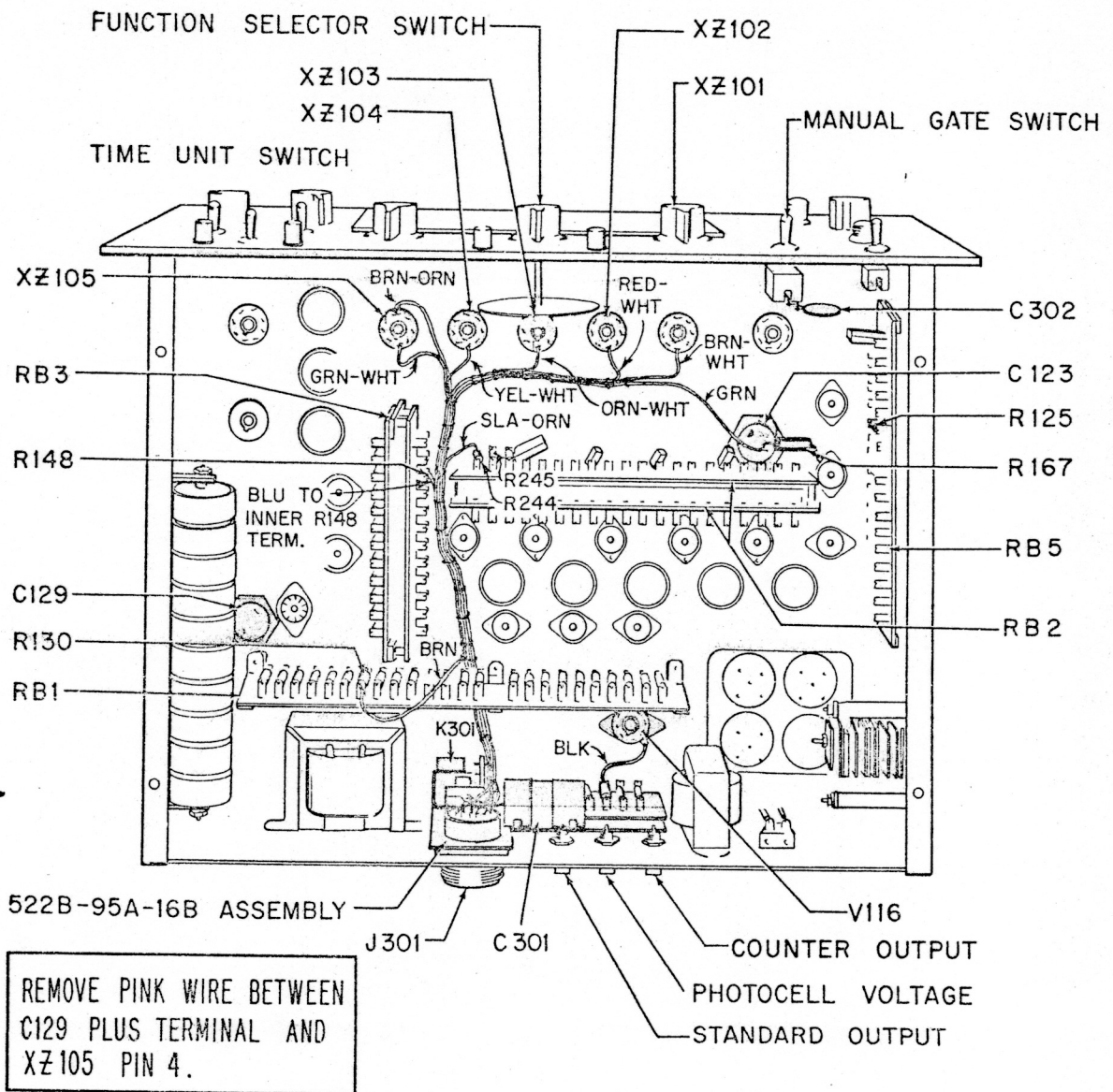


Figure 4-15A contains information on the 522B-95A modification kit which adapts this counter for use with the HP Model 560A Digital Recorder. Use this schematic with Gating Section Drawing, Fig. 4-17. This information should be ignored if this modification has not been made.

COPYRIGHT 1957 BY HEWLETT-PACKARD COMPANY  
This drawing is intended for the assembly and maintenance of Hewlett-Packard equipment and is not to be used otherwise or reproduced without written consent of the Hewlett-Packard Company.

Figure 4-15A-1 522B WIRING CHANGES FOR DIGITAL RECORDER ADAPTER SOCKET



MODIFICATION KIT 522B-95A CABLE ROUTING AND CONNECTIONS



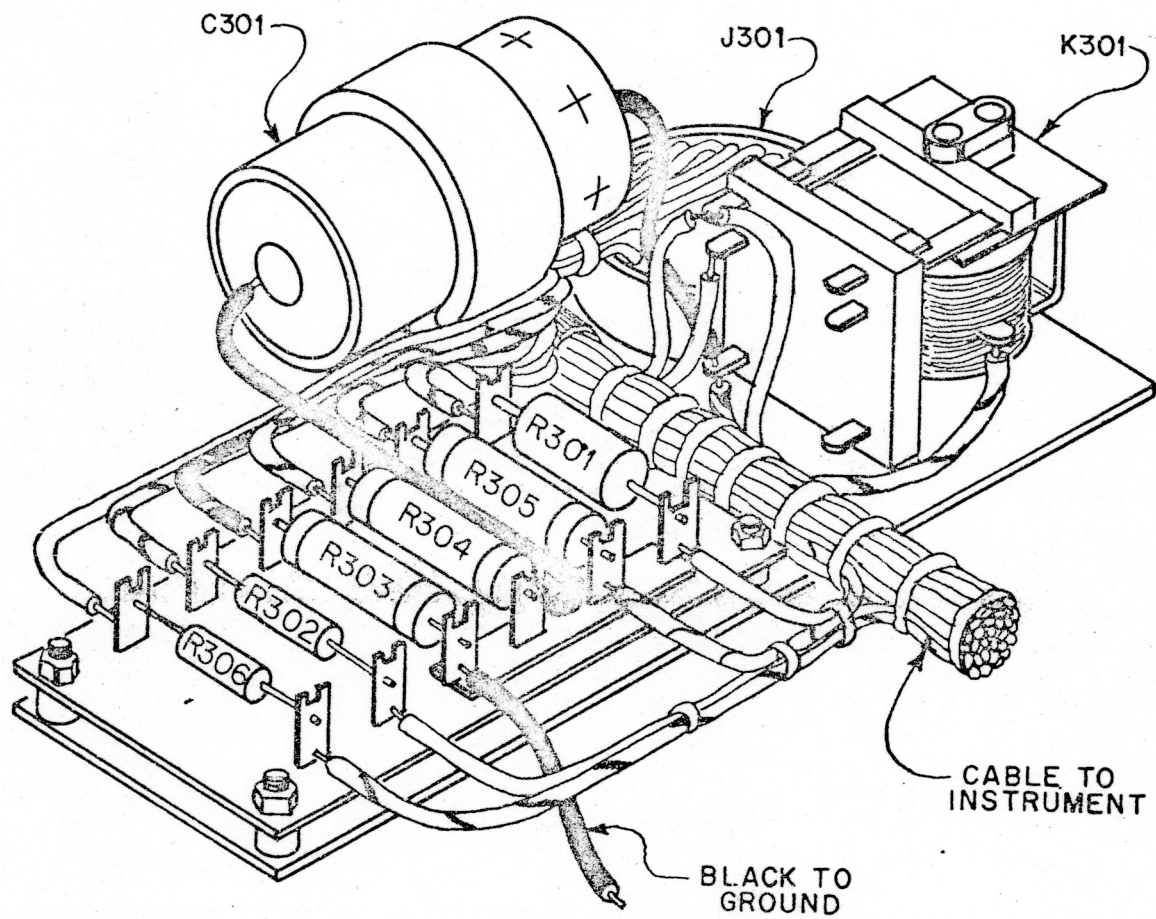


Figure 4-15A -3

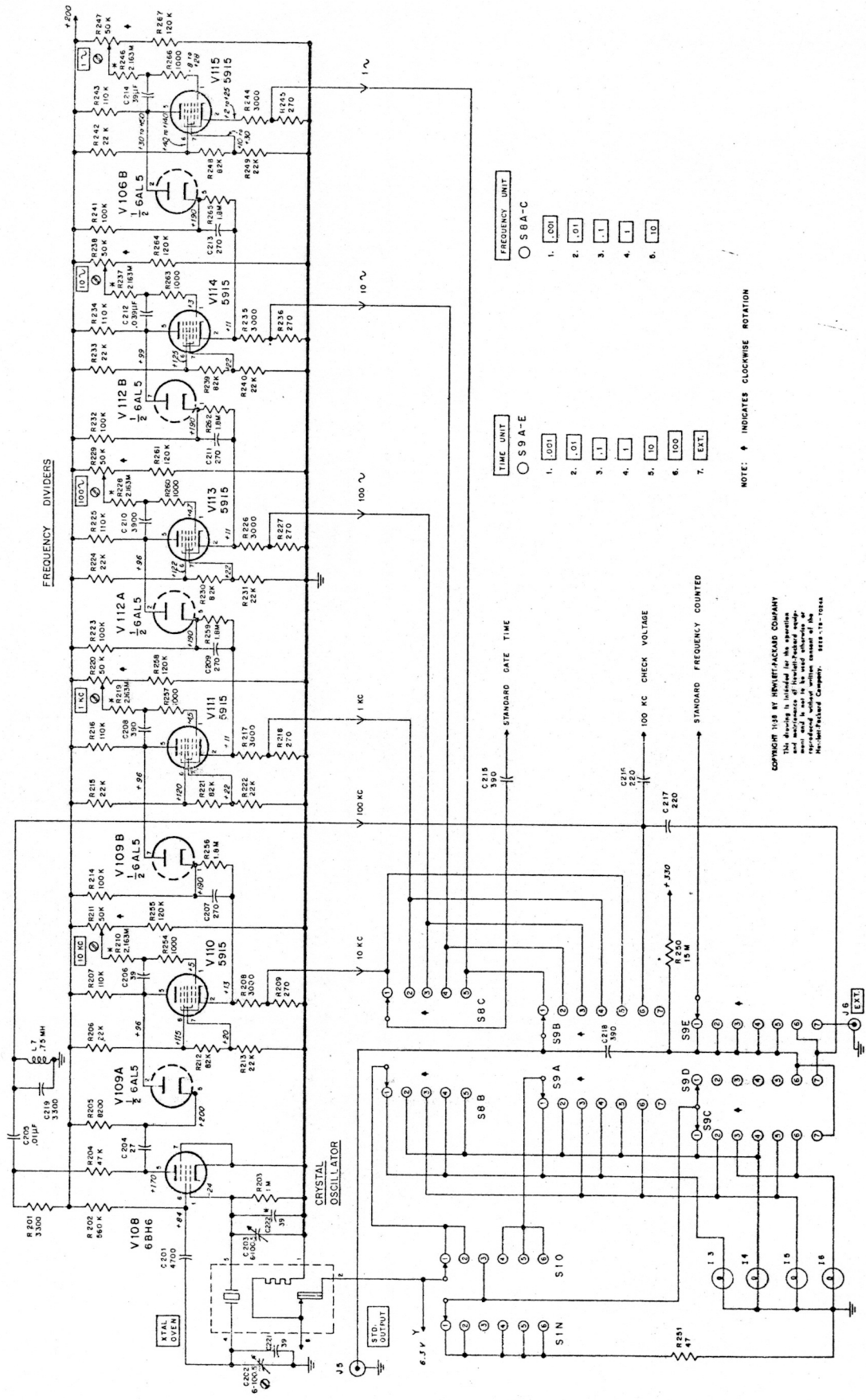
TABLE OF REPLACEABLE PARTS  
FOR 522B-95A DIGITAL RECORDER ADAPTER KIT

CIRCUIT REF.	DESCRIPTION, MFR. * & MFR. DESIGNATION	STOCK NO.	TQ	RS		
C 301	Capacitor: fixed, tubular, elect., 10 $\mu$ f, 450 vdcw	X 0180-0005	1			
C302	Capacitor: fixed, ceramic disc 0.01 $\mu$ f, $\pm 20\%$ , 500 vdcw	K 0150-0012	1			
J301	Socket, female, 19 contacts, polarized shell, 3102A-22-14S	HH 1251-0056	1			
K301	Relay, 110 volts dc, dpdt contacts	CT 0490-0017	1			
R125	Resistor: fixed, composition, 47,000 ohms, $\pm 10\%$ , 1 watt	B 0690-4731	1			
R301	Resistor: fixed, composition, 10,000 ohms, $\pm 10\%$ , 2 watts	B 0693-1031	1			
R302	Resistor: fixed, composition, 270,000 ohms, $\pm 10\%$ , 1/2 watt	B 0687-2741	1			
R303	Resistor: fixed, precision, 1.23 megohms, $\pm 1\%$ , 1 watt	NN 0730-0108	1			
R304	Resistor: fixed, precision, 1.23 megohms, $\pm 1\%$ , 1 watt	NN 0730-0108	1			
R305	Resistor: fixed, precision, 1.23 megohms, $\pm 1\%$ , 1 watt	NN 0730-0108	1			
R306	Resistor: fixed, composition, 2200 ohms, $\pm 10\%$ , 1/2 watt	B 0687-2221	1			

\* See "List of Manufacturers Code Letters For Replaceable Parts Table".

TQ - Total quantity used in the instrument.

RS - Recommended spares for one year isolated service for one instrument.

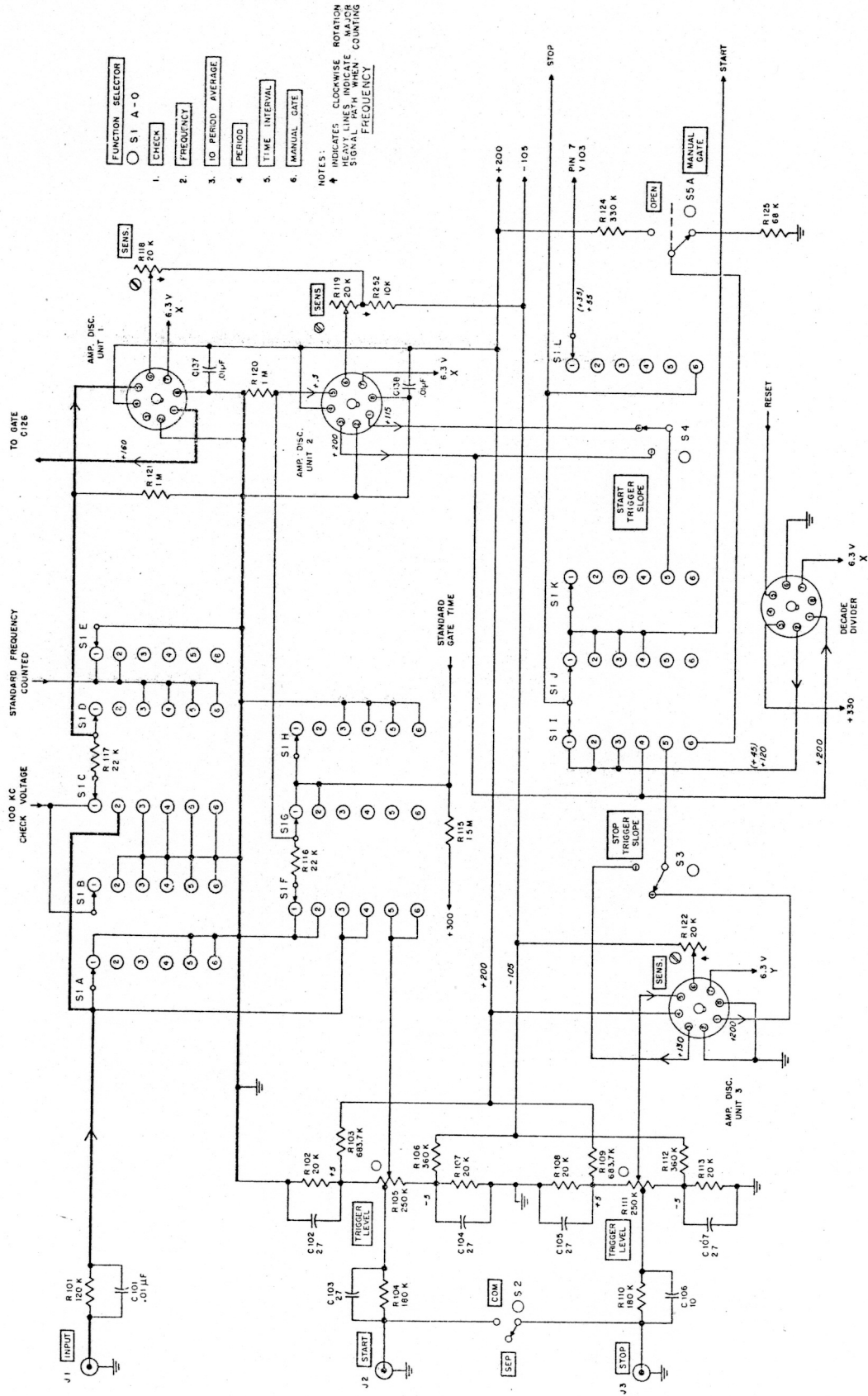


Copyright 1958 by INVENTY-FACARD COMPANY  
 No part of this publication may be reproduced, stored in a retrieval system, or transmitted in any form or by any means, electronic, mechanical, photocopying, recording, or by any information storage and retrieval system, without the prior written permission of Inventy-Facard Company, Inc., 1111 17th Street, New York, New York 10036.

NOTE: † INDICATES CLOCKWISE ROTATION

FIGURE 4-15 TIME BASE SECTION

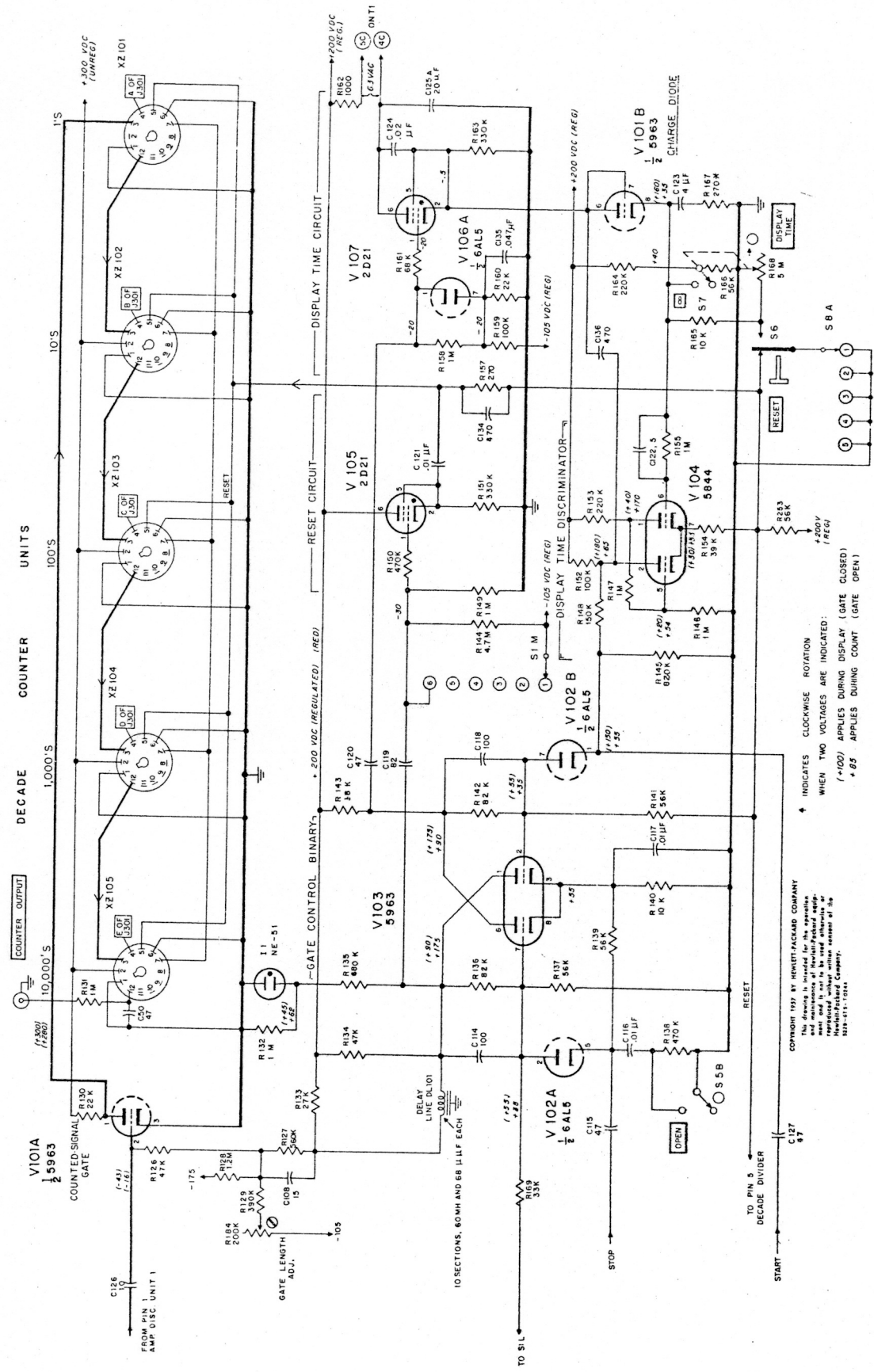




- FUNCTION SELECTOR  
 ○ S1 A - O
- CHECK
  - FREQUENCY
  - ID PERIOD AVERAGE
  - PERIOD
  - TIME INTERVAL
  - MANUAL GATE

NOTES:  
 ↑ INDICATES CLOCKWISE ROTATION  
 HEAVY LINES INDICATE MAJOR  
 SIGNAL PATH WHEN COUNTING  
 FREQUENCY

FIGURE 4-16 SWITCHING SECTION



↑ INDICATES CLOCKWISE ROTATION  
 WHEN TWO VOLTAGES ARE INDICATED:  
 (+100) APPLIES DURING DISPLAY (GATE CLOSED)  
 + 65 APPLIES DURING COUNT (GATE OPEN)

COPYRIGHT 1957 BY HENRY-JACKARD COMPANY  
 No drawing is intended for the apparatus  
 described herein. It is to be used only as a  
 guide in the construction of the  
 apparatus described in the  
 Manual of the  
 Model 101-1024.

FIGURE 4-17 GATING SECTION

- NOTES:**
- CONDITIONS OF DC VOLTAGE MEASUREMENT
  - LINE VOLTAGE 115-230 V, 50/60  $\phi$
  - DISPLAY TIME - MINIMUM
  - MANUAL GATE CLOSED
  - STD. GATE TIME - 1 SEC
  - FUNCTION SELECTOR CHECK
  - TIME UNIT - EXT
  - TRIGGER LEVEL VOLTS - 0
  - TRIGGER SLOPE
  - TRIGGER INPUT - SEP
  - VOLTAGES MEASURED BETWEEN POINTS AND CHASSIS UNLESS OTHERWISE NOTED.
  - IMP MODEL C10 B D
- CONDITIONS OF AC VOLTAGE MEASUREMENT**
- 115-230 V
  - DC CONDITIONS
  - VOLTAGES MEASURED BETWEEN POINTS UNLESS OTHERWISE NOTED. WITH A 1000 OHMS/VOLT 0.1 BETTER AC METER. ALL VOLTAGES RMS.
- ALL CAPACITANCE IN  $\mu$ UF UNLESS OTHERWISE NOTED.
- ALL RESISTANCE VALUES IN OHMS
- K = 1000 OHMS  
M = 1 MEGOHM
- \* = ADJUSTED AT FACTORY FOR OPTIMUM PERFORMANCE.  
# = AVERAGE VALUE SHOWN. PART MAY BE OMITTED.
- ⊖ = CHASSIS  
⊕ = PANEL CONTROL  
⊙ = SUBMETER ADJUSTMENT
- ♦ INDICATES CLOCKWISE ROTATION.
- WHEN TWO VOLTAGES ARE INDICATED:  
(+/-) APPLIES DURING DISPLAY (GATE CLOSED)  
#/05 APPLIES DURING COUNT (GATE OPEN)

COPYRIGHT 1928 BY HEWLETT-PACKARD COMPANY  
This drawing is intended for the operation of the equipment of Hewlett-Packard equipment and is not to be reproduced without written consent of the Hewlett-Packard Company. 1928-11-1024

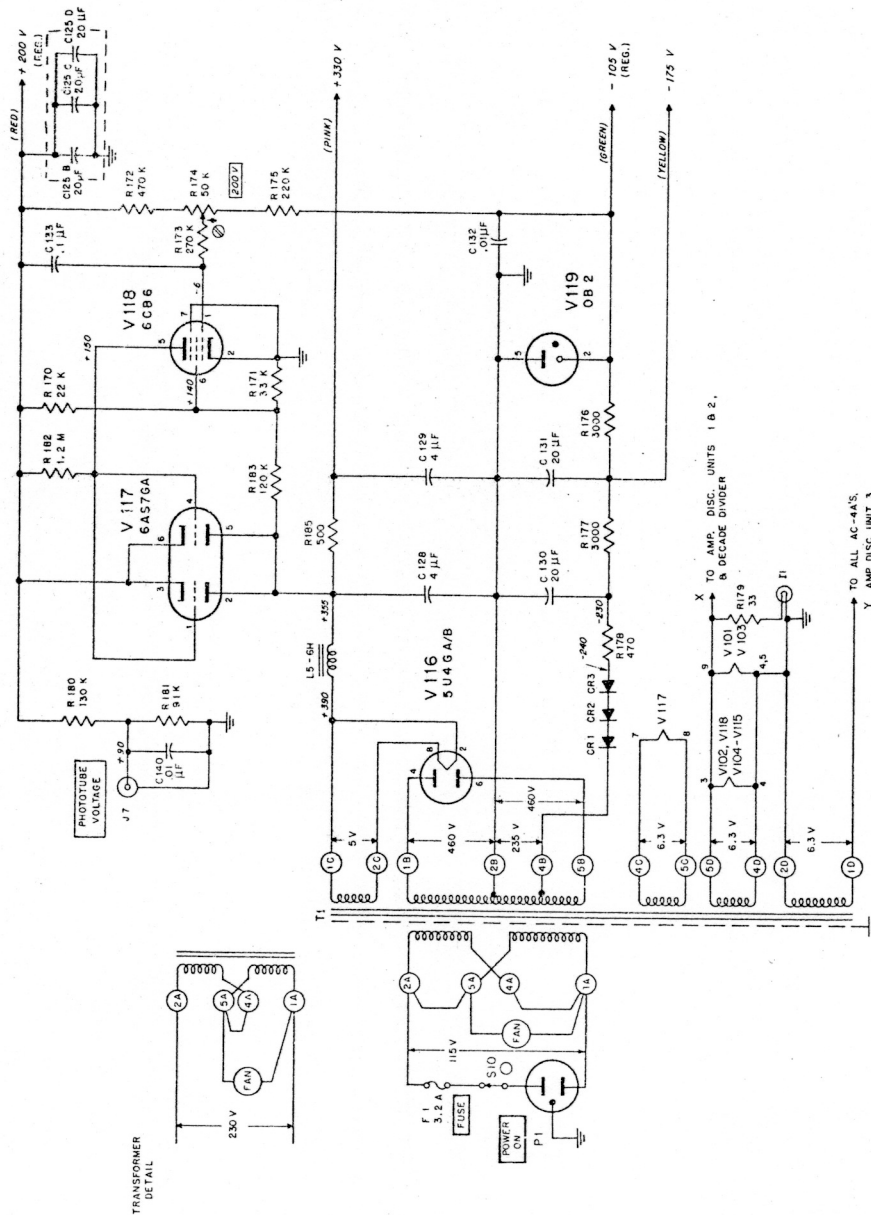
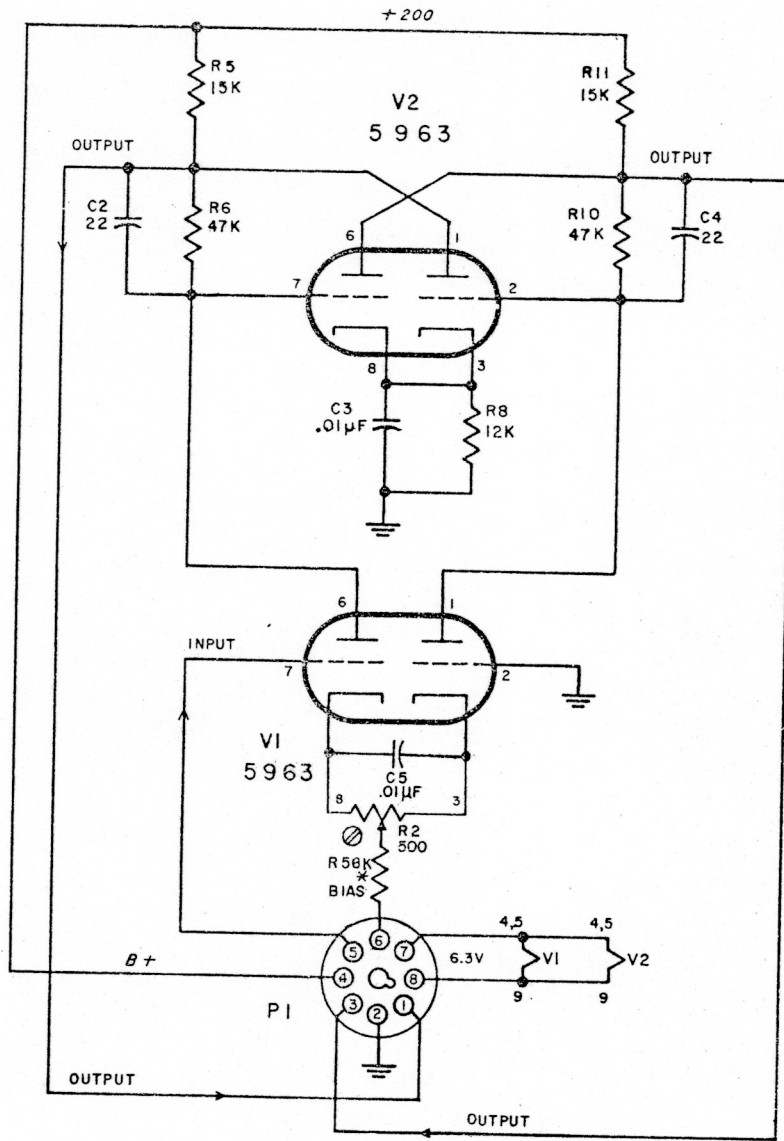


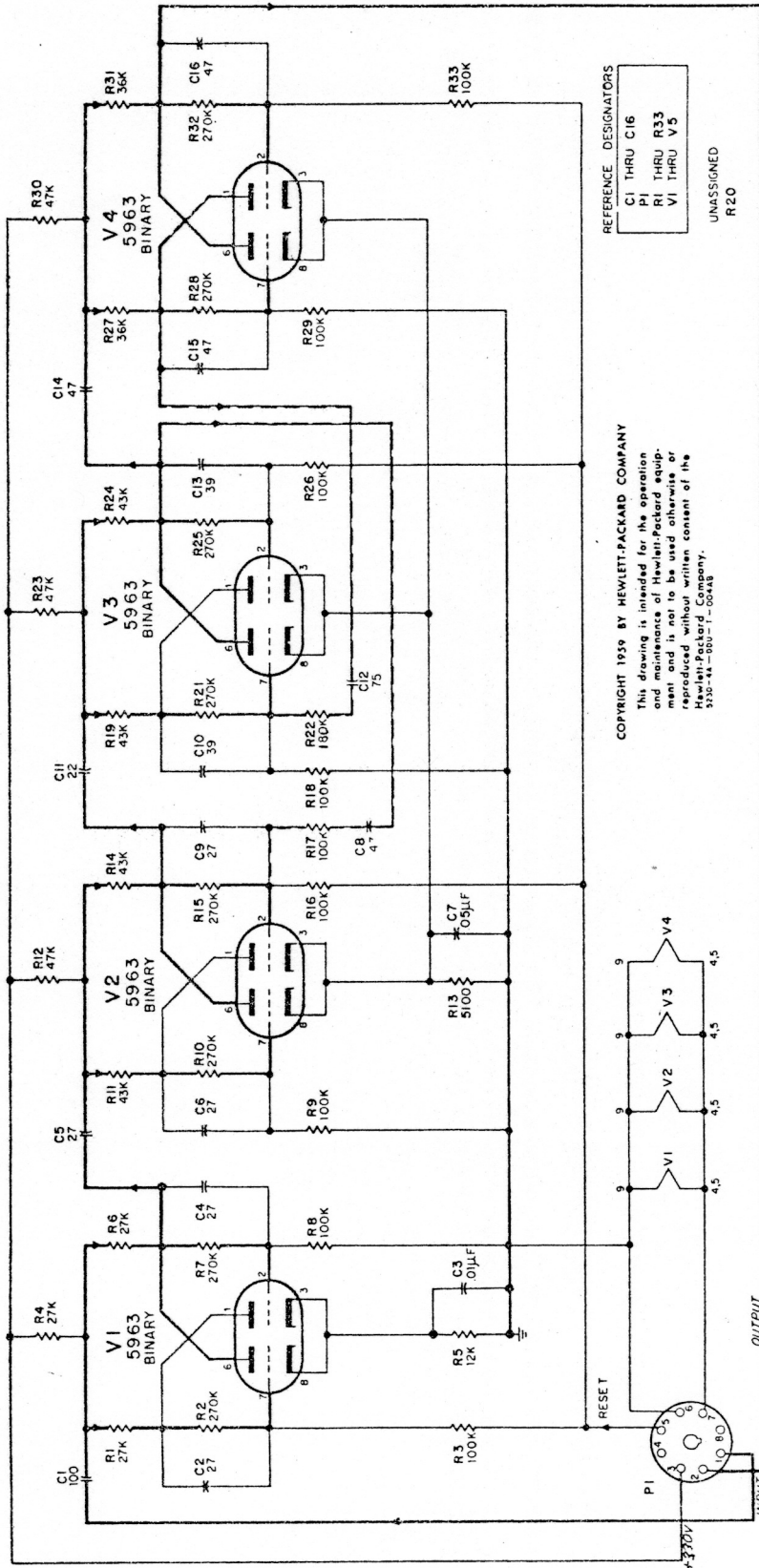
FIGURE 4-18 POWER SUPPLY SECTION





COPYRIGHT 1954 BY HEWLETT-PACKARD COMPANY  
 This drawing is intended for the operation and maintenance of Hewlett-Packard equipment and is not to be used otherwise or reproduced without written consent of the Hewlett-Packard Company.  
 522B-2533A  
 521AC-AD-1682A

FIGURE 4-19 AMPLITUDE DISCRIMINATOR UNIT



REFERENCE DESIGNATORS  
 C1 THRU C16  
 P1 THRU P3  
 R1 THRU R33  
 V1 THRU V5  
 UNASSIGNED  
 R20

COPYRIGHT 1959 BY HEWLETT-PACKARD COMPANY  
 This drawing is intended for the operation and maintenance of Hewlett-Packard equipment and is not to be used otherwise or reproduced without written consent of the Hewlett-Packard Company.  
 9330-44-800-1-00048

FIGURE 4-20 DECADE DIVIDER UNIT

TABLE OF REPLACEABLE PARTS

CIRCUIT REF.	DESCRIPTION, MFR. * & MFR. DESIGNATION	Ⓢ STOCK NO.	TQ	RS		
C1 thru C100	These circuit references not assigned					
C101	Capacitor: fixed, ceramic, .01 $\mu$ f, $\pm$ 20%, 1000 vdcw	CC* 0150-0012	9	2		
C102 thru C105	Capacitor: fixed, mica, 27 pf, $\pm$ 10%, 500 vdcw	Z* 0140-0005	5	2		
C106	Capacitor: fixed, mica, 10 pf, $\pm$ 10%, 500 vdcw	V* 0140-0002	2	1		
C107	Same as C102					
C108	Capacitor: fixed, mica, 15 pf, $\pm$ 10%, 500 vdcw	V* 0140-0004	1	1		
C109 thru C113	These circuit references not assigned					
C114	Capacitor: fixed, mica, 100 pf, $\pm$ 10%, 500 vdcw	Z* 0140-0054	2	1		
C115	Capacitor: fixed, mica, 47 pf, $\pm$ 10%, 500 vdcw	V* 0140-0032	3	1		
C116, 117	Same as C101					
C118	Same as C114					
C119	Capacitor: fixed, mica, 82 pf, $\pm$ 10%, 500 vdcw	V* 0140-0006	1	1		
C120	Same as C115					
C121	Same as C101					
C122	Capacitor: fixed, ceramic, 5 pf, $\pm$ 10%, 500 vdcw	K* 0150-0008	1	1		
C123	Capacitor: fixed, oil filled paper, 4 $\mu$ f, 600 vdcw	Z* 0160-0077	3	1		
C124	Capacitor: fixed, ceramic disc, .02 $\mu$ f, $\pm$ 10%, 600 vdcw Radio Material Corp.	0150-0024	1	1		
C125	Capacitor: fixed, electrolytic, 4 sections, 20 $\mu$ f/sect., 450 vdcw	CC* 0180-0025	1	1		
C126	Same as C106					
C127	Same as C115					

\* See "List of Manufacturers Code Letters For Replaceable Parts Table".

TQ - Total quantity used in the instrument.

RS - Recommended spares for one year isolated service for one instrument.



TABLE OF REPLACEABLE PARTS

CIRCUIT REF.	DESCRIPTION, MFR. * & MFR. DESIGNATION	STOCK NO.	TQ	RS		
C128, 129	Same as C123					
C130, 131	Capacitor: fixed, electrolytic, 20 $\mu$ f, 450 vdcw	CC* 0180-0011	2	1		
C132	Same as C101					
C133	Capacitor: fixed, oil filled paper, 0.1 $\mu$ f, $\pm$ 5%, 600 vdcw	CC* 0160-0022	1	1		
C134	Capacitor: fixed, mica 470 pf, $\pm$ 10%, 500 vdcw	V* 0140-0027	2	1		
C135	Capacitor: fixed, paper, .047 $\mu$ f, $\pm$ 10%, 600 vdcw	CC* 0160-0005	1	1		
C136	Same as C134					
C137, C138, C140	Same as C101					
C139, C141 thru C149	These circuit references not assigned					
C150	Capacitor: fixed, mica, 47 pf $\pm$ 5%, 500 vdcw	V* 0140-0039	1	1		
C151 thru C200	These circuit references not assigned					
C201	Capacitor: fixed, mica 4700 pf, $\pm$ 10%, 500 vdcw	Z* 0140-0017	1	1		
C202, 203	Capacitor: variable, air 6 - 100.5 pf All Star Products	0121-0013	2	1		
C204	Capacitor: fixed, mica 27 pf, $\pm$ 5%, 300 vdcw	Z* 0140-0042	1	1		
C205	Same as C101					
C206	Capacitor: fixed, silver mica, 39 pf, $\pm$ 2%, 500 vdcw	V* 0140-0116	1	1		
C207	Capacitor: fixed, mica, 270 pf, $\pm$ 10%, 500 vdcw	Z* 0140-0015	4	1		
C208	Capacitor: fixed, silver mica, 390 pf, $\pm$ 2%, 500 vdcw	V* 0140-0114	1	1		

\* See "List of Manufacturers Code Letters For Replaceable Parts Table".

TQ - Total quantity used in the instrument.

RS - Recommended spares for one year isolated service for one instrument.

TABLE OF REPLACEABLE PARTS

CIRCUIT REF.	DESCRIPTION, MFR. * & MFR. DESIGNATION	Ⓟ STOCK NO.	TQ	RS		
C209	Same as C207					
C210	Capacitor: fixed, silver mica, 3900 pf, $\pm 2\%$ , 500 vdcw	V* 0140-0115	1	1		
C211	Same as C207					
C212	Capacitor: fixed, paper, Hopkins .039 $\mu$ f, $\pm 2\%$ , 400 vdcw Engineering Co.	0170-0032	1	1		
C213	Same as C207					
C214	Capacitor: fixed, paper, Hopkins 0.39 $\mu$ f, $\pm 2\%$ , 400 vdcw Engineering Co.	0170-0031	1	1		
C215	Capacitor: fixed, mica, 390 pf, $\pm 10\%$ , 500 vdcw	V* 0140-0030	2	1		
C216, 217	Capacitor: fixed, mica, 220 pf, $\pm 10\%$ , 500 vdcw	V* 0140-0031	2	1		
C218	Same as C215					
C219	Capacitor: fixed, mica, 3300 pf, $\pm 10\%$ , 500 vdcw	V* 0140-0029	1	1		
C220	This circuit reference not assigned					
C221, 222	Capacitor: fixed, ceramic, 39 pf, $\pm 5\%$ , 500 vdcw C222 - Optimum value selected at factory. Average value shown.	K* 0150-0002	2	1		
CR1, 2, 3	Rectifier, selenium	AA* 1880-0003	3	3		
DL1 thru DL100	These circuit references not assigned					
DL101	Delay Line	HP* 522B-60B	1	1		
F1	Fuse, cartridge: 3.2 amp, 3 AE type, 115 V	T* 2110-0013	1	10		
	Fuse, cartridge: 1.6 amp, 3 AE type, 230 V	E* 2110-0005				
II	Lamp, neon: NE 51 (display time indicator lamp)	BO* 2140-0006	1	1		
I2 thru I6	Lamp, incandescent: 6-8V, .15 amp, #47	N* 2140-0009	5	5		

\* See "List of Manufacturers Code Letters For Replaceable Parts Table".

TQ - Total quantity used in the instrument.

RS - Recommended spares for one year isolated service for one instrument.

TABLE OF REPLACEABLE PARTS

CIRCUIT REF.	DESCRIPTION, MFR. * & MFR. DESIGNATION	Ⓟ STOCK NO.	TQ	RS		
J1 thru J7	Receptacle: connector, BNC	LL* 1250-0001	7	1		
L1 thru L4	These circuit references not assigned					
L5	Reactor: 6H at 125 ma, 240 ohms	HP* 9110-0004	1	1		
L6	This circuit reference not assigned					
L7	Coil, oscillator: .70 mh	HP* 522B-60A	1	1		
P1	Power Cord	Elec. Cords Co. 8120-0015	1	1		
R1 thru R100	These circuit references not assigned					
R101	Resistor: fixed, composition, 120,000 ohms, $\pm 10\%$ , 1/2 W	B* 0687-1241	6	2		
R102	Resistor: fixed, deposited carbon, 20,000 ohms, $\pm 1\%$ , 1/2 W	NN* 0727-0173	4	1		
R103	Resistor: fixed, deposited carbon, 683,700 ohms, $\pm 1\%$ , 1/2 W	NN* 0727-0251	2	1		
R104	Resistor: fixed, composition, 180,000 ohms, $\pm 10\%$ , 1/2 W	B* 0687-1841	2	1		
R105	Resistor: variable, composition, linear taper, 250,000 ohms	HP* 522B-15	2	1		
R106	Resistor: fixed, deposited carbon, 360,000 ohms, $\pm 1\%$ , 1/2 W	NN* 0727-0235	2	1		
R107, 108	Same as R102					
R109	Same as R103					
R110	Same as R104					
R111	Same as R105					
R112	Same as R106					
R113	Same as R102					
R114	This circuit reference not assigned					
R115	Resistor: fixed, composition, 15 megohms, $\pm 10\%$ , 1/2 W	B* 0687-1561	2	1		
R116, 117	Resistor: fixed, composition, 22,000 ohms, $\pm 10\%$ , 1/2 W	B* 0687-2231	2	1		

\* See "List of Manufacturers Code Letters For Replaceable Parts Table".

TQ - Total quantity used in the instrument.

RS - Recommended spares for one year isolated service for one instrument.



TABLE OF REPLACEABLE PARTS

CIRCUIT REF.	DESCRIPTION, MFR. * & MFR. DESIGNATION	Ⓢ STOCK NO.	TQ	RS		
R118, 119	Resistor: variable, composition, linear taper, 20,000 ohms B*	2100-0060	3	1		
R120, 121	Resistor: fixed, composition, 1 megohm, ±10%, 1/2 W B*	0687-1051	7	2		
R122	Same as R118					
R123	This circuit reference not assigned					
R124	Resistor: fixed, composition, 330,000 ohms, ±10%, 1 W B*	0690-3341	3	1		
R125	Resistor: fixed, composition, 68,000 ohms, ±10%, 1 W B*	0690-6831	1	1		
R126	Resistor: fixed, composition, 47,000 ohms, ±10%, 1 W B*	0690-4731	3	1		
R127	Resistor: fixed, composition, 560,000 ohms, ±10%, 1 W B*	0690-5641	1	1		
R128	Resistor: fixed, composition, 1.2 megohms, ±10%, 1 W B*	0690-1251	2	1		
R129	Resistor: fixed, composition, 390,000 ohms, ±10%, 1 W B*	0690-3941	1	1		
R130	Resistor: fixed, composition, 22,000 ohms, ±10%, 2 W B*	0693-2231	6	2		
R131	Resistor: fixed, composition, 1 megohm, ±10%, 1 W B*	0690-1051	3	1		
R132	Same as R120					
R133	Resistor: fixed, composition, 27,000 ohms, ±10%, 1 W B*	0690-2731	1	1		
R134	Same as R126					
R135	Resistor: fixed, composition, 680,000 ohms, ±10%, 1 W B*	0690-6841	1	1		
R136	Resistor: fixed, composition, 82,000 ohms, ±10%, 1 W B*	0690-8231	2	1		

\* See "List of Manufacturers Code Letters For Replaceable Parts Table".

TQ - Total quantity used in the instrument.

RS - Recommended spares for one year isolated service for one instrument.

TABLE OF REPLACEABLE PARTS

CIRCUIT REF.	DESCRIPTION, MFR. * & MFR. DESIGNATION	Ⓢ STOCK NO.	TQ	RS		
R137	Resistor: fixed, composition, 56,000 ohms, $\pm 10\%$ , 1 W B*	0690-5631	4	1		
R138	Resistor: fixed, composition, 470,000 ohms, $\pm 10\%$ , 1/2 W B*	0687-4741	2	1		
R139	Same as R137					
R140	Resistor: fixed, composition, 10,000 ohms, $\pm 10\%$ , 1 W B*	0690-1031	2	1		
R141	Same as R137					
R142	Same as R136					
R143	Resistor: fixed, composition, 18,000 ohms, $\pm 10\%$ , 1 W B*	0690-1831	1	1		
R144	Resistor: fixed, composition, 4.7 megohms, $\pm 10\%$ , 1 W B*	0690-4751	1	1		
R145	Resistor: fixed, composition, 820,000 ohms, $\pm 10\%$ , 1 W B*	0690-8241	1	1		
R146, 147	Same as R120					
R148	Resistor: fixed, composition, 150,000 ohms, $\pm 10\%$ , 1 W B*	0690-1541	1	1		
R149	Same as R131					
R150	Same as R138					
R151	Same as R124					
R152	Resistor: fixed, composition, 100,000 ohms, $\pm 10\%$ , 1 W B*	0690-1041	6	2		
R153	Resistor: fixed, composition, 220,000 ohms, $\pm 10\%$ , 1 W B*	0690-2241	3	1		
R154	Resistor: fixed, composition, 39,000 ohms, $\pm 10\%$ , 1 W B*	0690-3931	1	1		
R155	Same as R120					
R156	This circuit reference not assigned					

\* See "List of Manufacturers Code Letters For Replaceable Parts Table".

TQ - Total quantity used in the instrument.

RS - Recommended spares for one year isolated service for one instrument.

TABLE OF REPLACEABLE PARTS

CIRCUIT REF.	DESCRIPTION, MFR. * & MFR. DESIGNATION	Ⓢ STOCK NO.	TQ	RS		
R157	Resistor: fixed, composition, 270 ohms, $\pm 10\%$ , 1 W B*	0690-2711	7	2		
R158	Same as R131					
R159	Same as R152					
R160	Resistor: fixed, composition, 22,000 ohms, $\pm 10\%$ , 1 W B*	0690-2231	2	1		
R161	Resistor: fixed, composition, 68,000 ohms $\pm 10\%$ , 1/2 W B*	0687-6831	1	1		
R162	Resistor: fixed, composition, 1000 ohms, $\pm 10\%$ , 1 W B*	0690-1021	1	1		
R163	Same as R124					
R164	Same as R153					
R165	Same as R140					
R166	Same as R137					
R167	Same as R157 Optimum value selected at factory. Average value shown.					
R168	Resistor: variable, composition, linear taper, 5 megohms, $\pm 20\%$ , includes S7 BO*	2100-0066	1	1		
R169	Resistor: fixed, composition, 33,000 ohms, $\pm 10\%$ , 1 W B*	0690-3331	2	1		
R170	Same as R160					
R171	Same as R169					
R172	Resistor: fixed, composition, 470,000 ohms, $\pm 10\%$ , 1 W B*	0690-4741	1	1		
R173	Resistor: fixed, composition, 270,000 ohms, $\pm 10\%$ , 1 W B*	0690-2741	1	1		
R174	Resistor: variable, composition, linear taper, 50,000 ohms, $\pm 20\%$ BO*	2100-0157	1	1		
R175	Same as R153					

\* See "List of Manufacturers Code Letters For Replaceable Parts Table".

TQ - Total quantity used in the instrument.

RS - Recommended spares for one year isolated service for one instrument.



TABLE OF REPLACEABLE PARTS

CIRCUIT REF.	DESCRIPTION, MFR. * & MFR. DESIGNATION	Ⓢ STOCK NO.	TQ	RS		
R176, 177	Resistor: fixed, wirewound, 3000 ohms, $\pm 10\%$ , 10 W S*	0816-0002	2	1		
R178	Resistor: fixed, composition, 470 ohms, $\pm 10\%$ , 2 W B*	0693-4711	1	1		
R179	Resistor: fixed, composition, 33 ohms, $\pm 10\%$ , 1 W B*	0690-3301	1	1		
R180	Resistor: fixed, composition, 130,000 ohms, $\pm 5\%$ , 1/2 W B*	0686-1345	1	1		
R181	Resistor: fixed, composition, 91,000 ohms, $\pm 5\%$ , 1/2 W B*	0686-9135	1	1		
R182	Same as R128					
R183	Resistor: fixed, composition, 120,000 ohms, $\pm 10\%$ , 1 W B*	0690-1241	1	1		
R184	Resistor: variable, composition, 200,000 ohms, $\pm 20\%$ , 1/4 W I*	2100-0014	1	1		
R185	Resistor: fixed, wirewound, 500 ohms, $\pm 10\%$ , 20 W S*	0819-0005	1	1		
R186 thru R200	These circuit references not assigned					
R201	Resistor: fixed, composition, 3300 ohms, $\pm 10\%$ , 1 W B*	0690-3321	1	1		
R202	Resistor: fixed, composition, 560,000 ohms, $\pm 5\%$ , 1/2 W B*	0686-5645	1	1		
R203	Same as R120					
R204	Same as R126					
R205	Resistor: fixed, composition, 8200 ohms, $\pm 10\%$ , 1/2 W B*	0687-8221	1	1		
R206	Same as R130					
R207	Resistor: fixed, composition, 110,000 ohms, $\pm 5\%$ , 1 W B*	0689-1145	5	2		
R208	Resistor: fixed, composition, 3000 ohms, $\pm 5\%$ , 1 W B*	0689-3025	5	2		

\* See "List of Manufacturers Code Letters For Replaceable Parts Table".

TQ - Total quantity used in the instrument.

RS - Recommended spares for one year isolated service for one instrument.

TABLE OF REPLACEABLE PARTS

CIRCUIT REF.	DESCRIPTION, MFR. * & MFR. DESIGNATION	STOCK NO.	TQ	RS		
R209	Same as R157					
R210	Resistor: fixed, deposited carbon, 2.163 megohms, $\pm 1\%$ , 1 W NN*	0730-0113	5	2		
R211	Resistor: variable, composition, 50,000 ohms, $\pm 10\%$ B*	2100-0028	5	2		
R212	Resistor: fixed, composition, 82,000 ohms, $\pm 5\%$ , 1 W B*	0689-8235	5	2		
R213	Resistor: fixed, composition, 22,000 ohms, $\pm 5\%$ , 1 W B*	0689-2235	5	2		
R214	Same as R152					
R215	Same as R130					
R216	Same as R207					
R217	Same as R208					
R218	Same as R157					
R219	Same as R210					
R220	Same as R211					
R221	Same as R212					
R222	Same as R213					
R223	Same as R152					
R224	Same as R130					
R225	Same as R207					
R226	Same as R208					
R227	Same as R157					
R228	Same as R210					
R229	Same as R211					
R230	Same as R212					
R231	Same as R213					

\* See "List of Manufacturers Code Letters For Replaceable Parts Table".

TQ - Total quantity used in the instrument.

RS - Recommended spares for one year isolated service for one instrument.

TABLE OF REPLACEABLE PARTS

CIRCUIT REF.	DESCRIPTION, MFR. * & MFR. DESIGNATION	① STOCK NO.	TQ	RS		
R232	Same as R152					
R233	Same as R130					
R234	Same as R207					
R235	Same as R208					
R236	Same as R157					
R237	Same as R210					
R238	Same as R211					
R239	Same as R212					
R240	Same as R213					
R241	Same as R152					
R242	Same as R130					
R243	Same as R207					
R244	Same as R208					
R245	Same as R157					
R246	Same as R210					
R247	Same as R211					
R248	Same as R212					
R249	Same as R213					
R250	Same as R115					
R251	Resistor: fixed, composition 47 ohms, $\pm 10\%$ , 1 W	B* 0690-4701	1	1		
R252	Resistor: fixed, composition, 10,000 ohms, $\pm 10\%$ , 1/2 W	B* 0687-1031	1	1		
R253	Resistor: fixed, composition, 56,000 ohms $\pm 10\%$ , 2 W	B* 0693-5631	1	1		
R254	Resistor: fixed, composition, 1000 ohms, $\pm 10\%$ , 1/2 W	B* 0687-1021	5	2		

\* See "List of Manufacturers Code Letters For Replaceable Parts Table".

TQ - Total quantity used in the instrument.

RS - Recommended spares for one year isolated service for one instrument.



TABLE OF REPLACEABLE PARTS

CIRCUIT REF.	DESCRIPTION, MFR. * & MFR. DESIGNATION	STOCK NO.	TQ	RS		
R255	Same as R101					
R256	Resistor: fixed, composition, 1.8 megohms, $\pm 10\%$ , 1/2 W	B* 0687-1851	4	1		
R257	Same as R254					
R258	Same as R101					
R259	Same as R256					
R260	Same as R254					
R261	Same as R101					
R262	Same as R256					
R263	Same as R254					
R264	Same as R101					
R265	Same as R256					
R266	Same as R254					
R267	Same as R101					
S1	Function Switch Assembly	HP* 522B-95D	1	1		
S2	Switch, toggle: SPST	D* 3101-0001	2	1		
S3, 4	Switch, toggle: SPDT	D* 3101-0002	2	1		
S5	Switch, toggle: DPDT	D* 3101-0005	1	1		
S6	Switch, pushbutton: SPDT	KK* 3101-0004	1	1		
S7	part of R168					
S8	Switch, rotary: frequency unit	W* 3100-0078	1	1		
S9	Switch, rotary: time unit	W* 3100-0077	1	1		
S10	Same as S2					
T1	Transformer, power	HP* 9100-0035	1	1		
V1 thru V100	These circuit references not assigned					
V101	Tube, electron: 5963	ZZ* 1932-0008	2	2		

\* See "List of Manufacturers Code Letters For Replaceable Parts Table".  
TQ - Total quantity used in the instrument.  
RS - Recommended spares for one year isolated service for one instrument.

TABLE OF REPLACEABLE PARTS

CIRCUIT REF.	DESCRIPTION, MFR. * & MFR. DESIGNATION	Ⓢ STOCK NO.	TQ	RS		
V102	Tube, electron: 6AL5	ZZ* 1930-0013	4	4		
V103	Same as V101					
V104	Tube, electron: 5844	ZZ* 1932-0007	1	1		
V105	Tube, electron: 2D21	ZZ* 1941-0005	2	2		
V106	Same as V102					
V107	Same as V105					
V108	Tube, electron: 6BH6	ZZ* 1923-0027	1	1		
V109	Same as V102					
V110, 111	Tube, electron: 5915	ZZ* 1924-0001	5	5		
V112	Same as V102					
V113, 114, 115	Same as V110					
V116	Tube, electron: 5U4GA/B	ZZ* 1930-0008	1	1		
V117	Tube, electron: 6AS7GA	ZZ* 1932-0019	1	1		
V118	Tube, electron: 6CB6	ZZ* 1923-0028	1	1		
V119	Tube, electron: OB2	ZZ* 1940-0007	1	1		
Z1 thru Z100	These circuit references not assigned					
Z101 thru Z105	Model AC-4G Plug-In Decade Counter	HP* AC-4G	5	1		
	MISCELLANEOUS					
	Air filter (rack model)	Research Prod. Co.	3150-0004			
	Crystal oven	Northern Engineering	0140-0020	1	1	
	Crystal: 100 kc	HP* G-69A-B2	1	1		
	Decimal Indicating Rod Assembly	HP* 522B-83A	1	0		
	Escutcheon	HP* 522B-99	1	0		

\* See "List of Manufacturers Code Letters For Replaceable Parts Table".

TQ - Total quantity used in the instrument.

RS - Recommended spares for one year isolated service for one instrument.

TABLE OF REPLACEABLE PARTS

CIRCUIT REF.	DESCRIPTION, MFR. * & MFR. DESIGNATION	STOCK NO.	TQ	RS		
	Fan, motor General Ind. Co.	3140-0010	1	1		
	Fan, blade: cabinet model BD*	3160-0012	1	1		
	rack model BD*	3160-0011				
	Fuseholder T*	1400-0007	1	1		
	Kit: for connecting Model 522B to Model 560A HP*	522B-95A				
	Kit: to connect cabinet model to rack model HP*	522B-95B				
	Knob: TIME INTERVAL (2), DISPLAY TIME HP*	G-74G	3	1		
	Knob: FUNCTION SELECTOR HP*	G-74N	1	1		
	Knob: TIME UNIT FREQUENCY UNIT HP*	G-74P	2	1		
	Lampholder JJ*	1450-0010	4	1		
	Oil, soluble: for permanent air filter HP*	3150-0002	1	1		
	Pilot Light Assembly (I1) II*	1450-0007	1	1		
	Pilot Light Assembly (I2)		1	1		
	Hex Nut II*	0590-0037	1			
	Holder II*	1450-0027	1			
	Jewel II*	1450-0003	1			
	Jewel Bushing II*	1450-0026	1			
	Reactor: 60 mh (for Delay Line) HP*	522B-50B-1	1	0		
	Switch and Cable Assembly: includes time unit, function selector and frequency unit switches complete with interconnecting wiring HP*	522B-19A	1	0		
	Soluble oil: for air filter HP*	314-18				

\* See "List of Manufacturers Code Letters For Replaceable Parts Table".

TQ - Total quantity used in the instrument.

RS - Recommended spares for one year isolated service for one instrument.



TABLE OF REPLACEABLE PARTS

CIRCUIT REF.	DESCRIPTION, MFR. * & MFR. DESIGNATION	Ⓜ STOCK NO.	TQ	RS		
	AMPLITUDE DISCRIMINATOR PLUG-IN UNIT	HP* 522B-58B	3	1		
C1	This circuit reference not assigned					
C2	Capacitor: fixed, mica 22 pf, ±5%, 300 vdcw	V* 0140-0034	6	0		
C3	Capacitor: fixed, ceramic .01 μf, ±20%, 1000 vdcw	CC* 0150-0012	2	0		
C4	Same as C2					
C5	Same as C3					
R1	Resistor: fixed, composition, 56,000 ohms, ±10%, 1 W Optimum value selected at factory. Average value shown.	B* 0690-5631	1	0		
R2	Resistor: variable, composition, linear taper, 500 ohms, ±20%, 1/10 W	G* 2100-0078	3	0		
R3, 4	These circuit references not assigned					
R5	Resistor: fixed, composition, 15,000 ohms, ±10%, 1 W	B* 0690-1531	6	6		
R6	Resistor: fixed, composition, 47,000 ohms, ±10%, 1/2 W	B* 0687-4731	6	6		
R7	This circuit reference not assigned					
R8	Resistor: fixed, composition, 12,000 ohms, ±10%, 1 W	B* 0690-1231	3	0		
R9	This circuit reference not assigned					
R10	Same as R6					
R11	Same as R5					
V1, 2	Tube, electron: 5963	ZZ* 1932-0008	2	0		
	-----					
	DECADE DIVIDER PLUG-IN UNIT	HP* 523D-4A	1	1		
C1	Capacitor: fixed, mica, 100 pf, ±5%, 500 vdcw	V* 0140-0041	1	0		
C2	Capacitor: fixed, mica, 27 pf, ±10%, 300 vdcw	V* 0140-0042	5	0		

\* See "List of Manufacturers Code Letters For Replaceable Parts Table".

TQ - Total quantity used in the instrument.

RS - Recommended spares for one year isolated service for one instrument.

TABLE OF REPLACEABLE PARTS

CIRCUIT REF.	DESCRIPTION, MFR. * & MFR. DESIGNATION	Ⓟ STOCK NO.	TQ	RS		
C3	Capacitor: fixed, ceramic, .01 $\mu$ f, $\pm 20\%$ , 1000 vdcw CC*	0150-0012	1	0		
C4 thru C6	Same as C2					
C7	Capacitor: fixed, ceramic, .05 $\mu$ f, $\pm 20\%$ , 400 vdcw NN*	0150-0052	1	0		
C8	Capacitor: fixed, mica, 47 pf, $\pm 5\%$ , 300 vdcw V*	0140-0039	4	0		
C9	Same as C2					
C10	Capacitor: fixed, mica, 39 pf, $\pm 5\%$ , 300 vdcw V*	0140-0035	2	0		
C11	Capacitor: fixed, mica, 22 pf, $\pm 10\%$ , 300 vdcw V*	0140-0034	1	0		
C12	Capacitor: fixed, mica, 75 pf, $\pm 5\%$ , 500 vdcw V*	0140-0040	1	0		
C13	Same as C10					
C14 thru C16	Same as C8					
R1	Resistor: fixed, composition, 27,000 ohms, $\pm 5\%$ , 1/2 W B*	0686-2735	2	0		
R2	Resistor: fixed, composition, 270,000 ohms, $\pm 5\%$ , 1/2 W B*	0686-2745	8	0		
R3	Resistor: fixed, composition, 100,000 ohms, $\pm 5\%$ , 1/2 W B*	0686-1045	9	0		
R4	Resistor: fixed, composition, 27,000 ohms, $\pm 10\%$ , 1 W B*	0690-2731	1	0		
R5	Resistor: fixed, composition, 12,000 ohms, $\pm 5\%$ , 1/2 W B*	0686-1235	1	0		
R6	Same as R1					
R7	Same as R2					
R8, 9	Same as R3					
R10	Same as R2					

\* See "List of Manufacturers Code Letters For Replaceable Parts Table".

TQ - Total quantity used in the instrument.

RS - Recommended spares for one year isolated service for one instrument.

TABLE OF REPLACEABLE PARTS

CIRCUIT REF.	DESCRIPTION, MFR. * & MFR. DESIGNATION	Ⓢ STOCK NO.	TQ	RS		
R11	Resistor: fixed, composition, 43,000 ohms, $\pm 5\%$ , 1/2 W B*	0686-4335	4	0		
R12	Resistor: fixed, composition, 47,000 ohms, $\pm 10\%$ , 1 W B*	0690-4731	3	0		
R13	Resistor: fixed, composition, 5100 ohms, $\pm 5\%$ , 1 W B*	0689-5125	1	0		
R14	Same as R11					
R15	Same as R2					
R16 thru R18	Same as R3					
R19	Same as R11					
R20	This circuit reference not assigned					
R21	Same as R2					
R22	Resistor: fixed, composition, 180,000 ohms, $\pm 10\%$ , 1/2 W B*	0687-1841	1	0		
R23	Same as R12					
R24	Same as R11					
R25	Same as R2					
R26	Same as R3					
R27	Resistor: fixed, composition, 36,000 ohms, $\pm 5\%$ , 1/2 W B*	0686-3635	2	0		
R28	Same as R2					
R29	Same as R3					
R30	Same as R12					
R31	Same as R27					
R32	Same as R2					
R33	Same as R3					
V1 thru V5	Tube, electron: 5963 ZZ*	1932-0008	5	0		

\* See "List of Manufacturers Code Letters For Replaceable Parts Table".

TQ - Total quantity used in the instrument.

RS - Recommended spares for one year isolated service for one instrument.