

Cummins

Parts Catalog

Model NHC-250

Small Cam

S.O. 26029 Revision "U" Automotive Fuel Pump
S.O. 26033 Revision "L" VS Fuel Pump

For U.S. Army M939 Series
5 Ton 6 x 6 Truck

Cummins Engine Company, Inc.
Columbus, Indiana, U.S.A. 47201
Cable: CUMDIEX COLUMBUS

Registered Office:
Cummins Engine Company, Ltd.
Coombe House, St. George's Square
New Malden, England
Cable: INTCUMLON MALDEN
Registration No. 573951 England

Bulletin No. 3379699-00

Printed in U.S.A. 6-82

©Copyright
Cummins Engine Company, Inc. 1982

Foreword

This Parts Catalog has been prepared to assist in ordering and/or identifying replacement parts for the NHC-250 Engines installed in U.S. Army M939 Series 5 Ton Truck... This catalog is intended to cover the new cylinder block configuration currently in production.

Most M939 Series trucks are built using engines equipped with Cummins Standard Automotive Configuration Plugged AFC Style Fuel Pump.

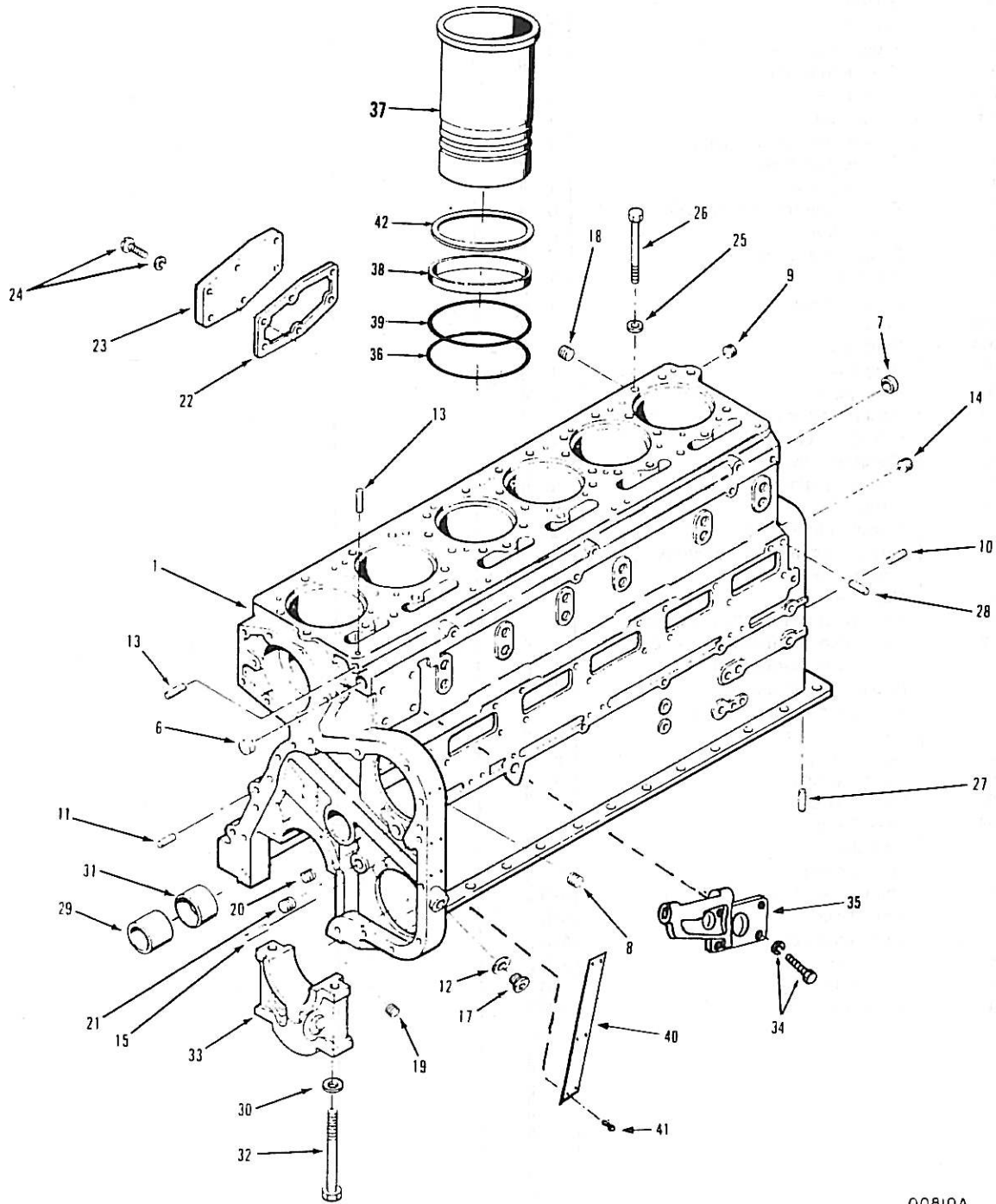
Certain truck body styles, such as the wrecker, shop van and refueler, require the Variable Speed Governor using Cummins Plugged AFC Fuel Pump with VS Governor.

Table of Contents

	Page No.		Page No.
Accessory Drive	20, 21	Pistons	3
Air Compressor	20, 21	Piston Rings	3
Air Intake Connection	18	Push Tubes	8
Air Intake Manifold	18	Rear Cover	4
Belt, Water	14	Ring Gear	23
Breather	7	Rocker Cover	7
Cam Followers	8	Shutdown Valve	32, 33
Camshaft Bushings	1	Thermostat Housing	15
Camshaft	4	Throttle Lever	31
Connecting Rods	3	Vibration Damper	2
Crankshaft	2	Water Manifold	17
Cross-Reference List	47, 50	Water Pump	14
Cylinder Block	1		
Cylinder Head	6		
Cylinder Liners	1		
Drive Pulley	20, 21		
Exhaust Manifold	19		
Fan Bracket	16		
Filter, Lube Oil	9		
Flexplate	23		
Flywheel Housing	23		
Fuel Pump Assembly - AFC-Std. Auto	25-30		
Fuel Pump Housing	24, 25		
Mainshaft, Cover and Gov.	26, 27		
Governor Spring Pack	28		
Fuel Gear Pump	29		
Damper, Fuel Pump	30		
Fuel Pump Assembly - AFC-VS Gov.	34-40		
Fuel Pump Housing	34, 35		
Fuel Pump Filter	40		
Mainshaft, Cover and Gov.	36, 37		
VS Gov. Spring Pack	38, 39		
Fuel Gear Pump	29		
Damper, Fuel Pump	30		
Fuel Tubing	22		
Gear Cover	5		
Injector	32, 33		
Main Bearing Shells	2		
Oil Cooler	12		
Oil Dipstick Gauge	11		
Oil Pan	10, 11		
Oil Pump	13		

Items Not Illustrated

3011472	Gasket Set, Engine Overhaul	3011472 - Code 20
AR-45625	Gasket Set, Valve Grind	AR-45625 - Code 20
3010240	Gasket Set, Fuel Pump	3010240 - Code 20
Fuel Filter Supplied by A.M. General		
Complete Filter Assembly Numbers		
NSN	4930-00-477-8276	Cummins N/A
Ordinance	11664680	Fleetguard 256172
Service Replacement Element (W/Gaskets)		
NSN	2910-00-152-2033	Cummins 256559
Ordinance	11664669	Fleetguard FS-1201

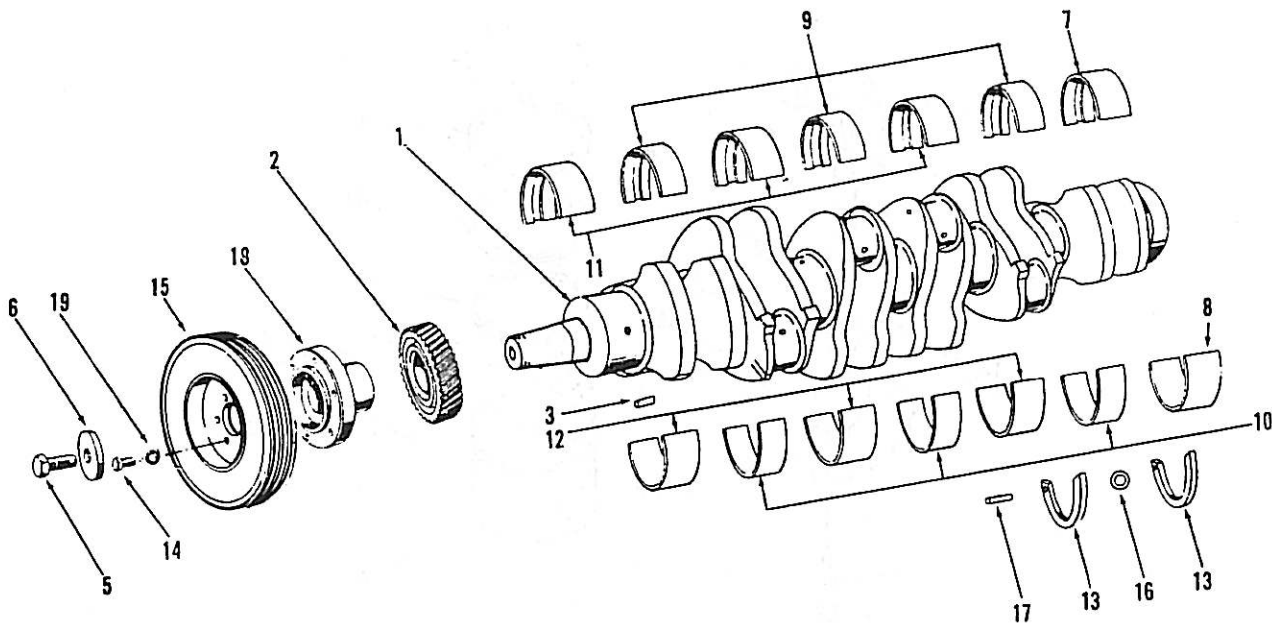


00810A

CYLINDER BLOCK

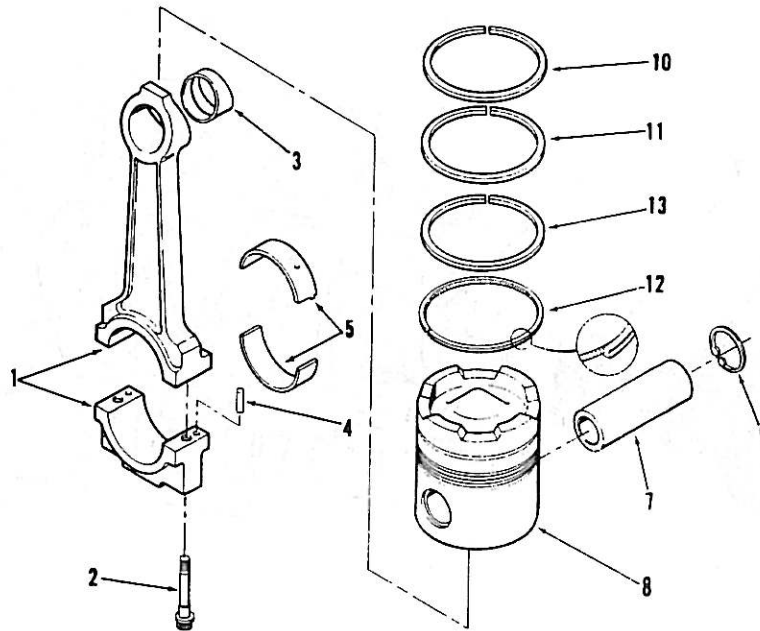
REF. NO.	PART NUMBER	PART NAME	NO. REQ'D.	REF. NO.	PART NUMBER	PART NAME	NO. REQ'D.
		CYLINDER BLOCK					
1	3801314	Assembly, cylinder block (3031264)	1				
	BM-27253	Bushing assembly, camshaft	1				
29	100670	Bushing	1				
31	157870	Bushing	6				
6	S-716	Plug, expansion	1				
7	S-719	Plug, expansion	1				
8	S-911-B	Plug, pipe	1				
9	S-966-E	Plug, pipe	1				
10	9226	Dowel, flywheel housing	2				
11	60408	Dowel, gear cover	1				
12	66292	Washer, plain	1				
13	68445	Pin, groove (head to block)	6				
14	69901	Plug, pipe	8				
15	70653	Dowel, gear cover	1				
	202903	Pin, roll	2				
17	210884	Plug, hex socket	1				
18	3008466	Plug, pipe	1				
19	3008468	Plug, pipe	3				
20	3008469	Plug, pipe	1				
21	3013786	Plug, pipe	5				
22	70089-1	Gasket, cover plate	1				
23	132019	Cover, water header	1				
24	3013904	Capscrew, captive	6				
25	69699	Washer, plain	36				
26	177734	Capscrew	36				
27	67211	Dowel, rear main bearing	2				
28	68585	Dowel, cam follower to block	6				
30	140218	Washer, plain	14				
32	208346	Capscrew	14				
33	3008047	Cap, main bearing (No. 1, 3, 5)	3				
33	3008048	Cap, main bearing (No. 2, 4, 6)	3				
33	3008049	Cap, main bearing (No. 7)	1				
34	3010596	Capscrew and washer	4				
35	127459	Support, hydraulic pump	1				
	AR-11317	Liner, cylinder	6				
36	183049	Seal, O-ring	6				
37	213740	Liner, cylinder	6				
38	215090	Seal, crevice	6				
39	3008998	Seal, O-ring	6				
40	3027288	Dataplate	1				
41	S-2286	Screw, dataplate	6				
42	3019955	Shim, liner (.007")	A/R				
42	3019956	Shim, liner (.008")	A/R				
42	3019957	Shim, liner (.009")	A/R				
42	3019958	Shim, liner (.020")	A/R				
42	3019959	Shim, liner (.031")	A/R				
42	3019960	Shim, liner (.062")	A/R				

PARTS INDENTED ARE INCLUDED IN THE PART UNDER WHICH THEY ARE INDENTED



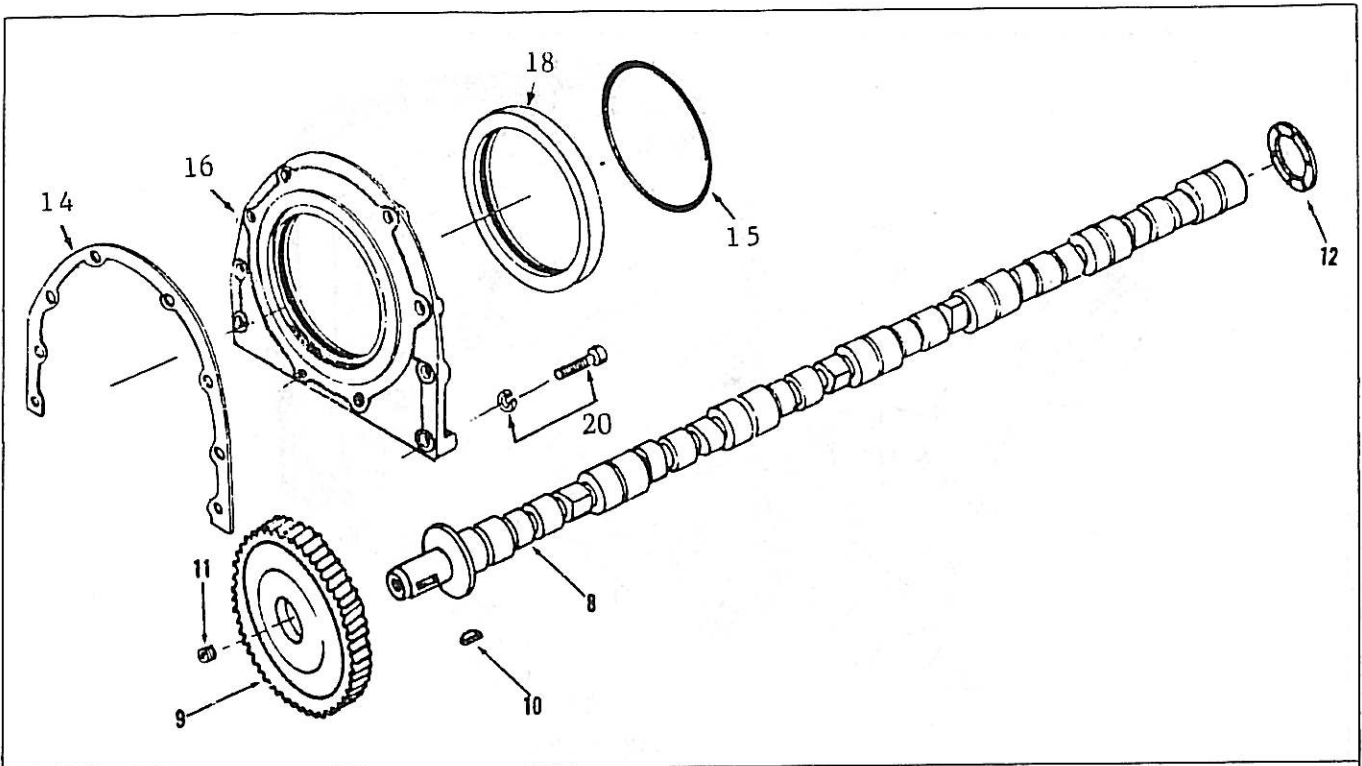
REF. NO.	PART NUMBER	PART NAME	NO. REQ'D.	REF. NO.	PART NUMBER	PART NAME	NO. REQ'D.
		CRANKSHAFT				VIBRATION DAMPER	
	AR-08566	Crankshaft assembly	1	14	S-112-A	Capscrew (1/2" - 20 x 1")	6
1	208460	Crankshaft	1	15	3017946	Damper, vibration	1
2	186286	Gear, crankshaft	1	18	202891	Flange, crankshaft	1
3	9300-1	Key, gear	1	19	S-608	Lockwasher (1/2")	6
5	140410	Capscrew, self-locking	1				
6	140411	Retainer, hub	1				
		MAIN BEARINGS					
	3801260*	Set, main bearing shell	1				
7	3019198	Shell, main bearing (No. 7 upper)	1				
8	3019204	Shell, main bearing (No. 7 lower)	1				
9	3019186	Shell, main bearing (No. 2, 4 and 6 upper)	3				
10	3019192	Shell, main bearing (No. 2, 4 and 6 lower)	3				
11	3019174	Shell, main bearing (No. 1, 3 and 5 upper)	3				
12	3019180	Shell, main bearing (No. 1, 3 and 5 lower)	3				
13	3019218	Ring, thrust	4				
16	60575	Dowel, ring	7				
17	202903	Roll pin, thrust ring	2				
		*Main bearings may be purchased in .010", .020", .030", or .040" undersize.					
	3801261 = .010"		A/R				
	3801262 = .020"		A/R				
	3801263 = .030"		A/R				
	3801264 = .040"		A/R				

PARTS INDENTED ARE INCLUDED IN THE PART UNDER WHICH THEY ARE INDENTED



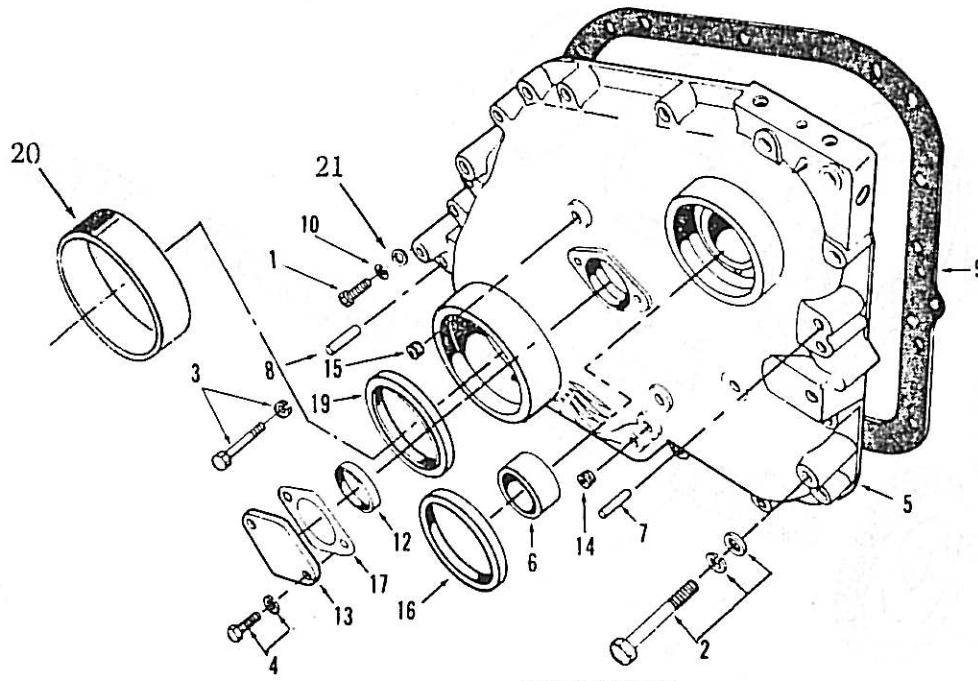
REF. NO.	PART NUMBER	PART NAME	NO. REQ'D.	REF. NO.	PART NUMBER	PART NAME	NO. REQ'D.
CONNECTING ROD				PISTON RINGS			
1	3013930	Connecting rod assembly (218808)	6	3014149	Ring set, piston	6	
2	219153	Bolt, connecting rod	12	10	147670	Ring, compression	6
3	187420	Bushing, piston pin	6	11	3012332	Ring, compression	6
4	70550	Dowel	12	12	218732	Ring, oil	6
5	214950*	Shell, connecting rod bearing	12	13	214730	Ring, compression	6
		*Connecting rod bearing shells may be purchased in undersize:					
		P/N 214951 = 0.010"	12				
		P/N 214952 = 0.020"	12				
		P/N 214953 = 0.030"	12				
PISTON							
	AR-06000	Piston assembly	6				
7	191970	Pin, piston	6				
8	198660	Piston	6				
9	175755	Ring, snap	12				

PARTS INDENTED ARE INCLUDED IN THE PART UNDER WHICH THEY ARE INDENTED



REF. NO.	PART NUMBER	PART NAME	NO. REQ'D.	REF. NO.	PART NUMBER	PART NAME	NO. REQ'D.
		CAMSHAFT					
8	3801030	Camshaft (R.H.) (3023228)	1				
9	109072	Gear, camshaft	1				
10	3021601	Key, gear	1				
11	68193	Plug, pipe (1/8")	1				
12	9235-1	Ring, thrust	1				
		REAR COVER					
20	3010594	Capscrew	8				
14	151623	Gasket, oil seal housing	1				
16	216165	Housing, oil seal	1				
15	137075	O-ring	1				
18	3006737	Seal, crankshaft (211253)	1				

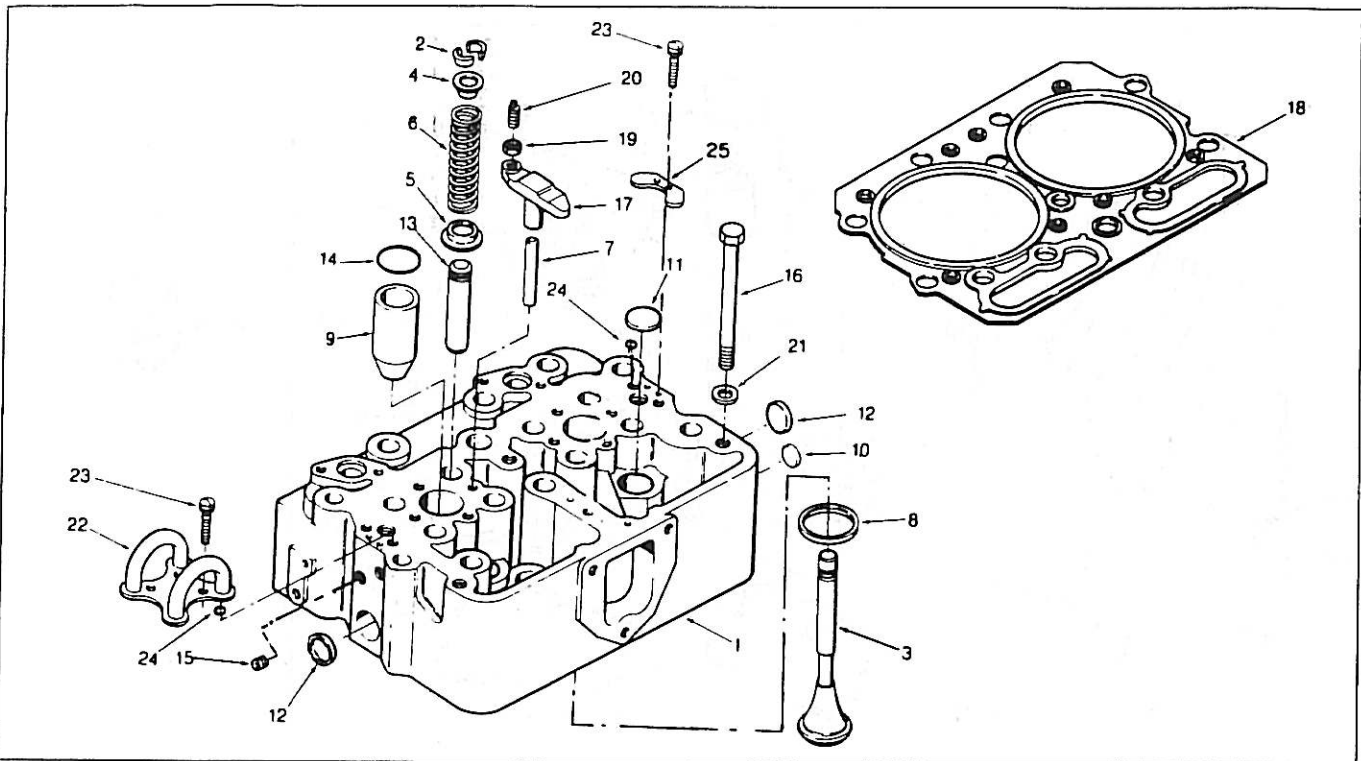
PARTS INDENTED ARE INCLUDED IN THE PART UNDER WHICH THEY ARE INDENTED



GEAR COVER

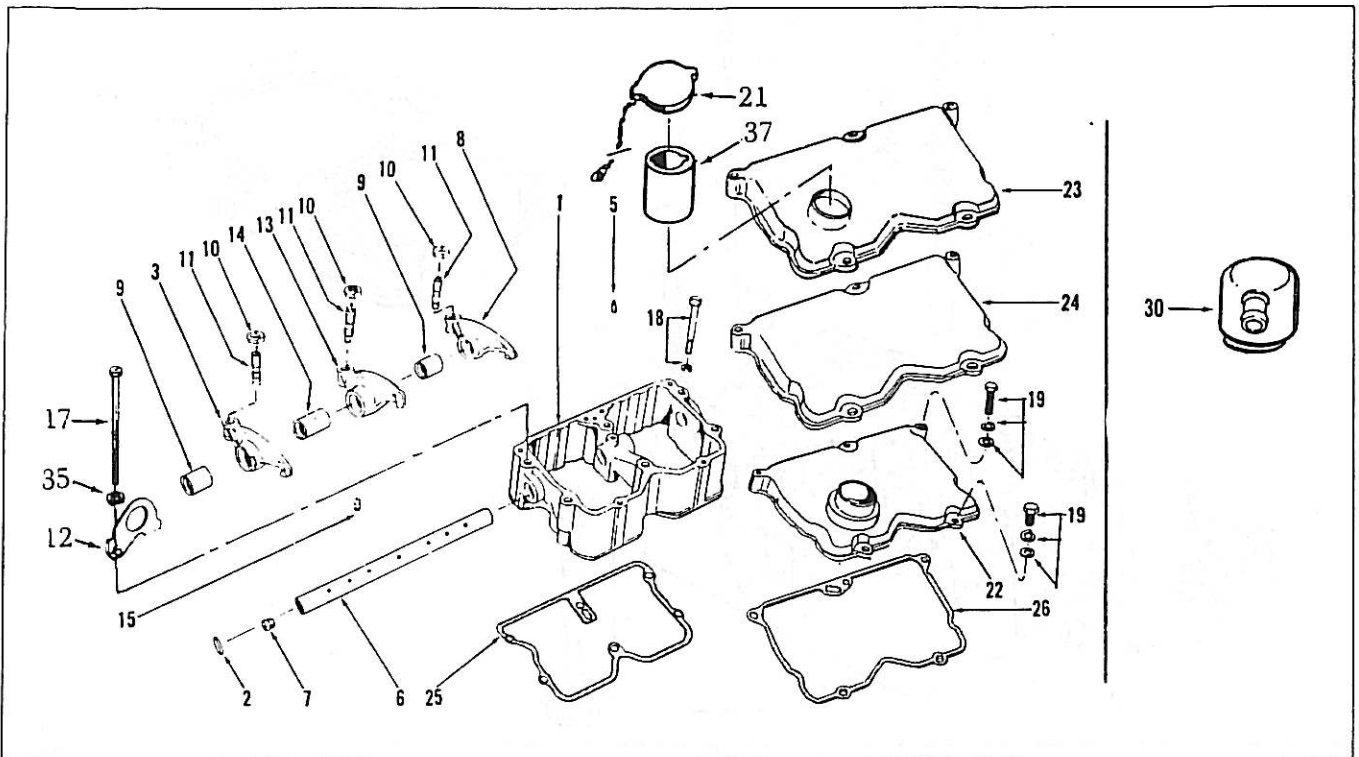
REF. NO.	PART NUMBER	PART NAME	NO. REQ'D	REF. NO.	PART NUMBER	PART NAME	NO. REQ'D.
GEAR COVER							
1	S-112	Capscrew (3/8" - 16 x 1")	2				
2	3011711	Capscrew and washers	15				
3	3011713	Capscrew and washer	1				
4	3011714	Capscrew and washer	2				
5	3024448	Cover, gear (215375)	1				
6	132770	Bushing	1				
20	68226-1	Bushing, trunnion	1				
7	60408	Dowel	1				
8	70653	Dowel	1				
9	214633	Gasket, cover	1				
10	S-604	Lockwasher (3/8")	2				
12	67270	Packing, camshaft thrust plate	1				
13	138988	Plate, camshaft thrust	1				
14	3013786	Plug, pipe (3/8")	1				
15	S-911-B	Plug, pipe (1/8")	1				
16	211255	Seal, accessory drive	1				
	BM-56657	Shim assembly	1				
17	68192-A	Shim (.010")	A/R				
17	68192-B	Shim (.005")	A/R				
17	68192-C	Shim (.002")	A/R				
17	185574	Shim, camshaft thrust (.025)	1				
19	208069	Seal, crankshaft oil	1				
21	S-602	Washer, plain (13/32")	2				

PARTS INDENTED ARE INCLUDED IN THE PART UNDER WHICH THEY ARE INDENTED



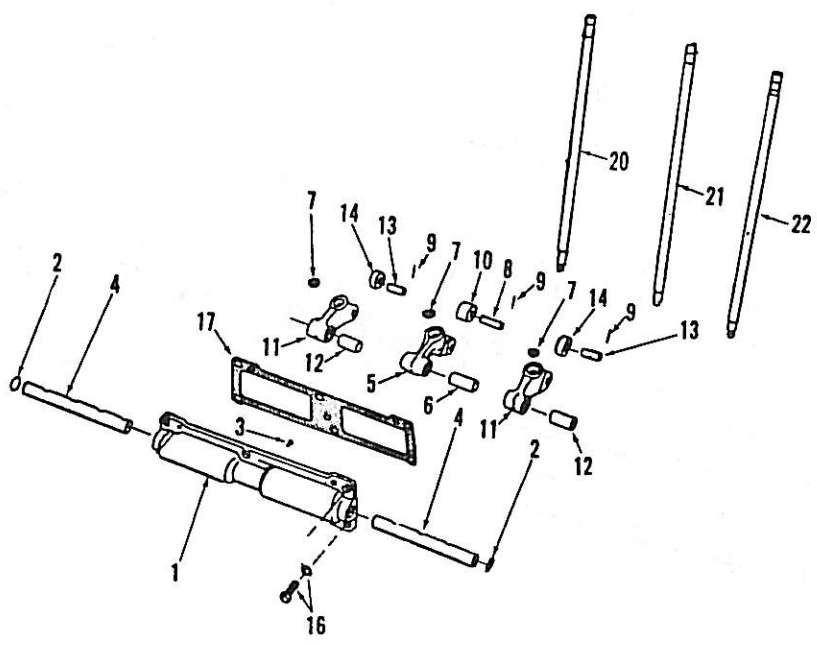
REF. NO.	PART NUMBER	PART NAME	NO. REQ'D.	REF. NO.	PART NUMBER	PART NAME	NO. REQ'D.
CYLINDER HEAD				MOUNTING PARTS			
1	3007835	Head, cylinder (3007717)	3	16	177734	Capscrew, head to block	36
2	127554	Collet, valve	48		3030038	Assembly, crosshead	12
3	135957	Valve, intake	12	17	3028293	Crosshead, valve	12
3	145701	Valve, exhaust	12	19	203131	Nut	12
4	170296	Guide, valve spring	24	20	147389	Screw, crosshead adjusting	12
5	172034	Guide, valve spring	24	21	69699	Washer, cylinder head	36
6	178869	Spring, exhaust valve	12	18	3014443	Gasket, cylinder head	3
6	211999	Spring, intake valve	12	22	147100	Crossover, fuel	2
7	3007833	Head, cylinder (3007717)	3	23	70772	Capscrew, springtite	12
7	123558	Guide, crosshead	12	24	131026	O-ring	12
8	127930	Insert, valve seat	12	25	135308	Fuel retainer	2
9	3011934	Sleeve, injector	6				
10	213394	Plug, expansion	3				
11	213395	Plug, expansion	18				
12	216524	Plug, expansion	6				
13	3006456	Guide, valve	24				
14	3007759	O-ring, injector	6				
15	S-911-B	Plug, pipe	10				

PARTS INDENTED ARE INCLUDED IN THE PART UNDER WHICH THEY ARE INDENTED



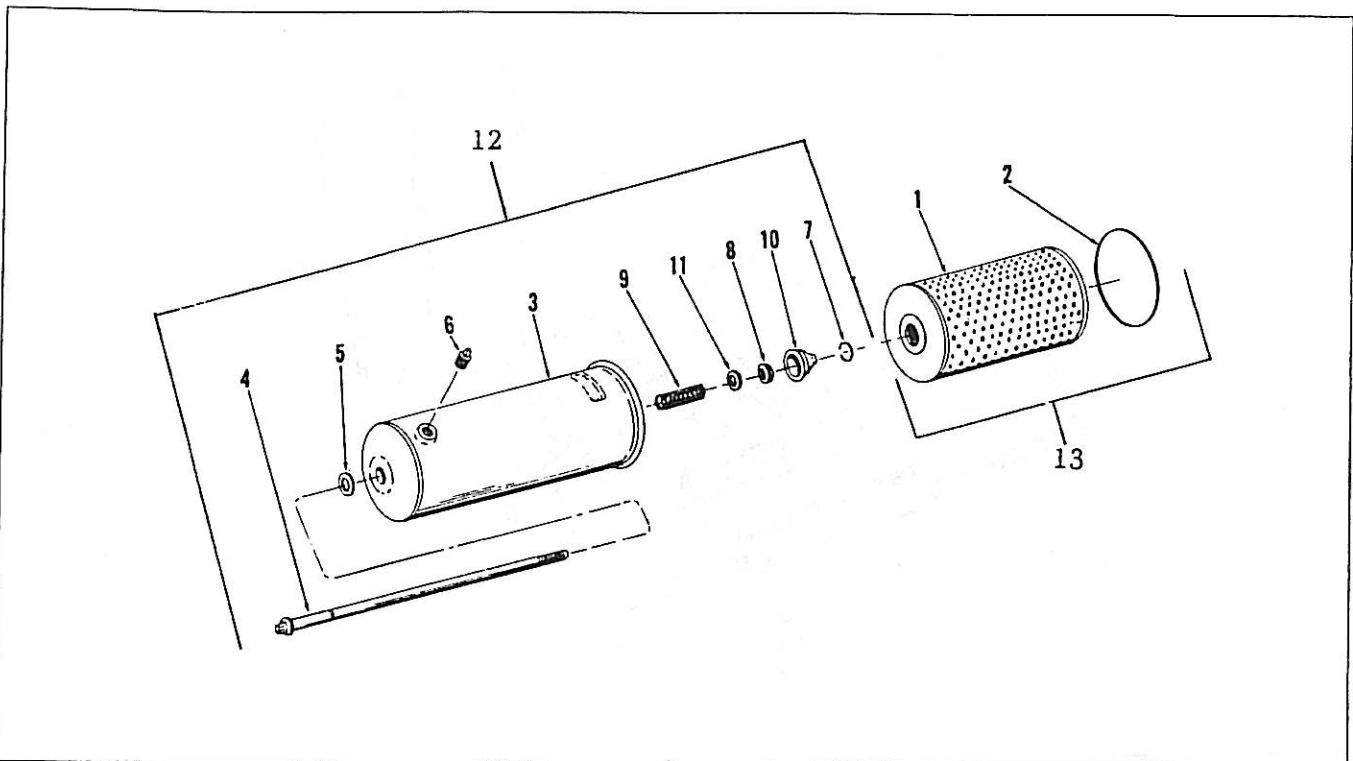
REF. NO.	PART NUMBER	PART NAME	NO. REQ'D.	REF. NO.	PART NUMBER	PART NAME	NO. REQ'D.
		ROCKER LEVER HOUSING, COVER AND BREATHER				ROCKER LEVER HOUSING, COVER AND BREATHER (Cont'd.)	
	AR-12952	Housing, rocker lever	3				
1	3007242	Housing, rocker lever	3	12	170226	Bracket, lifting	2
	3000521	O-ring, plug	6	17	S-176	Capscrew, lifting bracket	4
2	161825	Plug, expansion	6	18	3010589	Capscrew, housing	18
5	168319	Screw, Nyloc, rocker lever shaft	3	19	3006182	Capscrew, cover	15
6	140297	Shaft, rocker lever	3	21	208045	Cap, oil filler w/chain	1
7	218736	Plug, shaft	6	22	3006358	Cover, rear	1
8	BM-95162	Lever, exhaust valve (169705)	3	23	AR-51289	Cover, center (3012297)	1
9	140330	Bushing, lever	3	24	3006183	Cover, front	1
10	S-212	Nut, adjusting screw	3	25	3017750	Gasket, rocker housing	3
11	168306	Screw, adjusting	3	26	3020980	Gasket, cover	3
3	BM-95161	Lever, exhaust valve (169704)	3	35	S-608	Lockwasher (1/2")	4
9	140330	Bushing, lever	3	36	158208	Washer, plain (1/2")	15
10	S-212	Nut, adjusting screw	3	37	S-2902	Neck, filler	1
11	168306	Screw, adjusting	3				
8	BM-95160	Lever, intake valve (168803)	3			BREATHER	
9	140330	Bushing, lever	3	30	3008595	Breather, crankcase assembly	1
10	S-212	Nut, adjusting screw	3				
11	168306	Screw, adjusting	3				
3	BM-95159	Lever, intake valve (168805)	3				
9	140330	Bushing, lever	3				
10	S-212	Nut, adjusting screw	3				
11	168306	Screw, adjusting	3				
13	AR-02308	Lever, injector (218152)	6				
14	218153	Bushing, lever	6				
15	194037	Socket, injector	6				
10	S-212	Nut, adjusting screw	6				
11	213109	Screw, adjusting	6				

PARTS INDENTED ARE INCLUDED IN THE PART UNDER WHICH THEY ARE INDENTED



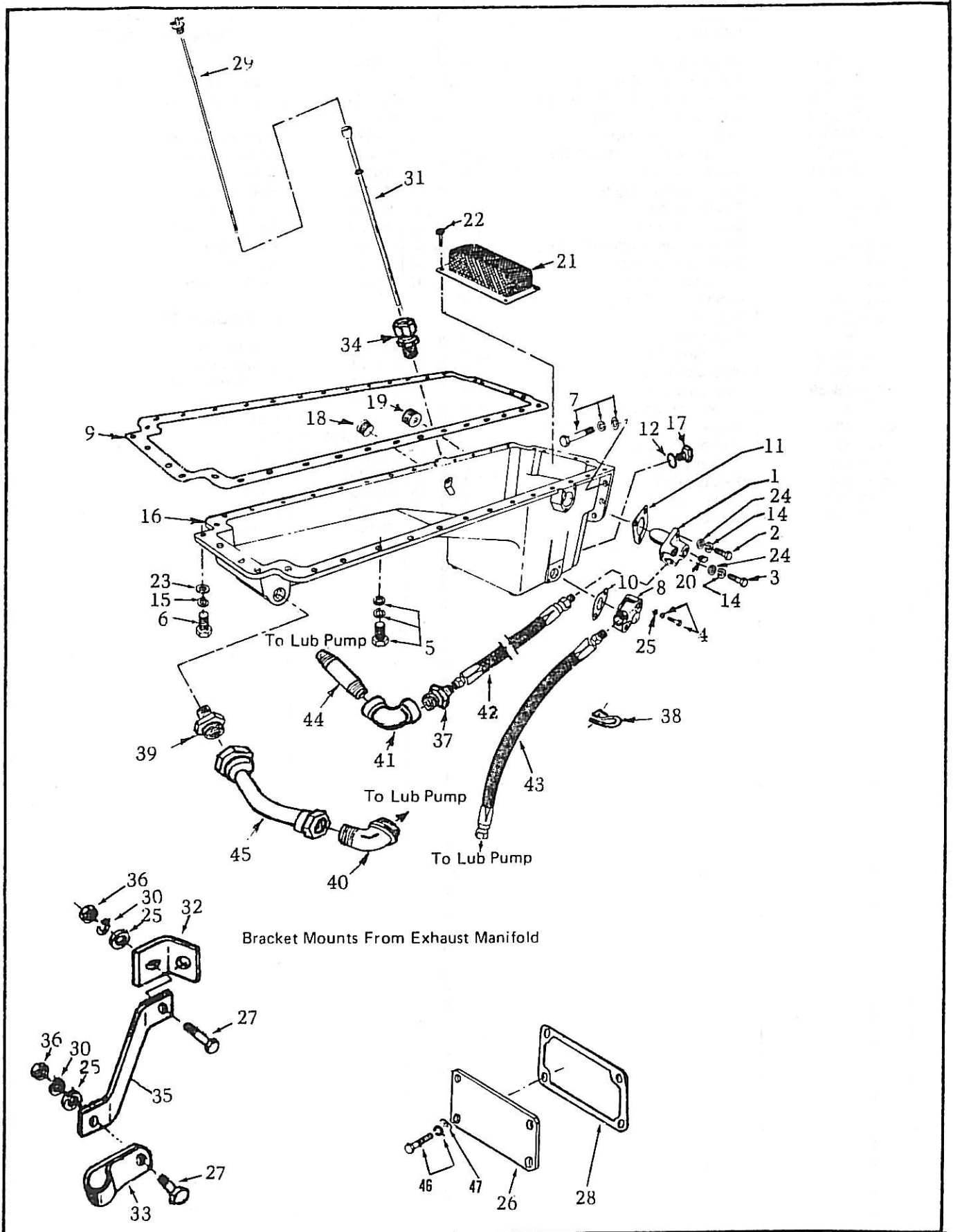
REF. NO.	PART NUMBER	PART NAME	NO. REQ'D.	REF. NO.	PART NUMBER	PART NAME	NO. REQ'D.
CAM FOLLOWER HOUSING				MOUNTING PARTS			
1	3018051	Assembly, cam follower housing	3	16	3010593	Capscrew and washer	18
	44035	Housing	3		AR-51482	Kit, housing gaskets	1
2	175831	Plug, expansion	6	17	9266	Gasket (.014 - .020)	6
3	69736	Screw, shaft	6	17	9266-A	Gasket (.007")	6
4	3017031	Shaft	6	17	120819	Gasket (.027 - .033")	6
	3018049	Cam follower assembly injector	6	17	3011272	Gasket (.020 - .024")	3
5	3018050	Cam follower and bushing (3017545)	6	17	3011273	Gasket (.037 - .041")	3
6	118377	Bushing	6	PUSH RODS			
7	213559	Insert	6	21	3027215	Tube assembly, injector	6
8	3017544	Pin, roller	6	21	112700	Tube assembly, intake	6
9	118939	Pin, roll	6	20	210650	Tube assembly, exhaust	6
10	7348-2	Roller, injector cam	6				
	BM-37634	Cam follower assembly, intake and exhaust	12				
11	BM-37633	Cam follower and bushing (120543)	12				
12	118378	Bushing	12				
7	107738	Insert	12				
13	68513	Pin, roller	12				
9	118939	Pin, roll	12				
14	9260-1	Roller, valve cam	12				

PARTS INDENTED ARE INCLUDED IN THE PART UNDER WHICH THEY ARE INDENTED



REF. NO.	PART NUMBER	PART NAME	NO. REQ'D.	REF. NO.	PART NUMBER	PART NAME	NO. REQ'D.
		LUBRICATING OIL FILTER					
	257526	Assembly, oil filter	1				
1	158139	Cartridge (LF-516)	1				
2	153528	Seal, shell to filter head	1				
12	165286	Shell and bolt	1				
3	153516	Shell (153513)	1				
4	3301954	Bolt	1				
5	8365	Gasket, copper	1				
6	69901	Plug, pipe	1				
7	3301956	Ring, snap	1				
8	153518	Seal, bolt	1				
9	153519	Spring, cartridge	1				
10	153521	Support, cartridge	1				
11	153520	Washer, bolt	1				
13	AR-51480	Cartridge and seal	1				
1	158139	Cartridge (LF-516)	1				
2	153528	Seal, shell to filter head	1				

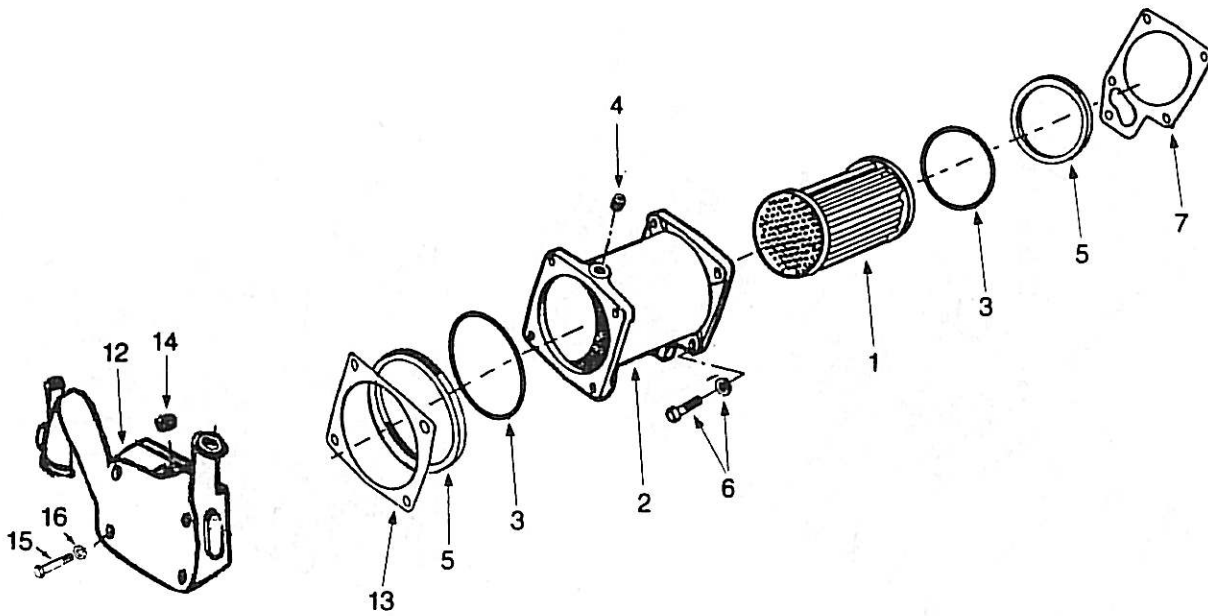
PARTS INDENTED ARE INCLUDED IN THE PART UNDER WHICH THEY ARE INDENTED



Bracket Mounts From Exhaust Manifold

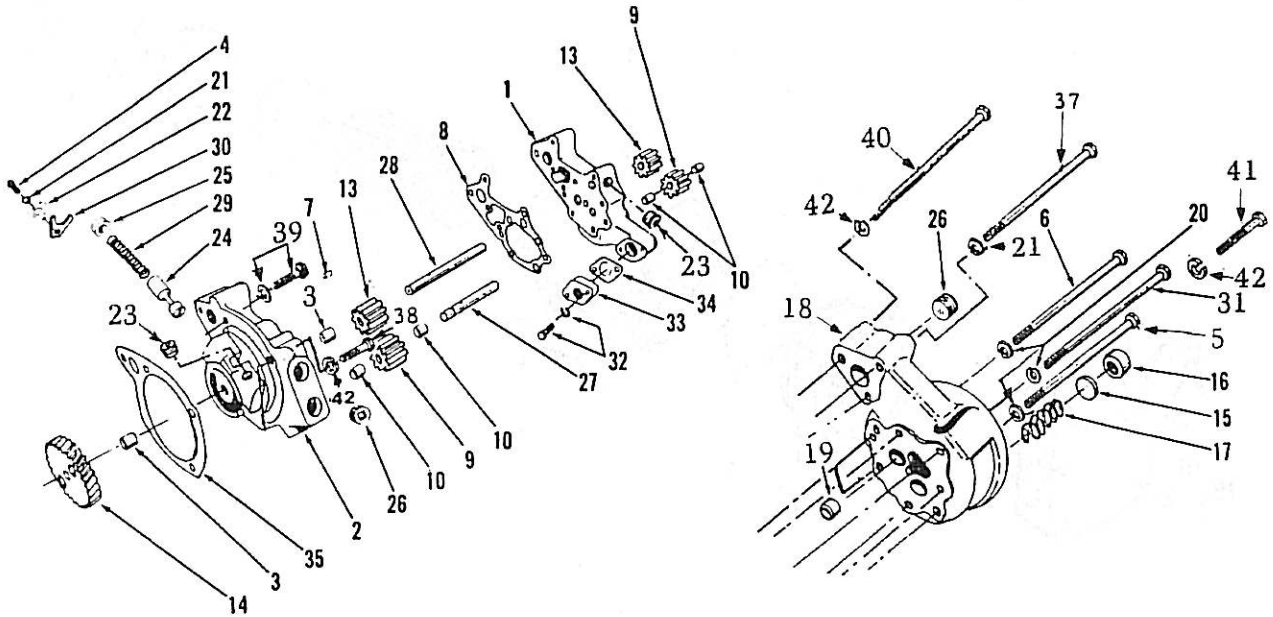
REF. NO.	PART NUMBER	PART NAME	NO. REQ'D.	REF. NO.	PART NUMBER	PART NAME	NO. REQ'D.
		OIL PAN				OIL GAUGE BRACKET	
1	204531	Aerator, oil pan	1	26	158145	Cover, oil gauge	1
2	S-119	Capscrew (5/16" - 18 x 1-1/4")	2	27	S-112	Capscrew (3/8" - 16 x 1")	2
3	S-147-B	Capscrew (5/16" - 18 x 2-1/2")	1	46	3010595	Capscrew and washer	4
4	3012473	Capscrew and washer	2	28	65274	Gasket, cover	1
5	3008069	Capscrew and washer	28	29	204993	Gauge, dipstick	1
6	185804	Capscrew (7/16" - 14 x 1-3/8")	4	30	S-604	Lockwasher (3/8")	2
7	3017050	Capscrew and washer	4	31	204587	Tube, dipstick	1
8	179688	Flange, lubricating oil	1	32	139395	Bracket, tube support	1
9	3027983	Gasket, oil pan	1	33	200064	Clamp, tube	1
11	110453	Gasket, aerator	1	34	163759	Connector, tube	1
10	157551	Gasket, lubricating oil flange	1	35	204966	Brace, tube	1
12	67946	Gasket, drain plug	1	36	S-223	Nut, tube support bracket	2
14	S-605	Lockwasher (5/16")	3	47	S-602	Washer, plain	4
15	S-610	Lockwasher (7/16")	4			LUBE OIL HOSE	
16	199068	Pan, oil	1				
17	69962	Plug, drain	1	37	67944	Adapter, hose	1
18	S-910-B	Plug, pipe (1/4")	1	38	114421	Clamp, hose	2
19	S-915-A	Plug, pipe (1/2")	1	39	S-1074	Connector, tube	1
20	3008469	Plug, pipe (3/4")	1	40	S-1075	Elbow, tube	1
21	20622	Screen, lubricating oil plate	1	41	S-987	Elbow, pipe	1
22	S-1354	Screw	4	42	AS1602906MS	Hose	1
23	S-622	Washer (15/32")	4	43	AS1603506MS	Hose	1
24	S-626	Washer (11/32")	3	44	S-939-B	Nipple, close	1
25	S-602	Washer (13/32")	4	45	202603	Tube	1
	200845	Thread, insert	1		S-1076	Nut	2
	67946	Washer, plain	1		S-1077	Sleeve	2

PARTS INDENTED ARE INCLUDED IN THE PART UNDER WHICH THEY ARE INDENTED



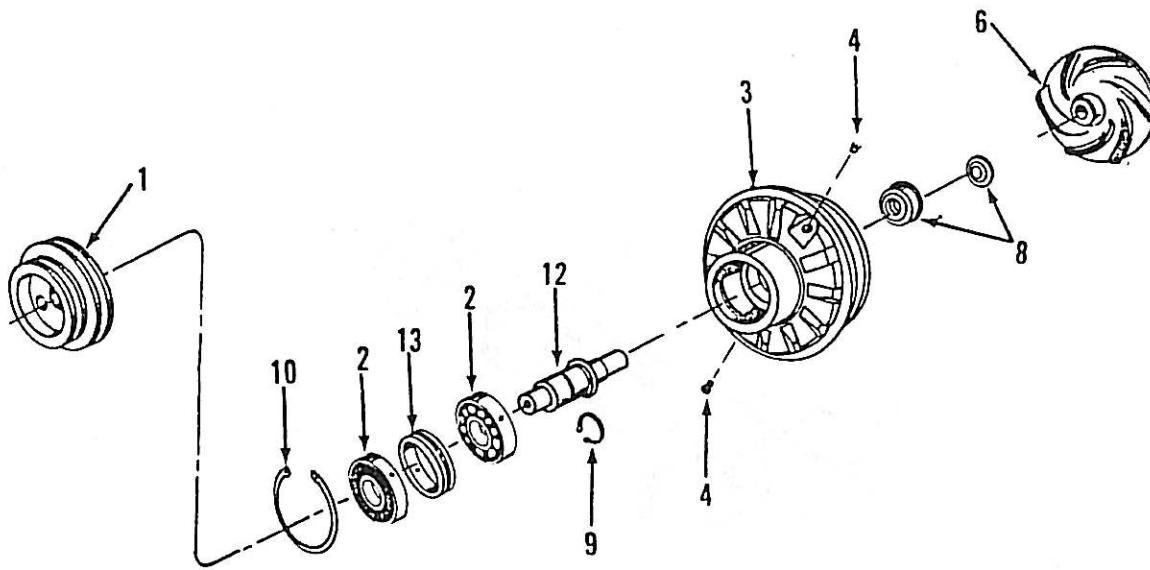
REF. NO.	PART NUMBER	PART NAME	NO. REQ'D.	REF. NO.	PART NUMBER	PART NAME	NO. REQ'D.
	BM-57837	Lubricating oil cooler assembly	1				
1	110848	Element	1				
2	127863	Housing	1				
3	3019116	O-ring	2				
4	3008466	Plug, pipe	2				
5	110827	Retainer, O-ring	2				
6	3010596	Capscrew and washer	5				
7	3008017	Gasket	1				
12	3030464	Cover, lube cooler	1				
13	68210	Gasket, connection	1				
14	3008469	Plug, pipe (3/4")	1				
15	S-126	Capscrew (3/8" - 16 x 2-1/2")	4				
16	S-604	Lockwasher	4				
	3013786	Plug, pipe	3				
	AR-51481	Gasket kit, oil cooler	1				
3	3019116	Ring, packing	2				
7	3008017	Gasket, block	1				
13	68210	Gasket, cover	1				

PARTS INDENTED ARE INCLUDED IN THE PART UNDER WHICH THEY ARE INDENTED



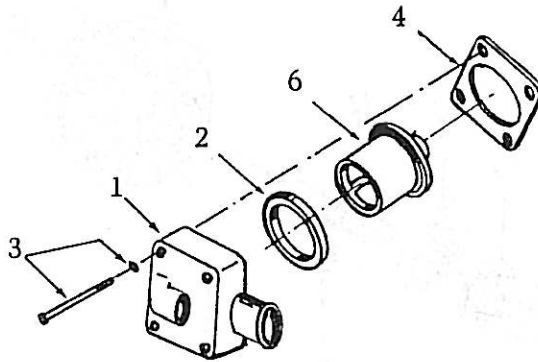
REF. NO.	PART NUMBER	PART NAME	NO. REQ'D.	REF. NO.	PART NUMBER	PART NAME	NO. REQ'D.
		LUBRICATING OIL PUMP				MOUNTING PARTS	
	BM-94082	Pump assembly, lub. oil	1	39	3012479	Capscrew and washer	2
1	151917	Body, inner	1	40	69960	Capscrew, hex head (7/16" - 20 x 6-1/2")	1
2	AR-51234	Body and bushing (164162)	1	41	169657	Capscrew, hex head (7/16" - 20 x 7-1/4")	1
3	68586	Bushing	2				
4	S-109	Capscrew (3/8" - 16 x 7/8")	1				
5	S-130-A	Capscrew (3/8" - 16 x 5-1/4")	3	32	3010596	Capscrew and washer	2
6	S-169-A	Capscrew (3/8" - 16 x 4-1/2")	2	33	203502	Flange, scavenger pump	1
31	S-199-A	Capscrew (3/8" - 16 x 4")	1	34	134285	Gasket, flange to body	1
37	101662	Capscrew (5/16" - 18 x 4-1/2")	2	35	3031434	Gasket, pump to block	1
38	3012480	Capscrew and washer	1	42	S-610	Lockwasher (7/16")	2
7	69519	Dowel	2				
8	151911	Gasket, housing	2				
9	3017065	Gear and bushing (68589)	2				
10	68586	Bushing	4				
13	68588	Gear, impeller drive	2				
14	3025198	Gear, main drive	1				
	BM-94081	Head, filter	1				
15	200819	Disc, by-pass	1				
16	153526	Seat, by-pass	1				
17	251152	Spring	1				
18	BM-94080	Head, filter (197093)	1				
19	68586	Bushing	1				
20	S-604	Lockwasher (3/8")	7				
21	S-605	Lockwasher (5/16")	2				
22	109319	Lockplate	1				
24	127558	Plunger, regulator	1				
25	134596	Plug, by-pass valve	1				
26	3008469	Plug, pipe (3/4")	2				
23	67622	Plug, pipe (3/8")	1				
27	133848	Shaft, idler	1				
28	164164	Shaft, drive	1				
29	68274	Spring, by-pass valve	1				
30	126304	Yoke, by-pass valve cap	1				

PARTS INDENTED ARE INCLUDED IN THE PART UNDER WHICH THEY ARE INDENTED



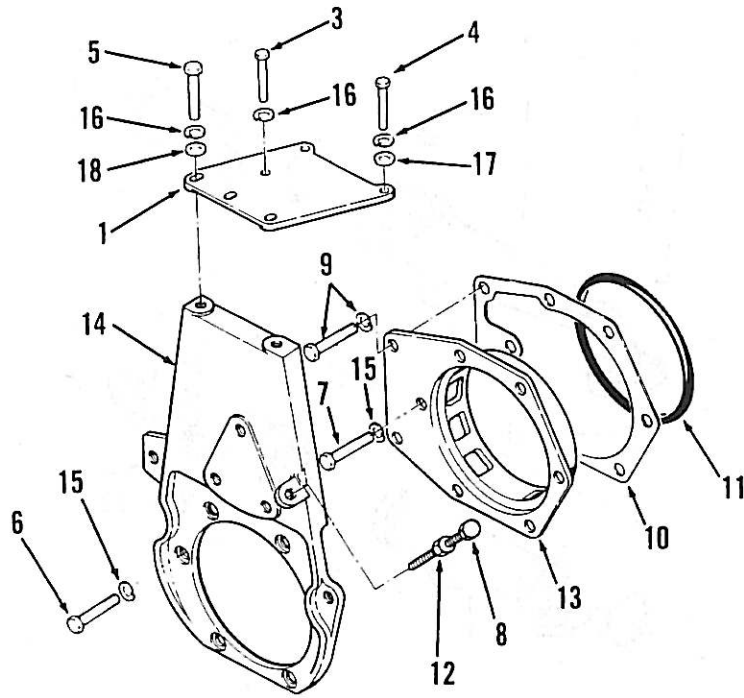
REF. NO.	PART NUMBER	PART NAME	NO. REQ'D.	REF. NO.	PART NUMBER	PART NAME	NO. REQ'D.
		WATER PUMP					
	AR-04284	Pump, water (with pulley)	1				
1	154966	Pulley, water pump	1				
	AR-04283	Pump, water (less pulley)	1				
2	115519	Bearing, water pump	2				
3	196845	Body, water pump	1				
4	S-911-B	Plug, pipe	2				
6	3020479	Impeller	1				
8	AR-12732	Seat and seal assembly	1				
9	112302	Ring, retaining	1				
10	S-16255	Ring, snap	1				
12	199410	Shaft, water pump	1				
13	196844	Spacer, bearing	1				
	3019061	Belt, water pump	1				

PARTS INDENTED ARE INCLUDED IN THE PART UNDER WHICH THEY ARE INDENTED



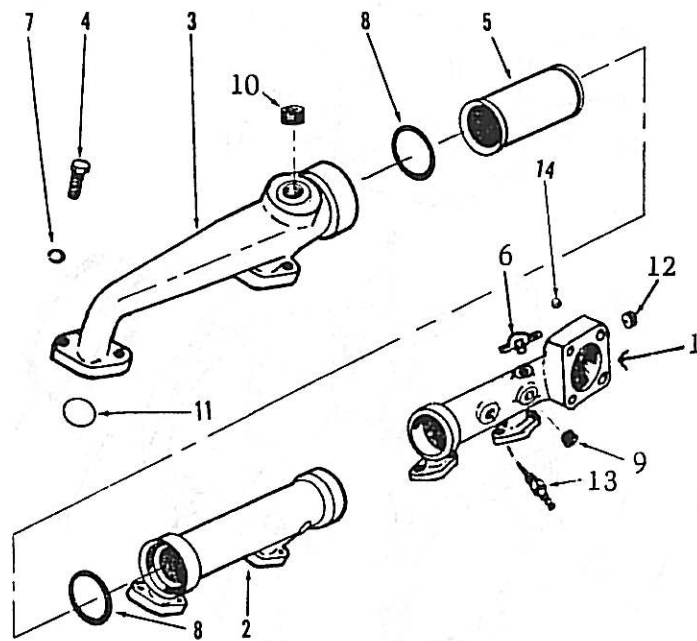
REF. NO.	PART NUMBER	PART NAME	NO. REQ'D.	REF. NO.	PART NUMBER	PART NAME	NO. REQ'D.
		THERMOSTAT HOUSING					
1	AR-51264	Housing and seal, thermostat (3013607)	1				
2	186780	Seal, thermostat	1				
3	3010597	Capscrew and washer	4				
4	70441	Gasket, thermostat housing	1				
6	204586	Thermostat (175° - 195°) (VD 111854)	1				

PARTS INDENTED ARE INCLUDED IN THE PART UNDER WHICH THEY ARE INDENTED



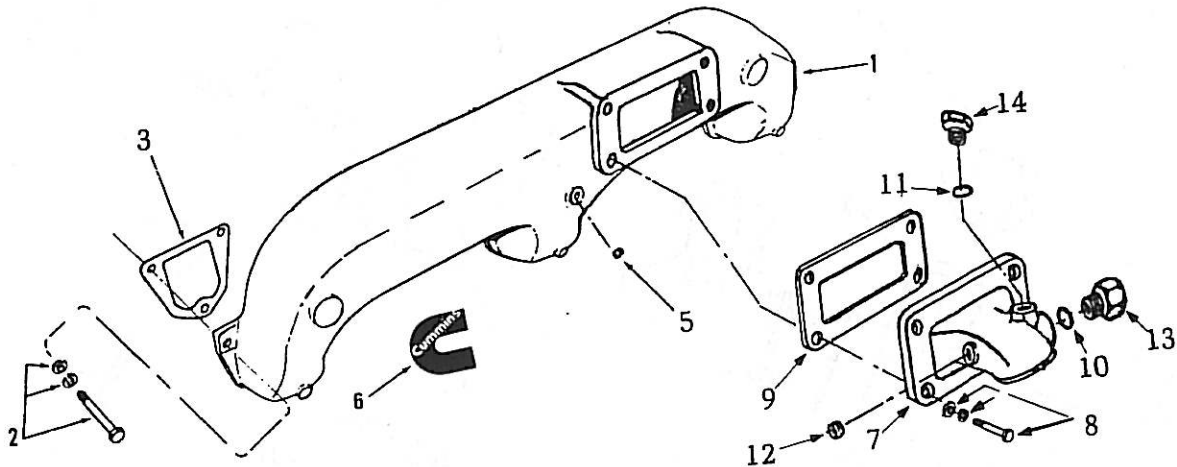
REF. NO.	PART NUMBER	PART NAME	NO. REQ'D.	REF. NO.	PART NUMBER	PART NAME	NO. REQ'D.
		FAN BRACKET SUPPORT					
1	131622	Brace, fan	1				
4	S-176	Capscrew	2				
5	69952	Capscrew	2				
6	105831	Capscrew	6				
7	106549	Capscrew	1				
8	166777	Capscrew	1				
9	3010594	Capscrew and washer	1				
10	130226	Gasket	1				
11	130240	Gasket	1				
12	S-285	Nut	1				
13	130227	Support	1				
14	147588	Support	1				
15	S-604	Washer, lock	7				
16	S-608	Washer, lock	7				
17	S-670	Washer, plain	2				
18	117267	Washer, plain	2				

PARTS INDENTED ARE INCLUDED IN THE PART UNDER WHICH THEY ARE INDENTED



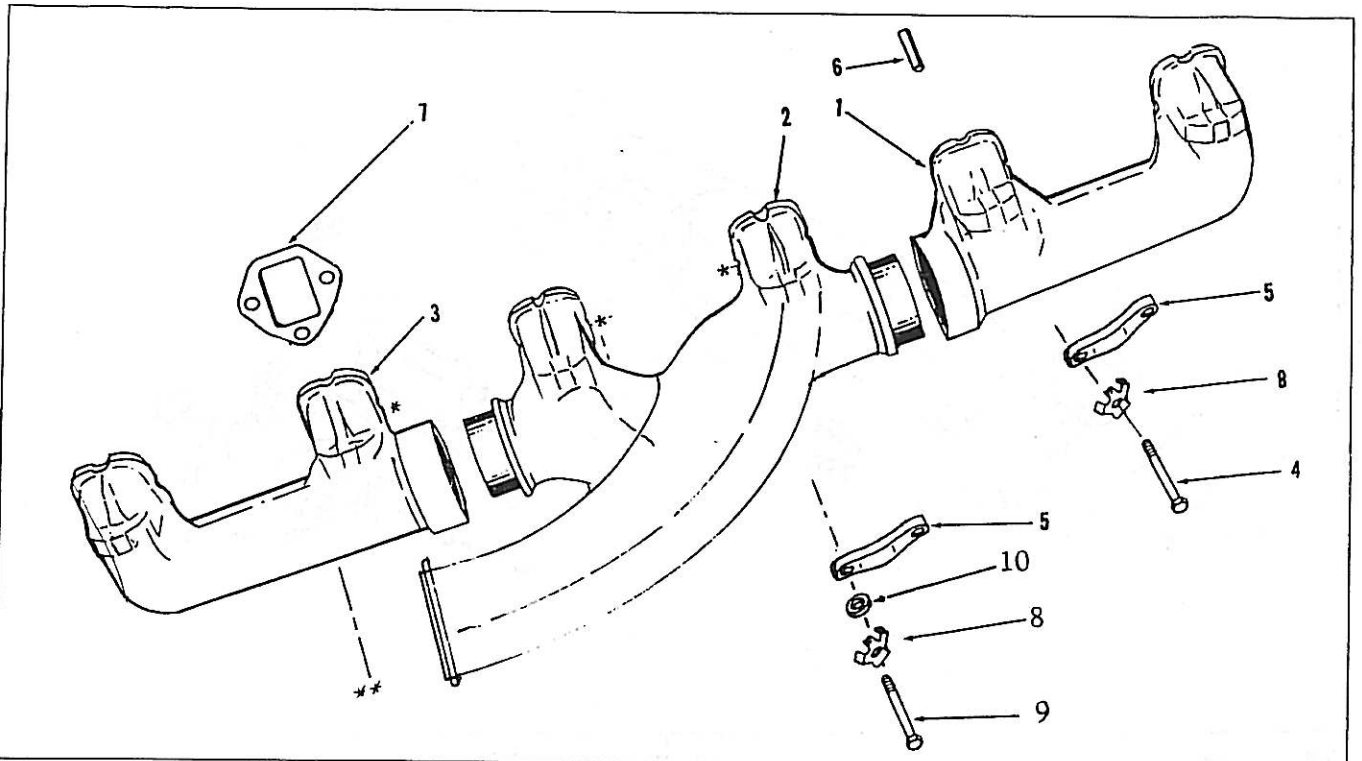
REF. NO.	PART NUMBER	PART NAME	NO. REQ'D.	REF. NO.	PART NUMBER	PART NAME	NO. REQ'D.
WATER MANIFOLD							
1	202334	Manifold, water (front)	1				
2	3030866	Manifold, water (center)	1				
3	3013001	Manifold, water (rear)	1				
4	3010596	Capscrew and washer	12				
5	130394	Coupling, manifold	2				
6	S-962-E	Cock, drain	1				
8	70624	O-ring, coupling	4				
9	3008468	Plug, pipe	4				
10	S-908	Plug, pipe	1				
11	148203	Ring, sealing	6				
12	3008468	Plug, pipe	1				
13	142511	Sending, unit, water temperature	1				
14	217632	Plug, pipe	1				

PARTS INDENTED ARE INCLUDED IN THE PART UNDER WHICH THEY ARE INDENTED



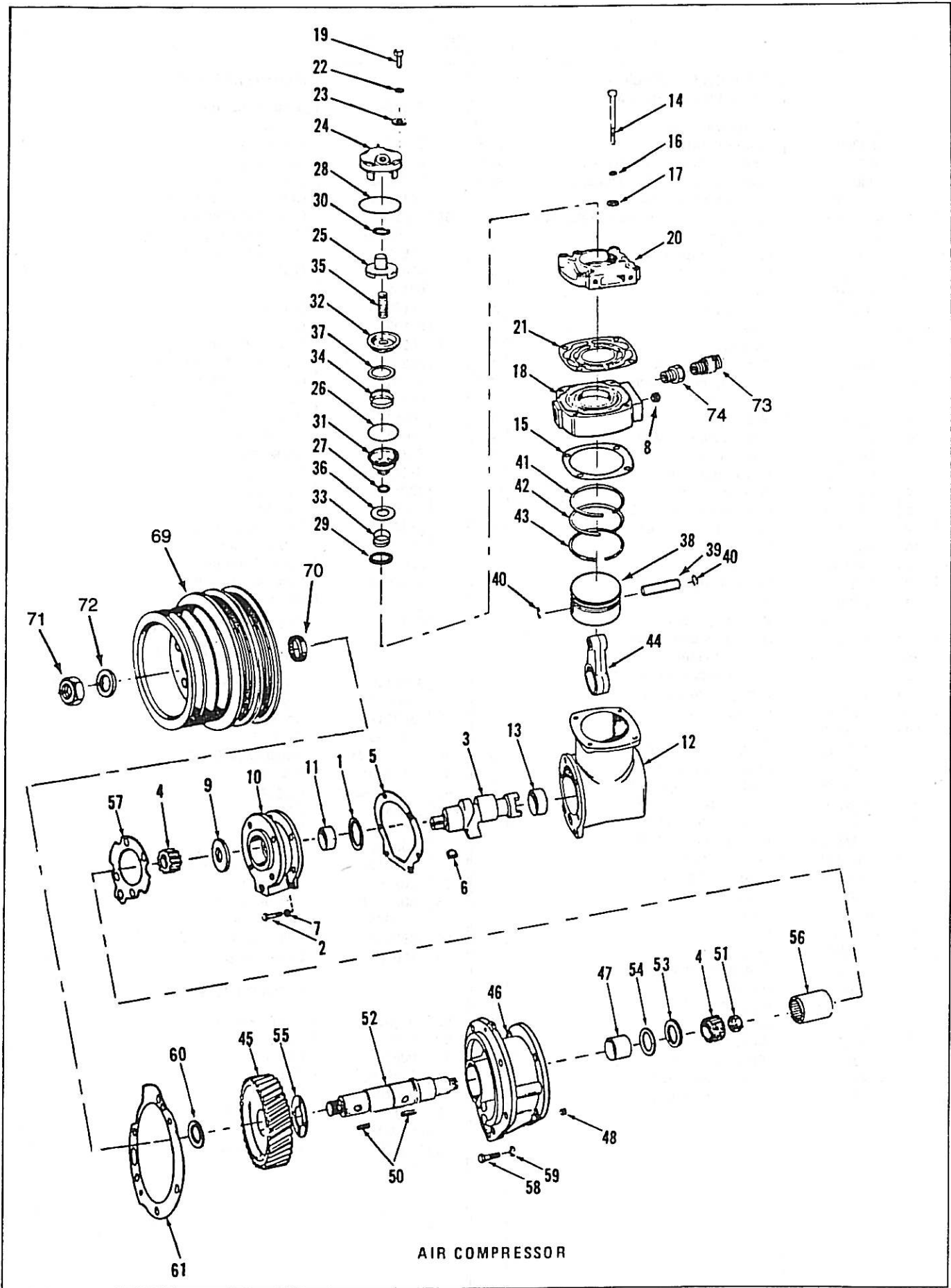
REF. NO.	PART NUMBER	PART NAME	NO. REQ'D.	REF. NO.	PART NUMBER	PART NAME	NO. REQ'D.
AIR INTAKE MANIFOLD							
1	202890	Manifold, air intake	1				
2	3011715	Capscrew and washers	9				
3	3008591	Gasket	3				
5	S-910-B	Plug, pipe (1/4")	2				
6	3027151	Nameplate	1				
AIR INTAKE CONNECTION							
7	202586	Connection, intake	1				
8	3011715	Capscrew and washers	4				
9	3012972	Gasket	1				
10	67946	Gasket, copper	1				
11	138609	Gasket, plug	1				
12	3008466	Plug, pipe	1				
13	108392	Plug	1				
14	138608	Plug	1				

PARTS INDENTED ARE INCLUDED IN THE PART UNDER WHICH THEY ARE INDENTED



REF. NO.	PART NUMBER	PART NAME	NO. REQ'D.	REF. NO.	PART NUMBER	PART NAME	NO. REQ'D.
EXHAUST MANIFOLD							
1	194923	Manifold, exhaust (front)	1				
2	210879	Manifold, exhaust (center)	1				
3	194921	Manifold, exhaust (rear)	1				
4	200908	Capscrew (7/16" - 14 x 4")	8				
5	200919	Clamp	6				
6	105199	Dowel	6				
7	142234	Gasket	6				
8	114638	Lockplate	12				
9	S-152	Capscrew (7/16" - 14 x 4-1/4")	4				
10	S-622	Spacer	6				
		**Use capscrew Ref. No. 9 (Dipstick tube support bracket mounts on manifold)					
		*Expansion tank mounts with (3) manifold capscrews					

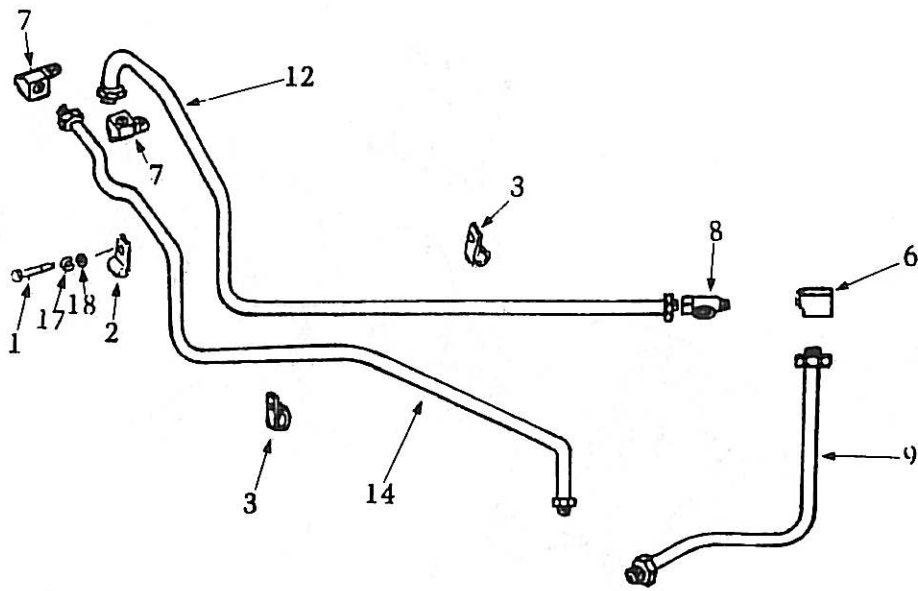
PARTS INDENTED ARE INCLUDED IN THE PART UNDER WHICH THEY ARE INDENTED



AIR COMPRESSOR

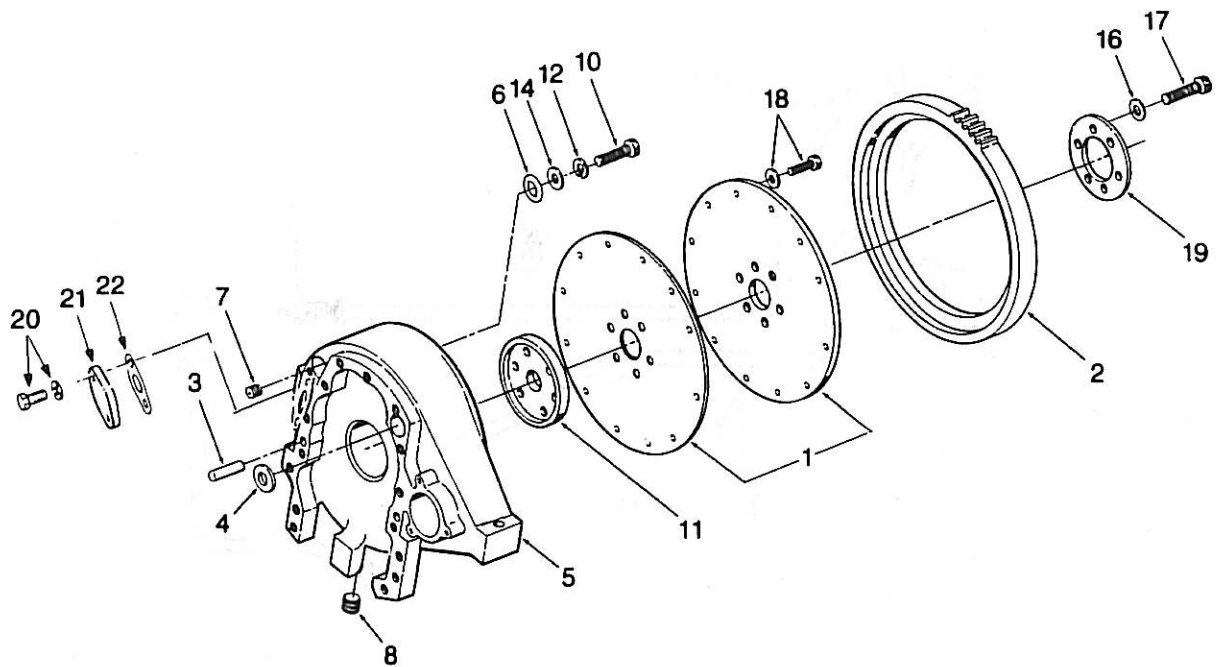
REF. NO.	PART NUMBER	PART NAME	NO. REQ'D.	REF. NO.	PART NUMBER	PART NAME	NO. REQ'D.
		AIR COMPRESSOR - COUPLING DRIVEN				MOUNTING PARTS	
	3018527	Compressor, air	1		202356	Bracket, compressor support	1
1	188040	Bearing, thrust	A/R		S-111	Capscrew	1
1	188042	Bearing, thrust .002" oversize	A/R		S-140	Capscrew	2
1	188044	Bearing, thrust .004" oversize	A/R		212752	Capscrew	1
2	3010596	Capscrew and washer	4		3010592	Capscrew and washer	2
3	AR-10922	Crankshaft, compressor (3000167)	1	56	3019573	Capscrew and washer	2
4	3000174	Coupling, half	1		199349	Coupling, drive	1
5	176027	Gasket, support	1		S-1002-A	Connector, flexible tube	1
	139761	Plug, pipe	1		196282	Connection, air inlet	1
	S-965-E	Plug, pipe	1		43828-A	Clamp, hose	4
8	3008468	Plug, pipe (1/2")	1		68152	Clip	1
9	211622	Washer, thrust	1		S-1005-A	Elbow	2
10	3005152	Support	1		S-1090	Elbow	1
12	3018491	Crankcase (176025)	1	57	3025890	Gasket, housing to support	1
13	147610	Bushing, crankshaft	1		3029087	Gasket, F.P. to air compressor	1
14	S-155-A	Capscrew	4		157911	Gasket, air intake connection	1
15	154018	Gasket	1		61554	Hose	1
16	S-605	Lockwasher (5/16")	4		200517	Hose	1
	136403	Nameplate	1		S-605	Lockwasher	2
	S-2286	Screw, nameplate	6		S-610	Lockwasher	3
17	S-626	Washer, plain	4		S-217	Nut	2
18	AR-13108	Head, compressor (218793)	1		3008465	Plug, pipe	1
19	3021470	Capscrew and washer	2		114850	Spacer	1
20	153964	Cover	1		215457	Support, tube	1
21	154996	Gasket	1		204904	Tube, air supply	1
22	S-605	Lockwasher (5/16")	1		204898	Tube, water inlet	1
23	109557	Washer	2		3031619	Tube, water outlet	1
	AR-04154	Valve assembly	1		108330	Washer, plain	3
24	153966	Body, unloader valve	1		S-631	Washer, plain	1
25	191037	Cap, unloader	1				
26	211315	O-ring, intake valve	1			ACCESSORY DRIVE	
27	128085	O-ring, exhaust valve	1		3005136	Drive, accessory	1
28	128086	O-ring, unloader valve	1		3000173	Capscrew	1
29	183429	Plate, wear	1	4	3000174	Coupling, half	1
30	127936	Seal, unloader cap	1	45	121933	Gear	1
31	144714	Seat, exhaust valve	1	46	AR-45724	Housing (3002171)	1
32	145028	Seat, intake valve	1	47	116391	Bearing	1
33	128080	Spring, exhaust valve	1	48	S-911-B	Plug, pipe (1/8")	2
34	190334	Spring, intake valve	1	50	70550	Dowel	2
35	3023101	Spring, unloader valve	1	51	191517	Nut	1
36	127940	Valve, exhaust	1	52	3000171	Shaft	1
37	144948	Valve, intake	1	53	3014103	Washer, clamping	1
	BM-77410	Piston assembly	1	54	3026556	Washer, thrust	1
38	165430	Piston	1	55	3026557	Washer, thrust	1
39	119810	Pin	1		170664	Washer, plain	1
40	119859	Ring, snap	2	69	3030506	Pulley, drive (3030463)	1
44	3018151	Rod, assembly	1	70	190397	Sleeve, wear	1
	3018153	Bearing, rod	1				
	AR-73350	Ring set	1			MOUNTING PARTS	
41	650330	Ring, compression	1	58	3010590	Capscrew and lockwasher	5
42	187350	Ring, compression	1	50	70550	Dowel	1
43	180810	Ring, oil control	1	61	200809	Gasket	1
73	S-920	Nipple, plain pipe	1	71	3012526	Nut, lock	1
74	3005812	Reducer coupling	1		3013786	Plug, pipe	1
				60	3008947	Seal, keyway	1
					3010919	Pin, roll	1
				72	193136	Washer, plain	1

PARTS INDENTED ARE INCLUDED IN THE PART UNDER WHICH THEY ARE INDENTED



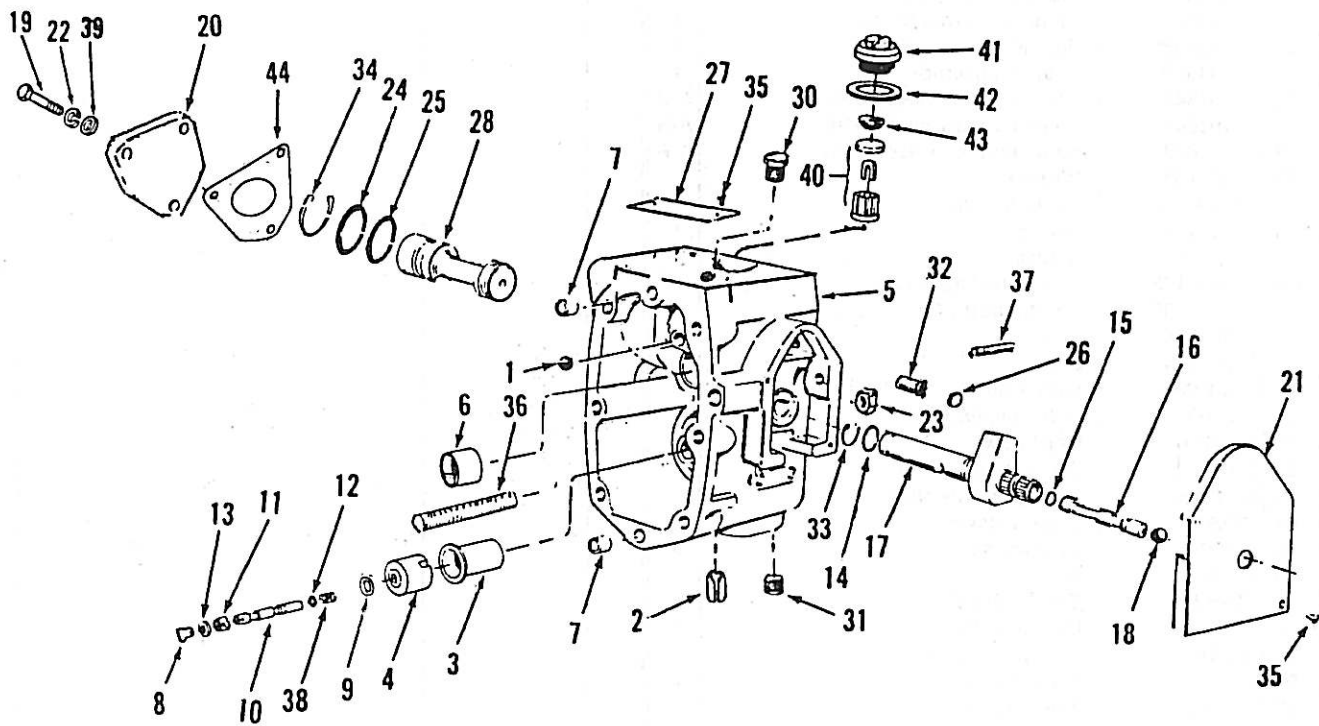
REF. NO.	PART NUMBER	PART NAME	NO. REQ'D.	REF. NO.	PART NUMBER	PART NAME	NO. REQ'D.
		FUEL TUBING (St'd. Automotive Gov.)					
	3011716	Capscrew and washers	1				
1	S-188-C	Capscrew (1/4" - 20 x 1/2")	1				
	137796	Capscrew (3/8" - 24 x 1/2")	1				
2	180371	Clip, tube	1				
3	180372	Clip, tube	2				
7	181213	Elbow	2				
6	203849	Elbow, connector	1				
	S-600	Lockwasher (1/4")	1				
17	S-604	Lockwasher (3/8")	1				
8	209726	Tee, fuel by-pass	1				
14	3000657	Tube, fuel supply	1				
9	204917	Tube, fuel by-pass	1				
12	204916	Tube, fuel drain	1				
	215218	Support, fuel tube	1				
	S-626	Washer, plain	1				
18	S-631	Washer, plain	1				
	S-602	Washer	1				
		AFC FUEL PUMP WITH VS GOV. Same as above except:					
	OMIT:						
14	3000657	Tube, fuel supply	1				
	ADD:						
14	3006999	Tube, fuel supply	1				

PARTS INDENTED ARE INCLUDED IN THE PART UNDER WHICH THEY ARE INDENTED



REF. NO.	PART NUMBER	PART NAME	NO. REQ'D.	REF. NO.	PART NUMBER	PART NAME	NO. REQ'D.
		FLYWHEEL HOUSING				FLEXPLATE	
3	9226	Dowel, flywheel housing	2		3007279	Disc, flexplate assembly	1
4	9333-1	Gasket, flywheel housing	1	1	3019077	Flexplate	1
5	3014979	Housing, flywheel	1	2	217381	Gear, flywheel ring	1
6	172648	Packing, preformed	9	11	3007148	Adapter, crankshaft	1
7	3008465	Plug, pipe (1/8")	1	17	180175	Capscrew	6
8	3008469	Plug, pipe (3/4")	1	18	3011315	Capscrew and washer	12
10	138042	Screw, cap, housing	9	19	217385	Ring, clamping	1
12	S-603	Washer, lock	9	16	200861	Washer, plain	6
14	127316	Washer, plain	9				
20	3011342	Capscrew and washer	2				
21	70657	Cover, index hole	1				
22	3021735	Gasket, cover	1				

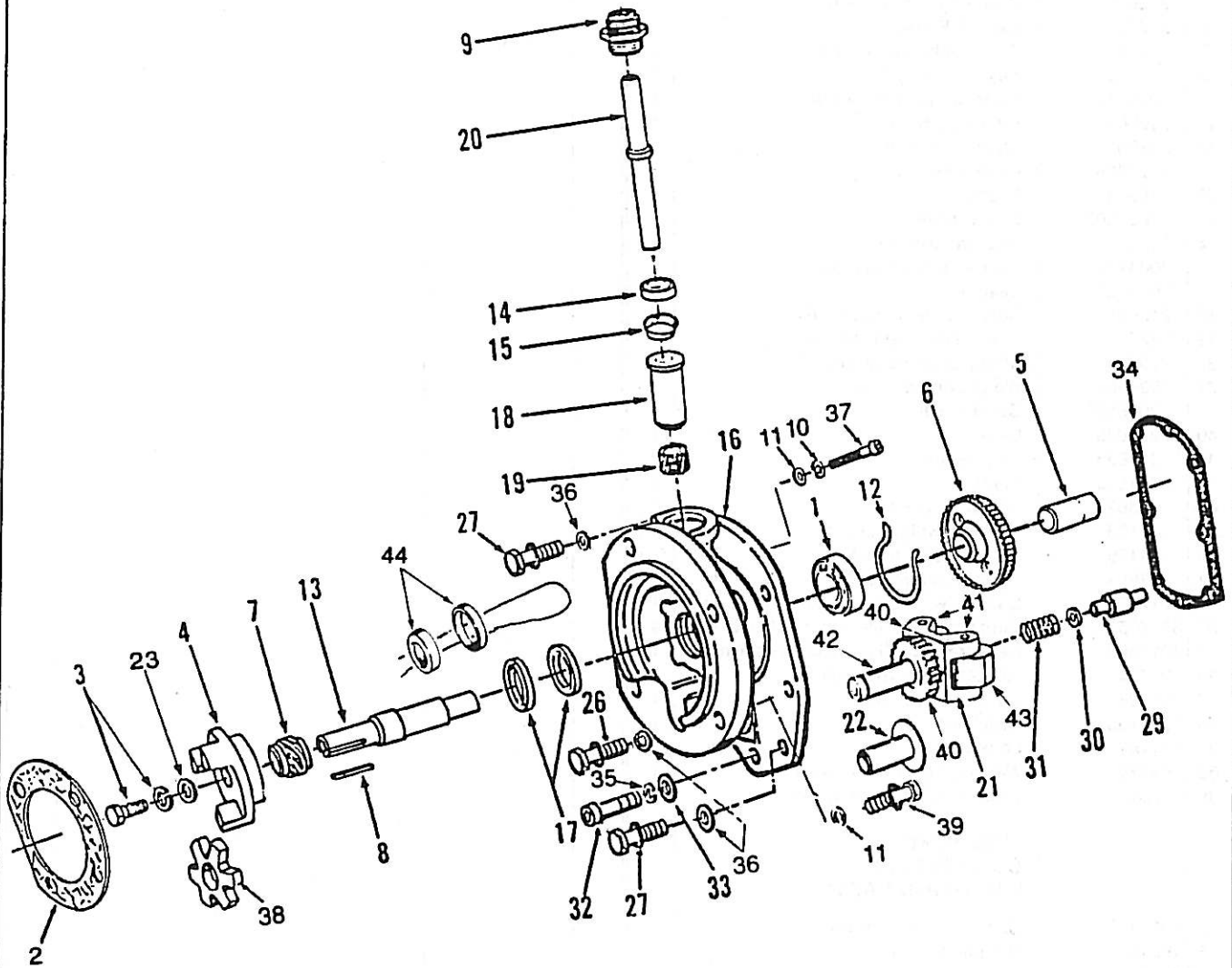
PARTS INDENTED ARE INCLUDED IN THE PART UNDER WHICH THEY ARE INDENTED



FUEL PUMP HOUSING
With AFC Plugged

REF NO.	PART NUMBER	PART NAME	NO. REQ'D.	REF NO.	PART NUMBER	PART NAME	NO. REQ'D.
		FUEL PUMP					
	3028791-3892	Fuel pump complete assembly	1				
		FUEL PUMP HOUSING					
	3010043	Housing (R.H.)	1				
	3010042	Housing	1				
1	214139	Ball, plug AFC	2				
2	163733	Clip, governor barrel	1				
3	217798	Housing, spring pack	1				
	209760	Sleeve, throttle shaft	1				
4	AR-41020	Barrel, governor	1				
	(217805)	Barrel, governor auto	1				
	(3006773)	Sleeve, governor barrel	1				
5	3013691	Housing, fuel pump (217795)	1				
6	100193	Bushing, tachometer drive	1				
7	118227	Dowel	2				
	3010810	Plunger, governor	1				
8	70690	Driver, governor plunger	1				
10	3009380	Plunger, governor	1				
11	144302	Spacer, governor	1				
12	101841	Shim, by-pass valve (.005)	A/R				
12	101842	Shim, by-pass valve (.010)	A/R				
12	101843	Shim, by-pass valve (.020)	A/R				
13	3027633	Washer	1				
	AR-41010	Shaft, throttle	1				
14	100478	O-ring	1				
15	213768	O-ring	1				
16	3006175	Screw, fuel adjusting	1				
17	3006430	Shaft, throttle	1				
	3006350	Shaft	1				
	3006343	Stop	1				
	3006344	Screw, set	2				
18	213769	Ball, tamperproof	1				
19	70772-A	Capscrew	3				
20	3004904	Cover, fuel control	1				
21	3000446	Cover, throttle shaft	1				
44	3028064	Gasket, cover	1				
22	S-600	Lockwasher	3				
23	S-251	Nut	2				
24	145505	O-ring, barrel	1				
25	70775	O-ring, barrel	1				
26	68061-A	O-ring, valve plug	1				
27	105375	Plate, name	1				
28	3000438	Plug, barrel	1				
29	3018655	Spring, plug	1				
30	112076	Plug	1				
31	3025460	Plug	3				
32	3004293	Plug, valve	1				
33	163945	Ring, retaining	1				
34	S-16240	Ring, snap	1				
35	S-2286	Screw	4				
36	109918	Screw, stop adjusting	1				
37	195755	Screw, stop adjusting	1				
38	138795	Spring, torque	1				
39	S-631	Washer, plain	3				
40	146483	Assembly, fuel filter screen	1				
41	157088	Cap, filter screen	1				
42	154088	Ring, cap seal	1				
43	70700	Spring, filter	1				

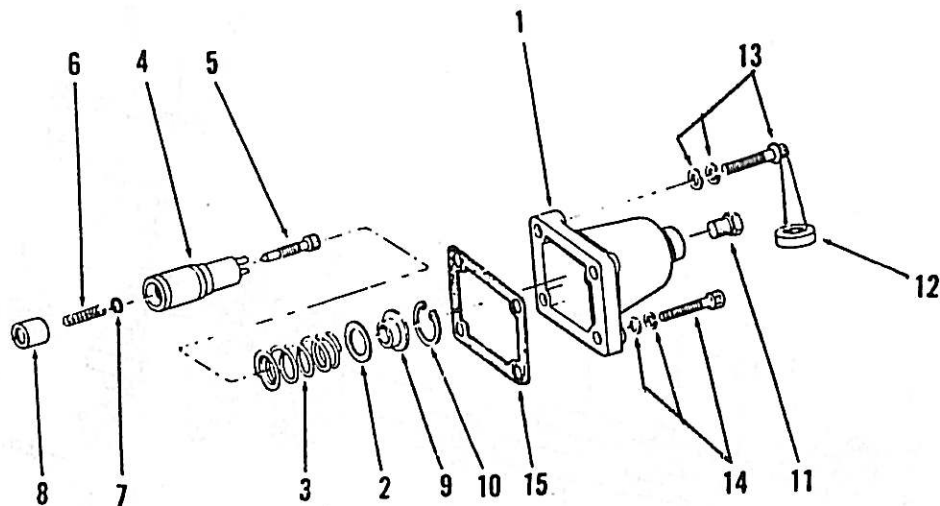
PARTS INDENTED ARE INCLUDED IN THE PART UNDER WHICH THEY ARE INDENTED



MAINSHAFT COVER AND GOVERNOR

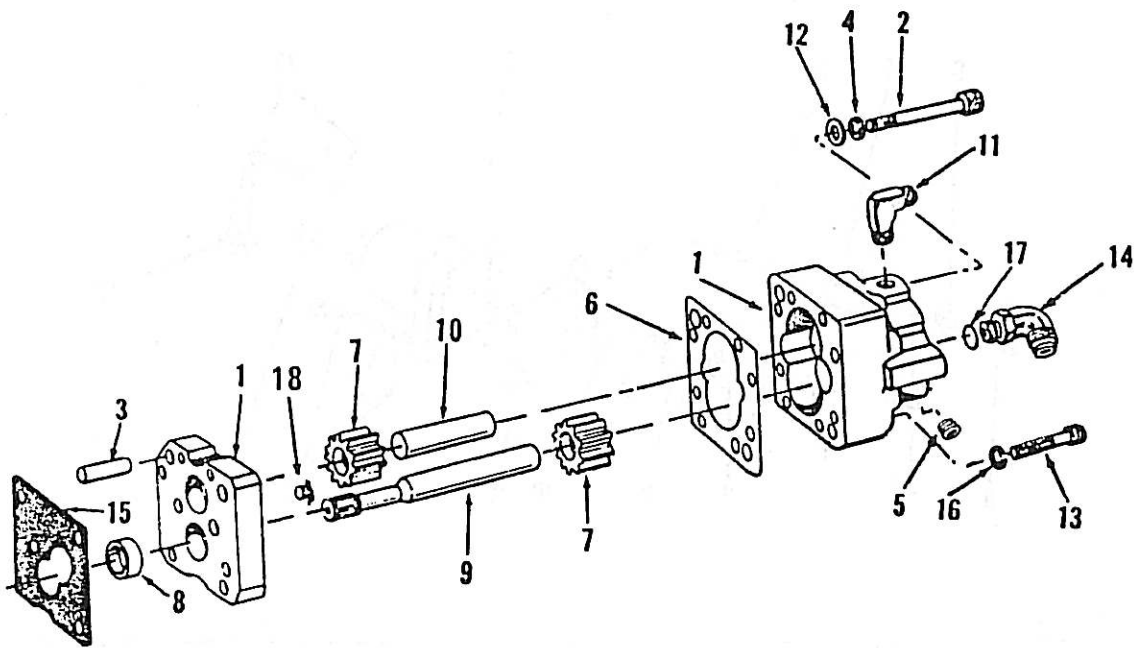
REF. NO.	PART NUMBER	PART NAME	NO. REQ'D.	REF. NO.	PART NUMBER	PART NAME	NO. REQ'D.
		MAINSHAFT COVER AND GOVERNOR					
	3030269	Mainshaft, cover and governor	1				
1	S-16052	Bearing	1				
3	3022589	Capscrew, captive	1				
4	212613	Coupling, F.P. drive	1				
5	212639	Coupling, F.P. drive half	1				
6	212605	Gear, F.P. drive	1				
7	212602	Gear, tachometer drive	1				
8	212668	Key, coupling	1				
9	3002110	Housing, tachometer drive	1				
12	212604	Ring, retaining	1				
13	212601	Shaft, F.P. drive	1				
	3028368	Cover and bushing	1				
22	163944	Bushing	1				
16	3028302	Cover, front	1				
14	212603	Seal, tachometer	1				
15	3004724	Spacer, tachometer seal	1				
17	3019962	Seal, oil	2				
18	212609	Bushing, tachometer drive	1				
19	212610	Gear, tachometer (driven)	1				
20	216908	Shaft, tachometer drive	1				
21	3024989	Weight and carrier	1				
	3006550	Carrier, weight	1				
40	211636	Gear	1				
41	211635	Pin, weight	2				
42	211633	Shaft	1				
43	163826	Weight, governor	2				
29	144178	Plunger, weight assist	1				
30	144179	Shim, weight assist	A/R				
31	143854	Spring, weight assist	1				
26	3017052	Capscrew, captive cover to housing	1				
27	3017051	Capscrew, captive cover to housing	4				
28	3018682	Capscrew, captive cover to housing	1				
34	100764	Gasket, cover to housing	1				
32	118226	Screw, socket head	1				
44	3003156	Seal, lead	1				
35	181466	Lockwasher	1				
33	103089	Washer, cover to housing	1				
36	70704	Washer, cover to housing	6				
		FUEL PUMP TO COMPRESSOR MOUNTING PARTS					
37	206326	Capscrew, F.P. to drive	1				
38	162426	Coupling, spider	1				
2	3029087	Gasket, pump to drive	1				
10	S-610	Lockwasher	1				
11	69324	Washer	4				
39	3015282	Capscrew and washer	3				
23	146160	Washer, plain	1				

PARTS INDENTED ARE INCLUDED IN THE PART UNDER WHICH THEY ARE INDENTED



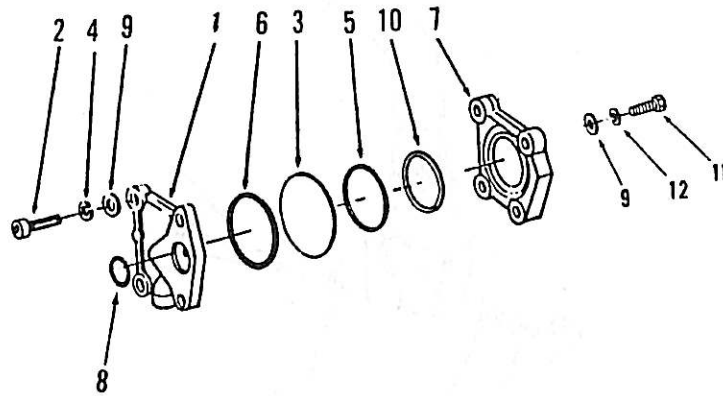
REF. NO.	PART NUMBER	PART NAME	NO. REQ'D.	REF. NO.	PART NUMBER	PART NAME	NO. REQ'D.
GOVERNOR SPRING PACK							
1	44678	Cover, spring pack	1				
2	70717	Shim	1				
2	70717-A	Shim	1				
2	70717-B	Shim	1				
2	189800	Shim	1				
3	153238	Spring, governor	1				
	BM-69889	Pack assembly, spring	1				
4	BM-67416	Guide and clip	1				
5	70716	Screw	1				
6	144195	Spring	1				
7	70715	Washer	1				
8	141632	Plunger, idle spring (27)	1				
9	70713	Retainer	1				
10	S-16240	Ring, snap	1				
11	3025459	Plug	1				
12	3003156	Seal, lead	1				
MOUNTING PARTS							
13	3017051	Capscrew and washers	2				
14	3017052	Capscrew and washers	2				
15	70705	Gasket	1				

PARTS INDENTED ARE INCLUDED IN THE PART UNDER WHICH THEY ARE INDENTED



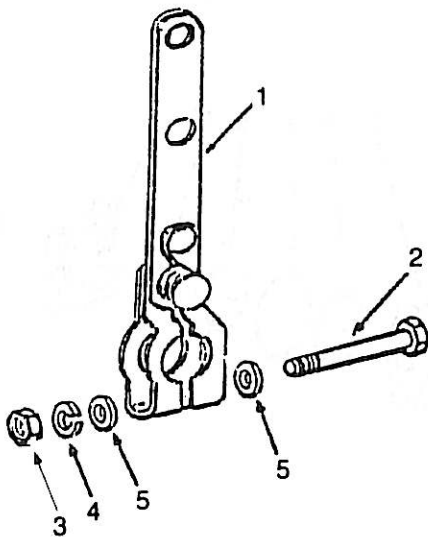
REF. NO.	PART NUMBER	PART NAME	NO. REQ'D.	REF. NO.	PART NUMBER	PART NAME	NO. REQ'D.
GEAR PUMP — FUEL							
1	3014935	Pump assembly, gear (R.H.)	1				
	3024521	Cover and housing assembly (3016680-175862)	1				
2	S-175-C	Capscrew, cover to housing	2				
3	64816-A	Dowel, cover to housing	2				
4	181466	Lockwasher, cover to housing	2				
5	3026624	Plug, pipe	1				
6	110855	Gasket, cover to housing	1				
7	167166	Gear, pump	2				
8	101468	Ring, dowel	1				
9	167169	Shaft, pump drive	1				
10	175866	Shaft, driven	1				
11	3027507	Valve, ball check	1				
12	70704	Washer, plain cover to housing	2				
18	201806	Valve, pressure	1				
MOUNTING PARTS							
13	S-175-C	Capscrew, gear pump housing	4				
14	203849	Connection, fuel inlet	1				
15	3026163	Gasket, gear pump	1				
16	181466	Lockwasher, gear pump to housing	4				
17	172049*	O-ring	1				
		*172049 O-ring is furnished with 203849 connection.					
		Note: This gear pump is also used on the VS fuel pump (S.O. 26033)					

PARTS INDENTED ARE INCLUDED IN THE PART UNDER WHICH THEY ARE INDENTED



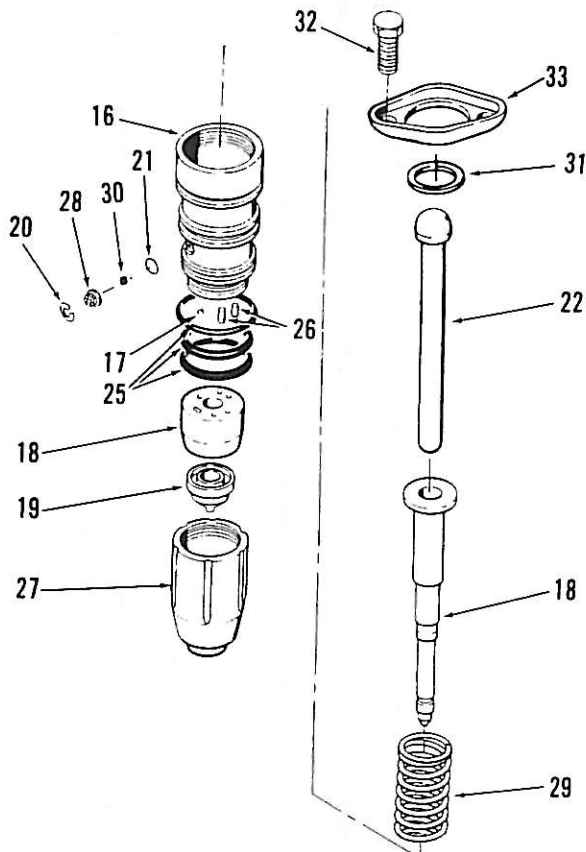
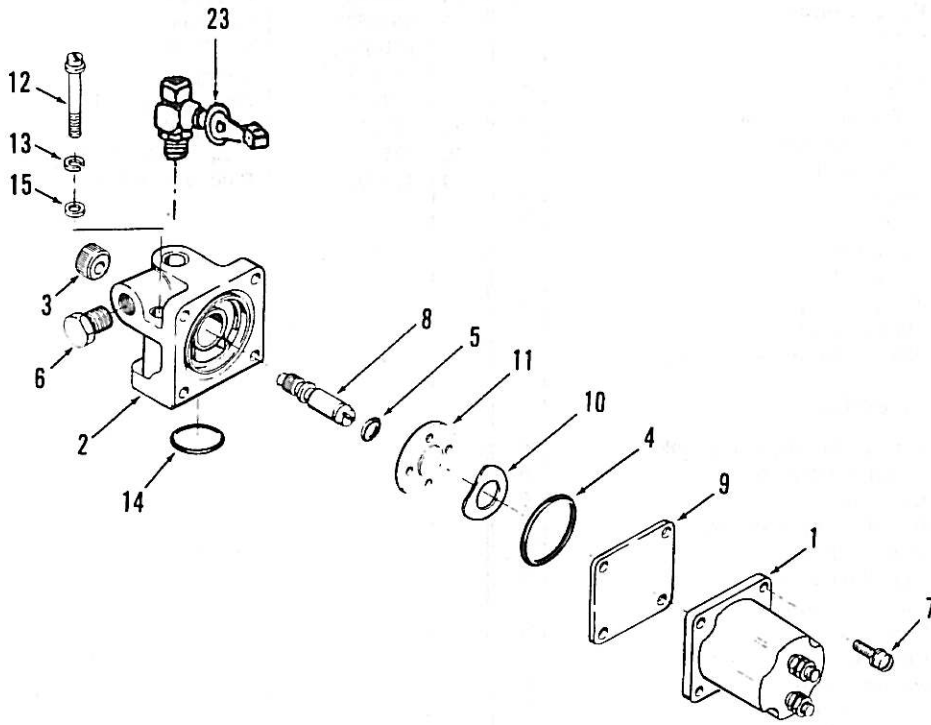
REF. NO.	PART NUMBER	PART NAME	NO. REQ'D.	REF. NO.	PART NUMBER	PART NAME	NO. REQ'D.
FUEL PUMP DAMPER							
	BM-76340	Damper, fuel pump	1				
1	153336	Body, damper	1				
2	S-105-C	Capscrew	2				
3	202897	Diaphragm	1				
4	S-600	Lockwasher	2				
5	139988	O-ring	1				
6	100099	O-ring	1				
7	153338	Plate, damper	1				
9	70704	Washer	2				
10	160514	Washer, nylon	1				
MOUNTING PARTS							
11	133538	Capscrew, socket head	2				
8	151900	Seal	1				
12	181466	Washer, lock	2				
9	70704	Washer, plain	2				
Note: This fuel pump damper is also used on the VS fuel pump (S.O. 26033).							

PARTS INDENTED ARE INCLUDED IN THE PART UNDER WHICH THEY ARE INDENTED



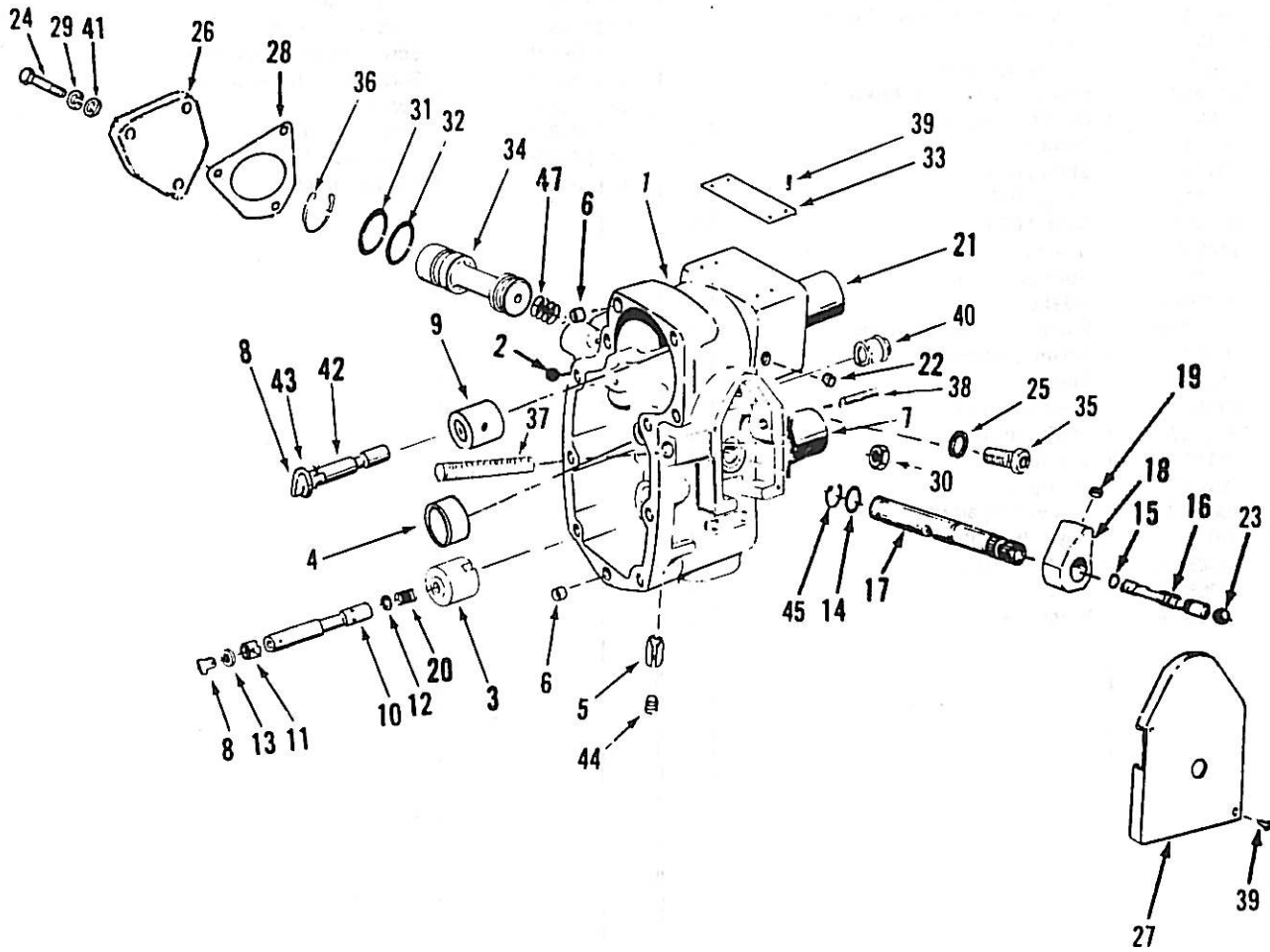
REF. NO.	PART NUMBER	PART NAME	NO. REQ'D.	REF. NO.	PART NUMBER	PART NAME	NO. REQ'D.
		THROTTLE LEVER					
1	3012497	Lever, throttle	1				
2	S-159-B	Capscrew	1				
3	S-251	Nut	1				
4	S-600	Washer, lock	1				
5	70704	Washer, plain	2				
		Note: This throttle lever is also used on VS fuel pump (S.O. 26033).					

PARTS INDENTED ARE INCLUDED IN THE PART UNDER WHICH THEY ARE INDENTED



REF. NO.	PART NUMBER	PART NAME	NO. REQ'D.	REF. NO.	PART NUMBER	PART NAME	NO. REQ'D.
		SHUTDOWN VALVE			AR-51522	Kit, injector repair	
	AR-05535	Valve, assembly, shutdown (24 volt)	1	17	167157	Ball, check	1
1	134074	Coil assembly	1	21	173086	Gasket, orifice plug	1
2	129826	Housing, valve	1	28	3008706	Screen	1
3	129838	Knob, override	1	20	174299	Clip, screen	1
5	190876	O-ring	1	19	3012537	Cup, injector	1
4	129888	O-ring	1		AR-51483	Kit, O-ring	1
6	3025458	Plug, pipe	1	25	193736	O-ring	3
7	187556	Screw, fillister head	4	30	177285	Plug, orifice (.017)	1
8	3000266	Shaft, override	1	30	177286	Plug, orifice (.018)	1
9	129839	Shield, fuel	1	30	177287	Plug, orifice (.019) (Std.)	1
10	129768	Spring	1	30	177288	Plug, orifice (.020)	1
11	3030970	Valve	1				
12	S-189-C	Capscrew	2				
13	181466	Lockwasher	2				
14	154087	Ring, sealing	1				
15	67684	Washer, plain	2				
23	208087	Valve, positive shutdown	1				
		INJECTOR					
	3018835	Injector assembly (less link)	6				
16	185139	Adapter, top stop	6				
17	167157	Ball, check	6				
18	3018324	Barrel, plunger and coupling	6				
19	3012537	Cup, injector	6				
20	174299	Clip, filter screen	6				
21	173086	Gasket, orifice	6				
25	193736	O-ring	18				
26	203426	Pin, spiral	12				
27	185138	Retainer, cup	6				
28	3008706	Screen, filter	6				
29	166009	Spring, injector	6				
31	180626	Washer, clamp	6				
		INJECTOR MOUNTING					
22	191916	Link	6				
33	3031137	Clamp	6				
32	3028279	Capscrew, self locking	12				

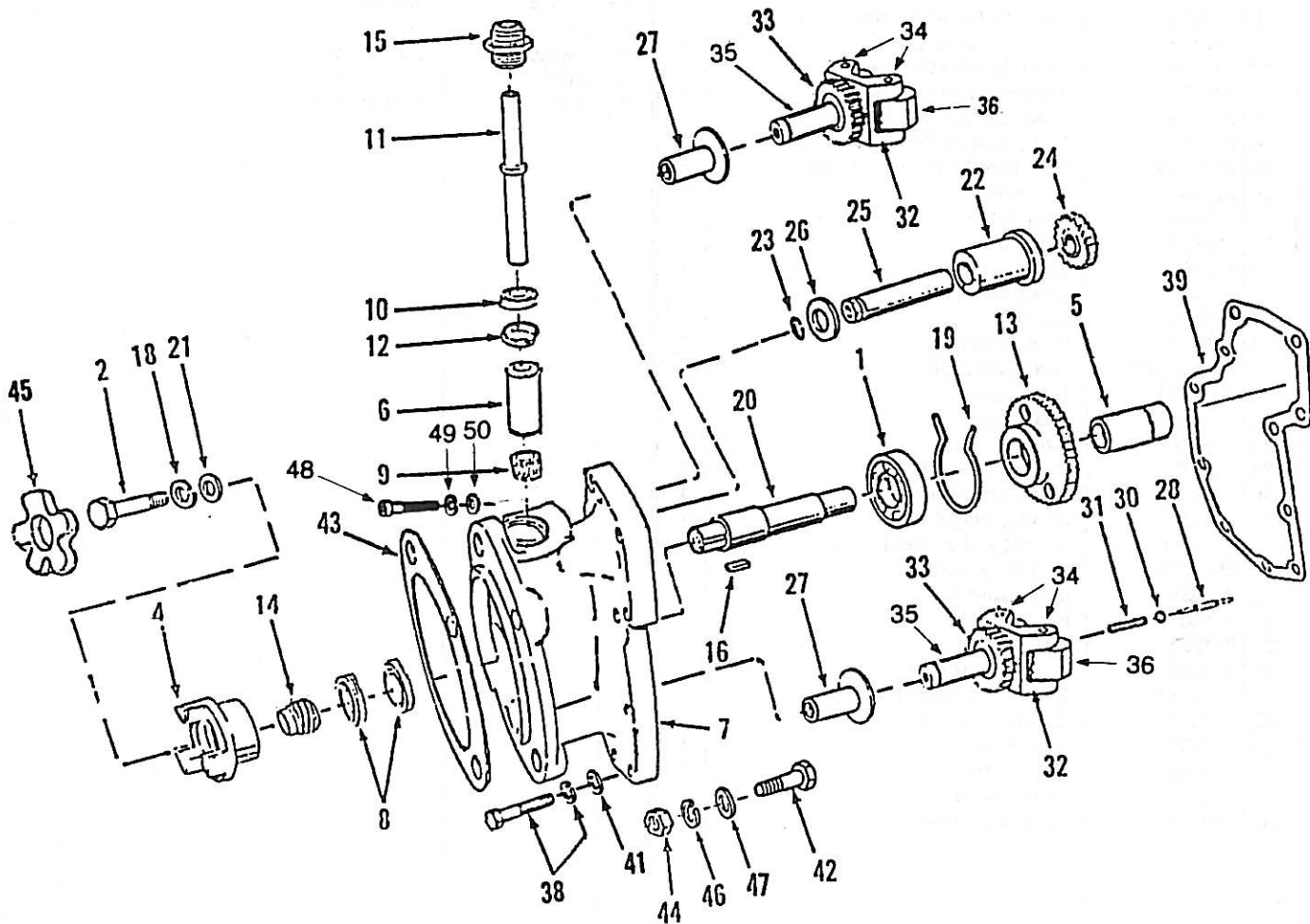
PARTS INDENTED ARE INCLUDED IN THE PART UNDER WHICH THEY ARE INDENTED



FUEL PUMP HOUSING

REF. NO.	PART NUMBER	PART NAME	NO. REQ'D.	REF. NO.	PART NUMBER	PART NAME	NO. REQ'D.
		VS FUEL PUMP ASSEMBLY				AFC VALVE PLUGGED	
	3028790-9093	Fuel pump assembly	1	23	213769	Ball, tamper proof	1
		VS FUEL PUMP HOUSING		24	70772-A	Capscrew	3
	3021956	Housing, fuel pump (R.H.)	1	26	3004904	Cover, AFC plug	1
1	3013692	Housing, fuel pump (217797)	1	27	3000446	Cover, throttle shaft	1
2	214139	Ball	3	28	3028064	Gasket, cover	1
9	218548	Barrel, governor (upper) (212147, 212148)	1	29	S-600	Lockwasher	3
		Barrel, governor (lower)	1	30	S-251	Nut	2
3	3011056	Bushing, tachometer drive	1	31	145505	O-ring, plug	2
4	100193	Clip, governor barrel	1	32	70775	O-ring, AFC plug	1
5	163733	Dowel, ring	2	33	105375	Plate, name	1
6	118227	Housing, spring pack (lower)	1	34	3000438	Plug, barrel AFC	1
7	202682	Housing, spring pack (upper)	1	44	200635	Plug, pipe	1
21	108384	Seal	1	35	3004293	Plug, needle valve	1
25	70815	Screw, upper set	1	45	163945	Ring, retaining	1
22	3000594	Plunger, governor (lower)	1	36	S-16240	Ring, plug snap	1
	3010810	Driver, plunger	1	37	109918	Screw, throttle stop (front)	1
8	70690	Plunger	1	38	195755	Screw, throttle stop (rear)	1
10	3009380	Shim (.005)	A/R	39	S-2286	Screw	6
12	101841	Shim (.010)	A/R	47	3018655	Spring, plug	1
12	101842	Shim (.020)	A/R	40	201806	Valve, dual ball	1
11	144302	Spacer	1	41	70704	Washer, plain	3
20	138798	Spring, torque	1				
13	3027633	Washer	1				
	AR-40230	Plunger, governor (upper)	1				
8	70690	Driver, plunger	1				
42	212350	Plunger	1				
43	101921	Washer, thrust	1				
	AR-41010	Shaft, throttle	1				
14	100478	O-ring	1				
15	213768	O-ring	1				
16	3006175	Screw, fuel adjusting	1				
	3006430	Shaft, throttle	1				
17	3006350	Shaft, throttle	1				
18	3006343	Stop	1				
19	3006344	Screw, set	1				

PARTS INDENTED ARE INCLUDED IN THE PART UNDER WHICH THEY ARE INDENTED

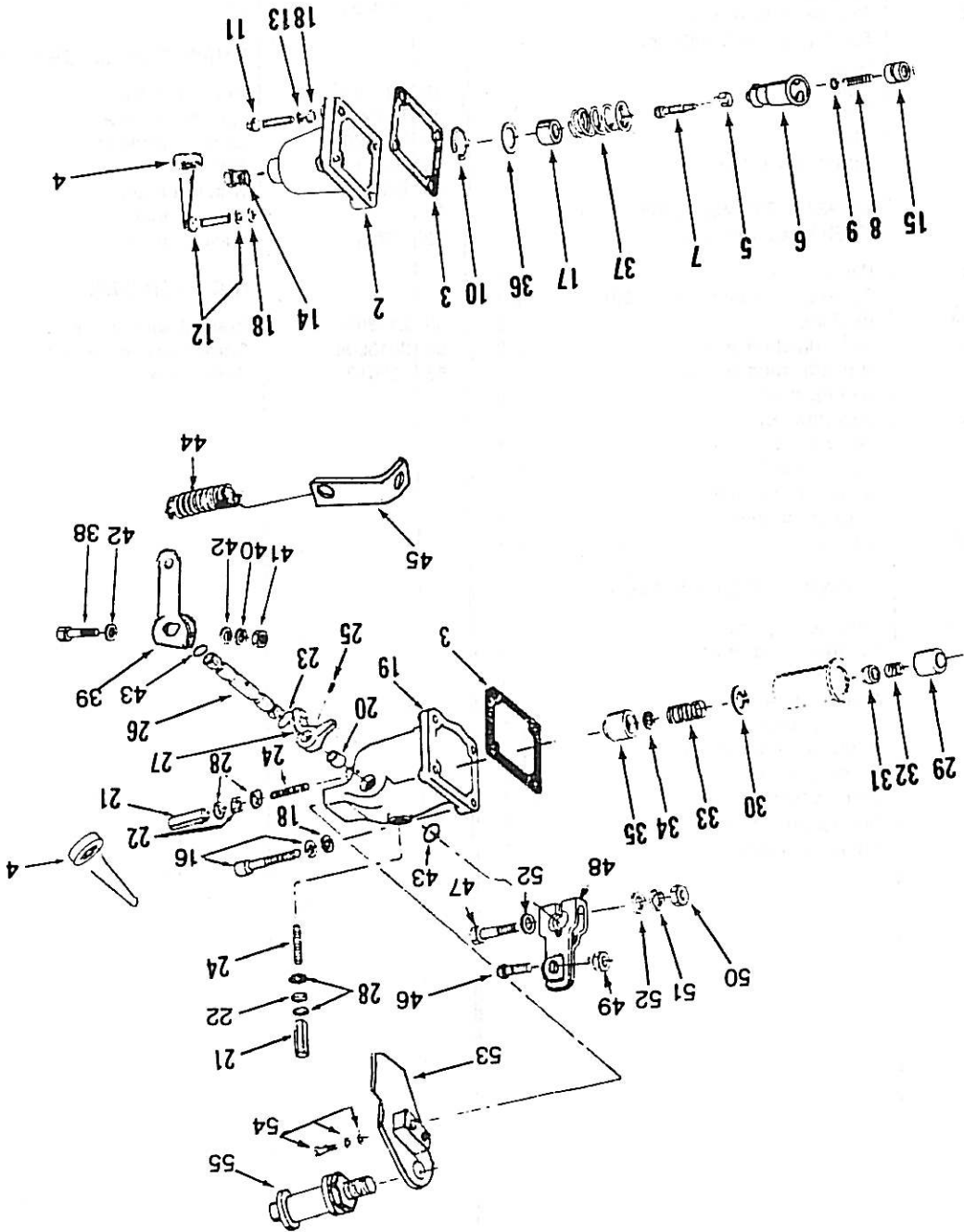


AFC-VS MAINSHAFT, COVER AND GOVERNOR

REF. NO.	PART NUMBER	PART NAME	NO. REQ'D.	REF. NO.	PART NUMBER	PART NAME	NO. REQ'D.
		AFC-VS MAINSHAFT, COVER AND GOVERNOR				MOUNTING PARTS	
	3030276	Mainshaft, cover and governor	1	38	3017051	Capscrew, cover to housing	8
1	S-16052	Bearing, ball	1	48	118226	Capscrew, cover to housing	2
6	212609	Bushing, tachometer drive	1	39	200998	Gasket, cover to housing	1
2	3022589	Capscrew and washer	1	49	S-606	Washer, lock	2
4	212613	Coupling, fuel pump drive	1	41	70704	Washer, plain	8
5	212639	Coupling, fuel pump drive	1	50	103089	Washer, plain	2
	3028370	Cover and bushing	1			FUEL PUMP TO COMPRESS MOUNTING PARTS	
27	163944	Bushing, carrier shaft	2				
7	3023451	Cover	1	42	S-140	Capscrew	4
8	3019962	Seal, oil	2	43	3029087	Gasket	1
9	212610	Gear, tachometer driven	1	44	S-274	Nut	4
10	212603	Seal, tachometer	1	45	162426	Spider, coupling	1
11	216908	Shaft, tachometer drive	1	46	S-610	Washer, lock	4
12	3004724	Spacer, tachometer seal	1	47	S-622	Washer, plain	4
13	212605	Gear, fuel pump drive	1				
14	212602	Gear, tachometer drive	1				
15	3002110	Connector, tachometer drive	1				
16	212668	Key, drive	1				
19	212604	Ring, retaining	1				
20	212601	Shaft, drive	1				
21	146160	Washer, plain	1				
	AR-40147	Shaft, idler gear	1				
22	201010	Bushing	1				
23	135169	Ring, retaining	1				
	AR-74273	Shaft and gear	1				
24	113244	Gear, idler	1				
25	201008	Shaft, idler	1				
26	201745	Washer	1				
28	144178	Plunger, weight assist	1				
30	144179	Shim, weight assist	3				
31	143854	Spring, weight assist	1				
	3024989	Weight and carrier (lower)	1				
32	3006550	Carrier, governor	1				
33	211636	Gear, governor	1				
34	211635	Pin, weight	2				
35	211633	Shaft, carrier	1				
36	163826	Weight, governor	2				
	3024989	Carrier assembly (upper)	1				
32	3006550	Carrier, governor	1				
33	211636	Gear, governor	1				
34	211635	Pin, weight	2				
35	211633	Shaft, carrier	1				
36	163826	Weight, governor	2				

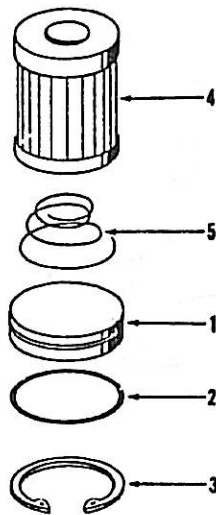
PARTS INDENTED ARE INCLUDED IN THE PART UNDER WHICH THEY ARE INDENTED

VS SPRING PACKS



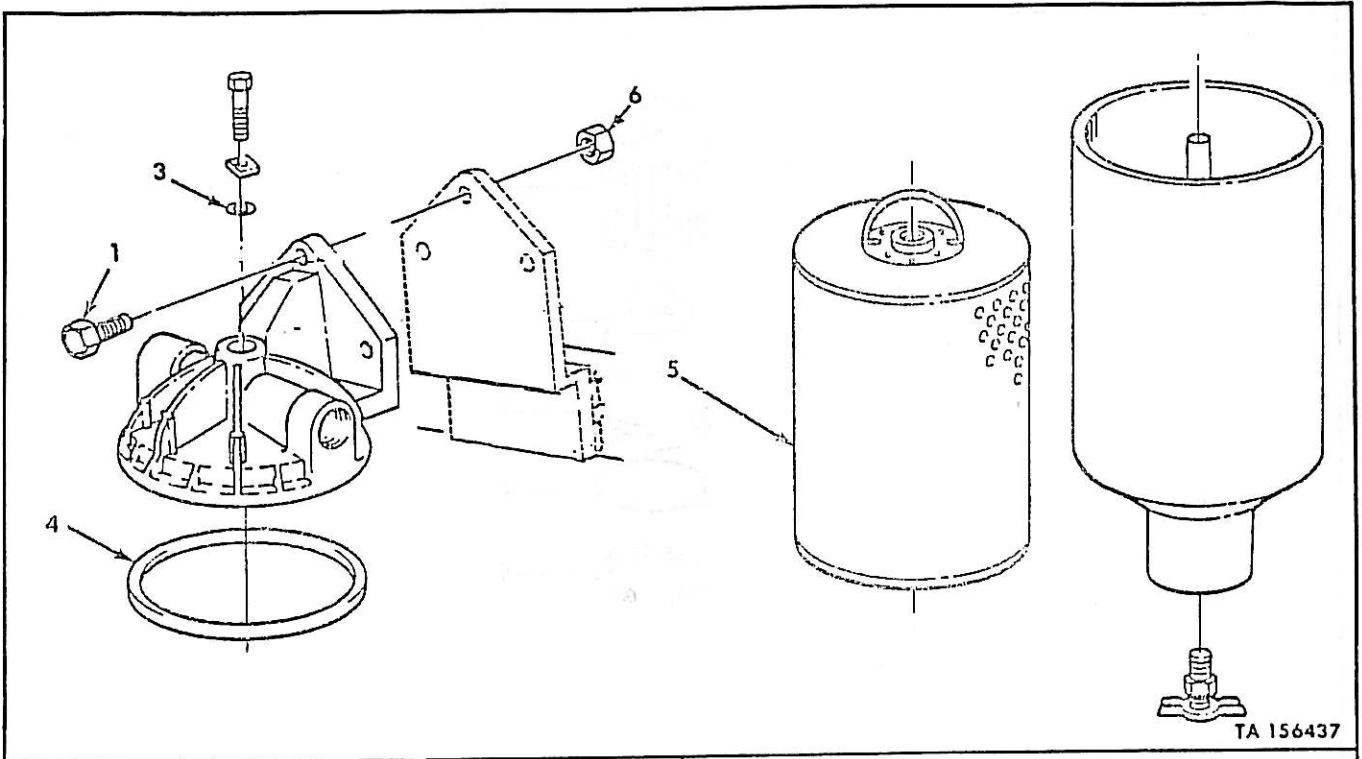
REF. NO.	PART NUMBER	PART NAME	NO. REQ'D.	REF. NO.	PART NUMBER	PART NAME	NO. REQ'D.
		LOWER SPRING PACK				MOUNTING PARTS	
2	44678	Cover, spring pack	1	11	S-170-C	Capscrew	3
4	3003156	Lockwire, seal	2	3	70705	Gasket	2
	AR-40138	Pack, idle spring	1	13	S-600	Lockwasher	3
	AR-40153	Guide and clip	1	18	70704	Washer	8
5	204120	Clip	1				
6	202681	Guide	1				
7	70716	Screw	1			THROTTLE LEVER (OUTSIDE)	
8	144195	Spring	1	38	S-159-B	Capscrew	1
9	70715	Washer	1	39	138629	Lever, throttle	1
10	S-16240	Ring, snap	1	40	S-600	Lockwasher	1
16	3017051	Capscrew and washer	3	41	S-251	Nut	1
12	3017052	Capscrew and washer	2	42	70704	Washer, lever	2
14	3025459	Plug, cover	1	44	203762	Spring, throttle return	1
15	141632	Plunger, idle spring (No. 27)	1	45	3005543	Link, spring	1
17	203346	Spacer, governor idle spring	1				
36	70717	Shim	1			THROTTLE LEVER (INSIDE,	
36	70717-A	Shim	1	46	187127	Bolt, carriage	1
36	70717-B	Shim	1	47	S-159-B	Capscrew, lever	1
36	189800	Shim	1	48	187126	Lever, throttle shaft	1
37	3001155	Spring, governor	1	49	S-223	Nut, bolt	1
		UPPER SPRING PACK		50	S-251	Nut, lever capscrew	1
		VARIABLE SPEED		51	S-600	Washer, lock	1
	3020523	Pack, spring	1	52	70704	Washer, plain	2
19	3016021	Cover and bushing (3015253)	1			AIR CYLINDER	
20	3010941	Bushing	2	53	211305	Bracket, air cylinder	1
21	110058	Nut, adjusting screw	2	54	3013904	Capscrew and washer	2
22	S-251	Nut, adjusting screw	2	55	185012	Cylinder, air	1
23	70415	O-ring, shaft	2				
24	109917	Setscrew, idling	2				
25	70813	Setscrew, throttle lever	1				
26	3010942	Shaft, throttle	1				
27	70834	Stop, throttle shaft	1				
28	112408	Washer, copper	4				
43	3010945	Seal, dust	2				
		UPPER IDLE SPRING PACK					
	BM-30245	Pack, idle spring	1				
29	70820	Plunger idle spring	1				
30	70823	Ring, snap	1				
31	70798	Seat, plunger	1				
32	70778	Spring, idling	1				
34	70811	Shim, governor spring	1				
34	70811-A	Shim, governor spring	1				
34	70811-B	Shim, governor spring	1				
33	109687	Spring, governor maximum	1				
35	70836	Plunger, throttle	1				

PARTS INDENTED ARE INCLUDED IN THE PART UNDER WHICH THEY ARE INDENTED



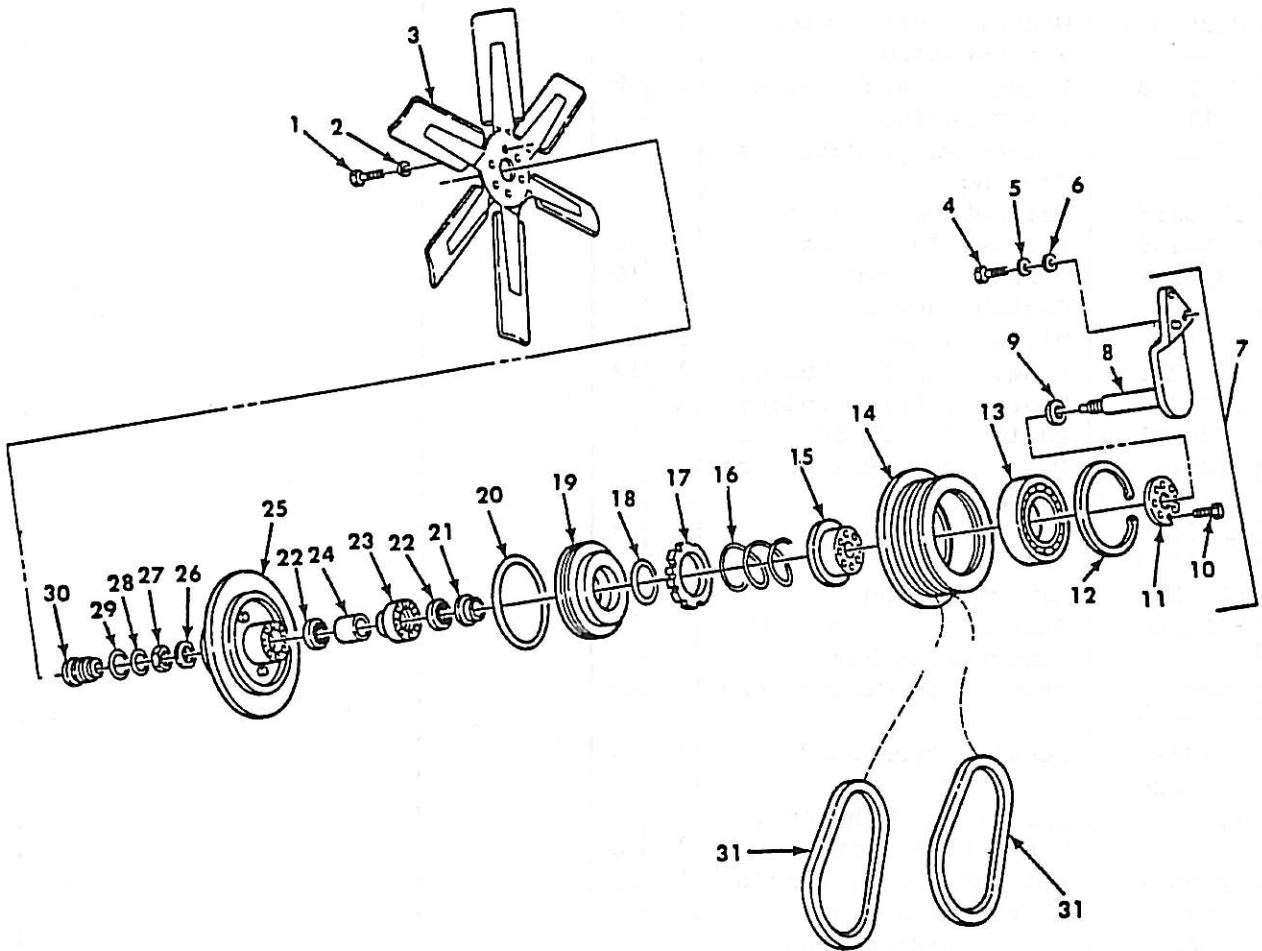
REF. NO.	PART NUMBER	PART NAME	NO. REQ'D.	REF. NO.	PART NUMBER	PART NAME	NO. REQ'D.
		FUEL PUMP FILTER					
1	201007	Cap, filter screen	1				
2	145504	O-ring, cap	1				
3	128807	Ring, snap	1				
4	146483	Screen, filter	1				
5	70700	Spring, filter	1				

PARTS INDENTED ARE INCLUDED IN THE PART UNDER WHICH THEY ARE INDENTED



PART NUMBER	PART NAME	NO. REQ'D.	REF. NO.	PART NUMBER	PART NAME	NO. REQ'D.	REF. NO.
	FUEL FILTER AND WATER SEPARATOR						
MS90726-63	Screw Cap	3	1				
11664680	Separator, Water, Liq. Fuel Filter	1					
MA236-21019	Packing, Preformed	1	3				
5730249	Gasket	1	4				
11664680-1	Filter Element Fuel Filter	1	5				
MS51922-21	Nut, Self Locking	3	6				
11664669	Parts, Kit, Fluid Pre Packing Preformed Gasket Element Assembly	1					
		1					
		1					
		1					
		1					
NOTE: The above parts may be procured from:							
A. M. General Corporation 701 W. Chippewa Avenue South Bend, IN 46680							

PARTS INDENTED ARE INCLUDED IN THE PART UNDER WHICH THEY ARE INDENTED



TA 156455

Clutch Fan Assembly, Belts, and Mounting Hardware.

Part Number	Part Name	No. Req.	Ref. No.	Part Number	Part Name	No. Req.	Ref. No.
	FAN HUB AND FAN				A. M. General Corporation		
MS90725-6	Screw, Cap	6	1		701 W. Chippewa Avenue		
MS35338-46	Washer, Lock Eng. Fan	6	2		South Bend, IN 46680		
11669185	Impeller, Fan, Axial Right Hand Sucker	1	3				
MS90726-114	Screw, Cap, Hex Head Clutch Fan Mounting	3	4				
MS35338-48	Washer, Lock Clutch Fan Mounting	3	5				
MS2718317	Washer, Plain Clutch Fan Mounting	3	6				
5730254	Pulley Assy. Bel. Eng Cooling	1	7				
5730255	Bracket Fan Clutch	1	8				
5730256	Spacker Thrust Cap	1	9				
5730257	Screw, Cap Fan Clutch Assembly	8	10				
5730258	Plate Backup, Thr. Cap	1	11				
5730259	Ring, Snap Dr. Pulley	1	12				
5730260	Bearing, Drive Pulley	1	13				
5730261	Pulley Fan Clutch Dr.	1	14				
5730262	Cap, Thrust Fan Clutch Assembly	1	15				
MA292-21049	Spring Return	1	16				
5730263	Clutch Facing	1	17				
5730264	Packing, Preformed Fan Clutch Assembly	1	18				
MA207-22742	Piston Fan Clutch Assy.	1	19				
MA236-21026	Packing Preformed	1	20				
5730265	Spacer, Clutch Hsng. Fan Clutch Assy.	1	21				
MA268A-21047	Bearing, Ball, Annula Clutch Hsng. Assy.	2	22				
5730266	Spacer Clutch Hsng. Assembly	1	23				
5730267	Spacer Brng. Fan Clutch	1	24				
5730251	Clutch Hsng. Assy Fan Clutch Assembly	1	25				
MA284C-21004	Washer, Recessed Clutch Housing Assembly	1	26				
MA219D-21010	Nut, Lock Fan Cltch. Assembly	1	27				
5730252	O-ring Seal Plug	1	28				
5730253	O-ring Plug Assembly	1	29				
MA207-21532	Seal, Plug Assy. Fan Clutch Assembly	1	30				
NOTE:	The above parts may be procured from:						

PARTS INDENTED ARE INCLUDED IN THE PART UNDER WHICH THEY ARE INDENTED

INDEX

<u>Part No.</u>	<u>FSN</u>	<u>Page No.</u>	<u>Part No.</u>	<u>FSN</u>	<u>Page No.</u>
AR-02308		8	BM-95160	2815-404-2937	7
AR-04154	2530-134-4620	21	BM-95161		7
AR-06000		3	BM-95162		7
AR-04283		14	LF-516	2940-073-3316	9
AR-04284		14	MA-207-21532		43
AR-05535		33	MA-207-22742	2520-01-088-8172	43
AR-08566		2	MA-219D-21010		43
AR-10922		21	MA-236-21019	5330-248-3174	41
AR-11317		1	MA-236-21026	5330-01-079-6513	43
AR-12732		4	MA-268A-21047	3110-100-2368	43
AR-12952		7	MA-284C-21004	5330-01-079-7036	43
AR-13108		21	MA-292-21049		43
AR-40138		39	MS-27183-17		43
AR-40147		37	MS-35338-46	5310-637-9541	43
AR-40153		39	MS-35338-48		43
AR-40230		35	MS-51922-21	5310-959-1488	41
AR-41010		25, 35	MS-90275-6	5305-269-3215	43
AR-41020		25	MS-90726-63	5305-269-2806	41
AR-45724		21	MS-90726-114		43
AR-51234		13	VD-111854		15
AR-51264	2930-404-3053	15	S000105C	5305-012-1913	30
AR-51289		7	S000109	5305-851-5992	13
AR-51480	2940-404-3057	9	S000110		21
AR-51481	5330-133-6235	12	S000112	5305-269-3211	5, 11
AR-51482	5330-133-6236	8	S000112A	5305-577-5462	2
AR-51483		33	S000119	5306-225-9081	11
AR-51522		33	S000126		12
AR-73350		21	S000130 A		13
AR-74273		37	S000140		21, 37
AS-1602906MS		11	S000147B		11
AS-1603506MS		11	S000152		19
BM-27253	2815-339-5642	1	S000155A	5306-206-4336	21
BM-30245		39	S000159B		31, 39
BM-37633	2815-311-2509	8	S000169A		13
BM-37634	2815-505-5116	8	S-170C	5306-206-1369	39
BM-56657	2815-829-5150	5	S000175C	5305-797-2456	29
BM-57837		12	S000176	5305-795-9343	7, 16
BM-67416	2990-829-5498	28	S000188C		22
BM-69889	2910-803-2631	28	S000189C		33
BM-76340		30	S000199A		13
BM-77450	2815-603-1510	21	S000212	5310-012-1965	7
BM-94080		13	S000217		21
BM-94081		13	S000223	5310-521-8595	11, 39
BM-94082		13	S000251	5310-011-4492	21, 31, 39
BM-95159	2815-404-2938	7	S000274		37

INDEX

<u>Part No.</u>	<u>FSN</u>	<u>Page No.</u>	<u>Part No.</u>	<u>FSN</u>	<u>Page No.</u>
S-285		16	9300-1	5315-276-4438	2
S-600	5310-562-6552	21, 25, 30, 31, 35, 39	9333-1	2815-729-4427	23
S-602	5310-562-6553	5, 11, 22	20622	2910-338-6839	11
S-604	5310-261-7340	5, 11, 12, 13, 16, 22	43828-A	4730-277-5822	21
S-605	5310-407-9566	11, 13, 21	44035	2815-375-9892	8
S-606		37	44678	2910-858-3522	28, 39
S-608	5310-584-5272	2, 7, 16	60408	5315-238-0882	1, 5
S-610	5310-010-3322	11, 13, 21, 37	60575	2815-428-6201	2
S-622	5310-562-6557	11, 19, 37	61554	2930-918-9634	21
S-626	5310-562-6558	11, 21, 22	64816-A	5315-014-1244	29
S-631	5310-562-6560	21, 22, 25	65274	2815-246-0309	11
S-670		16	66292		1
S-716	5340-050-1600	1	67211	5315-276-6508	1
S-719	5340-276-5847	1	67270	2815-171-3879	5
S-908	4730-042-6318	17	67622		13
S-910B	4730-142-1851	11, 18	67684	5310-262-2906	33
S-911B	4730-018-9566	1, 5, 6, 14, 21	67944	4730-097-4236	11
S-915-A	4730-406-6713	11	67946	5340-197-9327	11, 18
S-920		21	68061-A	5330-970-3461	25
S-939B	4730-365-6372	11	68152		21
S-962-E	4820-276-9039	17	68192-A	2815-378-2885	5
S-965-E	4730-404-2934	21	68192-B	2815-378-2886	5
S-966E	4730-404-2935	1	68192-C	2815-378-2887	5
S-987	4730-193-7080	11	68193	4730-404-2944	4
S-1002A	4730-365-2690	21	68210	2930-328-8656	12
S-1005A	4730-374-4282	21	68226-1	2815-882-7960	5
S-1074	4730-203-3480	11	68274	2815-664-5343	13
S-1075		11	68445	5315-281-7610	1
S-1076		11	68513	5315-041-0916	8
S-1077		11	68585	5315-014-1195	1
S-1090		21	68586	2815-661-6646	13
S-1354	5305-804-6454	11	68588	2815-353-9384	13
S-2286	5305-804-6318	1, 21, 25, 35	68589		13
S-2902	2815-362-1548	7	69324		27
S-16052		27, 37	69519	5315-475-2574	13
S-16240	5340-507-3217	25, 28, 35, 39	69699	2815-962-5610	1, 6
S-16255	2815-815-0355	14	69736	5305-339-1415	8
7348-2	2815-362-1780	8	69901	4730-019-4226	1, 9
8365	5310-246-0221	9	69952		16
9226	5315-014-1284	1, 23	69960	5305-795-9341	13
9235-1	5306-041-0917	4	69962	4730-695-1247	11
9260-1	2815-311-2521	8	70089-1	5330-537-2382	1
9266		8	70441	2930-508-0411	15
9266-A	2815-349-1219	8	70550		3, 21
			70624	5330-506-4874	17

INDEX

<u>Part No.</u>	<u>FSN</u>	<u>Page No.</u>	<u>Part No.</u>	<u>FSN</u>	<u>Page No.</u>
70653	2815-772-9434	1, 5	109319		13
70657		23	109557	5310-081-8501	21
70690	2990-772-1778	25, 35	109687		39
70700	2910-597-4570	25	109917		39
70704	5310-899-6747	27, 29, 30, 31, 35, 37, 39	109918	5305-550-4710	25, 35
70705	2910-562-1176	28, 39	110058	5310-710-4975	39
70713	5340-898-1497	28	110453	5330-143-8371	11
70715	5310-507-3259	28, 39	110827	2930-785-7894	12
70716	5306-506-5722	28, 39	110848	2930-701-2091	12
70717	5310-507-3260	28, 39	110855	2910-567-3463	29
70717-A	5340-507-3261	28, 39	112076	4730-044-4691	25
70717-B	5340-507-3262	28, 39	112302		14
70772	5305-794-7901	6	112408	5310-735-7460	39
70772-A	5305-290-2803	25, 35	112700		8
70775	5330-297-7275	25, 35	113244	2990-701-1112	37
70778		39	114421		11
70798	2815-572-8042	39	114638	2815-887-8325	19
70811	5310-550-8124	39	114850		21
70811-A	2990-550-8125	39	115519		14
70811-B	2990-550-8127	39	116391		21
70813	5305-899-8054	39	117267		16
70815		35	118226		27, 37
70820	2990-567-4367	39	118227	5315-844-0140	25, 35
70823	5340-598-1070	39	118377	2815-791-1440	8
70834	2910-773-2108	39	118378		8
70836	2910-711-5372	39	118939	5315-777-3544	8
100099	5330-809-2667	30	119810	2530-903-7174	21
100193	2910-810-6032	25, 35	119859	5340-922-9101	21
100478	5330-081-9289	25, 35	120543		8
100764	2990-506-4866	27	120819	2815-777-3545	8
101468	5315-719-5719	29	121933		21
101662	2815-327-6439	13	123558	2815-920-2102	6
101841	5340-507-3224	25, 35	126304		13
101842	5340-507-3225	25, 35	127316		23
101843	5340-543-3744	35	127459		1
103089		27, 37	127554	2815-994-4434	6
105199	2815-829-5227	19	127558	2815-791-1453	13
105375	2910-733-7622	25, 35	127863		12
105831	5305-021-5524	16	127930	2815-085-7434	6
106549	5305-795-8947	16	127936	5330-941-3762	21
107738	2815-505-5119	8	127940	3805-445-0610	21
108330		21	128080	5360-895-3216	21
108384	2910-734-3453	35	128085	5330-905-2679	21
108392		18	128086	3805-441-0145	21
109072	2815-590-7387	4	129768	5310-082-1888	33

INDEX

<u>Part No.</u>	<u>FSN</u>	<u>Page No.</u>	<u>Part No.</u>	<u>FSN</u>	<u>Page No.</u>
129826	2990-827-5600	33	144195	5340-082-0124	28, 39
129838	5355-083-1189	33	144302	2910-829-5604	25, 35
129839	2910-084-7787	33	144714	2530-909-4174	21
129888	5330-081-9299	33	144948	3805-955-5320	21
130226	5330-106-6370	16	145028	2530-909-4175	21
130227	2930-408-9404	16	145505		25, 35
130240		16	145701	2815-962-5623	6
130394	4730-404-2906	17	146160		27, 37
131026		6	146483	2910-790-8736	25
131622		16	147100	2910-928-3505	6
132019	2930-799-0843	1	147389	5305-062-4378	6
132770	2815-877-2213	5	147588		16
133538		30	147610		21
133848		13	147670	2815-994-4427	3
134074	2910-085-7436	33	148203	5330-143-8369	17
134285		13	151623		4
134596		13	151900	5330-080-0483	30
135169		37	151911	2915-961-6314	13
135308		6	151917		13
135957	2815-739-6098	6	153238		28
136403		21	153336	2910-829-5616	30
137075		4	153338	2910-829-5617	30
137796		22	153513		9
138042		23	153516		9
138608		18	153518		9
138609		18	153519		9
138629		39	153520		9
138795		25	153521		9
138798		35	153526	2815-131-1700	13
138988	2815-033-9392	5	153528	5330-927-4373	9
139395		11	153964		21
139761		21	153966		21
139988	5330-809-3276	30	154018	2530-852-7347	21
140218		1	154087	5330-951-3538	33
140297		7	154088	3805-961-9470	25
140330	2815-589-3537	7	154966		14
140410		2	154996		21
140411	2815-829-5238	2	157088	2910-507-3271	25
141632		28, 29	157551	5330-143-8376	11
142234		19	157870		1
142511	6620-042-4165	17	157911	2815-603-1514	21
143854		27, 37	158139		9
144178	5315-082-0448	27, 37	158145	2815-404-2947	11
144179		27, 37	158208	5310-480-2506	7
			160514	5330-965-0870	30

INDEX

<u>Part No.</u>	<u>FSN</u>	<u>Page No.</u>	<u>Part No.</u>	<u>FSN</u>	<u>Page No.</u>
161825		7	180175		23
162426		27, 37	180371		22
163733	2910-400-5178	25, 35	180372		22
163759		11	180626		33
163826		27, 37	180810		21
163944	2910-904-9595	27, 37	181213		22
163945		25, 35	181466		27, 29, 30, 33
164162		13	183049	5330-058-1767	1
164164		13	183429		21
165286		9	185012	2990-484-8540	39
165430		21	185138		33
166009	2815-132-0245	33	185139		33
166777		16	185574		5
167157		33	185804	5305-463-0428	11
167166		29	186286	2815-404-2949	2
167169		29	186780	5330-864-5422	15
168306		7	187126		39
168306		7	187127		39
168319	5305-297-4022	7	187350		21
168803		7	187420	2815-132-0273	3
168805		7	187556		33
169657	5305-795-9308	13	188040		21
169704		7	188042	3120-129-9206	21
169705		7	188044	3120-129-9210	21
170226	2815-404-2946	7	189800		28, 39
170296		6	190334	5340-129-9415	21
170664		21	190397		21
172034	2815-632-6239	6	190876	5330-132-0274	33
172049		29	191037		21
172648	2815-404-2920	23	191517		21
173086	5330-132-0247	33	191916	2910-238-5435	33
174299	2815-815-1137	33	191970	2815-480-4347	3
175755		3	193136		21
175831	5340-485-0945	8	193736	5330-132-0276	33
175862		29	194037	2815-404-2940	7
175866		29	194921	2815-404-2926	19
176025		21	194923	2815-404-2931	19
176027	5330-129-9389	21	195755		25, 35
177285		33	196282		21
177286		33	196844		14
177287		33	196845		14
177288		33	197093		13
177734	5305-795-9334	1, 6	198660		3
178869		6	199068	2815-404-2956	11
179688	2815-404-2975	11	199349		21

INDEX

<u>Part No.</u>	<u>FSN</u>	<u>Page No.</u>	<u>Part No.</u>	<u>FSN</u>	<u>Page No.</u>
199410		14	208346		1
200064		11	208460	2815-453-8984	2
200517		21	209726		22
200635		35	209760		25
200809	5330-026-2931	21	210650		8
200819	2940-400-5189	13	210879		19
200845		11	210884		1
200861	5310-134-4171	23	211253		4
200908	5305-005-0666	19	211255		5
200919	2815-132-3203	19	211305		39
200998		37	211315		21
201008		37	211622		21
201010		37	211633		27, 37
201745		37	211635		27, 37
201806		29, 35	211636		27, 37
202334	2930-404-3050	17	211999	5360-009-9270	6
202356		21	212147		35
202586	2815-404-2924	18	212148		35
202603	4710-425-5921	11	212350		35
202681		39	212601		27, 37
202682		35	212602		27, 37
202890	2815-404-2921	18	212603		27, 37
202891	2815-472-2626	2	212604		27, 37
202897	2910-951-3536	30	212605		27, 37
202903		1, 2	212609		27, 37
203131	5310-426-3990	6	212610		27, 37
203346		39	212613		27, 37
203426		33	212639		27, 37
203502		13	212668		27, 37
203762	5360-140-2078	39	212752		21
203849		22, 29	213109	5305-598-6468	7
204120		39	213394		6
204531	2815-138-8280	11	213395		6
204586		15	213559		8
204587		11	213740	2815-064-4398	1
204898		21	213768		25, 35
204904		21	213769		25, 35
204916		22	214139		25, 35
204917		22	214633		5
204966		11	214730		3
204993		11	214950		3
206326		27	214951		3
208045	2805-421-9524	7	214952		3
208069	5330-006-2529	5	214953		3
208087	4820-588-8604	33	215090	2815-064-4399	1

INDEX

<u>Part No.</u>	<u>FSN</u>	<u>Page No.</u>	<u>Part No.</u>	<u>FSN</u>	<u>Page No.</u>
215218		22	3006183		7
215375		5	3006343		25, 35
215457		21	3006344		25, 35
216165		4	3006350		25, 35
216524		6	3006358		7
216908		27, 37	3006430		25, 35
217381		23	3006456		6
217385		23	3006550		27, 37
217632		17	3006737	5330-005-0858	4
217795		25	3006773		25
217798		25	3006999		22
217805		25	3007148		23
218152		7	3007242		7
218153		7	3007279	2815-230-0070	23
218548		35	3007717		6
218732		3	3007759	5330-01-072-4436	6
218736		7	3007833		6
218793		21	3007835		6
219153		3	3008017		12
251152	2815-932-7452	13	3008047		1
257526		9			
650330		21	3008048		1
3000167		21	3008049		1
3000171		21	3008069		11
3000173		21	3008465		21, 23
3000174		21	3008466		1, 18
3000266		33	3008468		1, 12, 21
3000438		25, 35	3008469		1, 11, 12, 13, 2
3000446		25, 35	3008591		18
3000521		7	3008595		7
3000594		35	3008706		33
3000657		22	3008947		21
3001155		39	3008998		1
3002110		27, 37	3009380		25, 35
3002171		21	3010042		25
3003156	5330-01-072-8630	27, 28, 39	3010043		25
3004293		25, 35	3010589		7
3004724		27, 37	3010592		21
3004904		25, 35	3010593		8
3005136		21	3010594		4, 16
3005152		21	3010595		11
3005543		39	3010596		1, 12, 13, 17, 2
3005812		21	3010597		15
3006175	5305-01-072-8826	25, 35	3010810		25, 35
3006182		7	3010919		21
			3010941		39

INDEX

<u>Part No.</u>	<u>FSN</u>	<u>Page No.</u>	<u>Part No.</u>	<u>FSN</u>	<u>Page No.</u>
3010942		39	3017544		8
3010945		39	3017545		8
3011056		35	3017750		7
3011272		8	3017946		2
3011273		8	3018049		8
3011315		23	3018050		8
3011342		23	3018051		8
3011711		5	3018151		21
3011713		5	3018153		21
3011714		5	3018324		33
3011715	5305-01-072-8816	18	3018491		21
3011716	5305-01-072-9021	22	3018527		21
3011934		6	3018655		25, 35
			3018682		27
			3018835		33
3012332		3	3019061		14
3012473		11	3019077		23
3012479		13	3019116		12
3012480		13	3019174		2
3012497		31	3019180		2
3012526		21	3019186		2
3012537		33	3019192		2
3012972		18	3019198		2
3013001		17	3019204		2
3013607		15	3019218		2
3013691		25	3019573		21
3013692		35	3019955		1
3013786		1, 5, 12	3019956		1
3013786		21	3019957		1
3013904		1, 39	3019958		1
3013930		3	3019959		1
3014103		21	3019960		1
3014149		3	3019962		27, 37
3014443		6	3020479		14
3014935		29	3020523		39
3014979	2815-404-2917	23	3020980		7
3015253		39	3021470		21
3015282		27	3021601		4
3016021		39	3021735		23
3016680		29	3021956		35
3017031		8	3022589		27, 37
3017050		11	3023101		21
3017051		27, 28, 37, 39	3023451		37
3017052		27, 28, 39	3024258		4
3017065		13	3024448		5

INDEX

<u>Part No.</u>	<u>FSN</u>	<u>Page No.</u>	<u>Part No.</u>	<u>FSN</u>	<u>Page No.</u>
3024521		29	3801314		1
3024989		27, 37	5730249	5330-01-039-5314	41
3025198		13	5730251		43
3025459		28, 39	5730252		43
3025460		25	5730253		43
3025890		21	5730254	2030-01-115-2285	43
3026163		29	5730255		43
3026556		21	5730256		43
3026557		21	5730257		43
3026624		29	5730258		43
3027151		18	5730259		43
3027215		8	5730260		43
3027288		1	5730261		43
3027507		29	5730262		43
3027633		25, 35	5730263		43
3027983		11	5730264	5330-01-079-7129	43
3028064		25, 35	5730265		43
3028279		33	5730266		43
3028293		6	5730267		43
3028302		27	11664669	2910-152-2033	41
3028368		27	11664680	4910-477-8276	41
3028370		37	11664681		41
3028790-9093		35	11669185	2910-01-089-3958	43
3028791-3892		25			
3029087		21, 27, 37			
3030038		6			
3030269		27			
3030276		37			
3030269		27			
3030463		21			
3030464		12			
3030506		21			
3030866		17			
3030970		33			
3031137		33			
3031434		13			
3131619		21			
3301954		9			
3301956		9			
3801030		4			
3801260		2			
3801261		2			
3801262		2			
3801263		2			
3801264		2			